

Driver LC 15W 300/350mA fixC SR SNC2

essence series

**Product description**

- _ Independent driver with strain-relief housing
- _ Extra flat housing for constrained installation conditions (small ceiling cut outs and low ceiling voids)
- _ Max. output power 15 W
- _ Output current 300 or 350 mA
- _ For luminaires with M and MM as per EN 60598, VDE 0710 and VDE 0711
- _ Temperature protection as per EN 61347-2-13 C5e
- _ Nominal life-time up to 50,000 h
- _ 5-year guarantee

Properties

- _ Casing: polycarbonate, white
- _ Type of protection IP20
- _ Push-in terminals
- _ 2 separate strain relief parts for input and output cables with highly robust clamps

Functions

- _ Overload protection
- _ Short-circuit protection
- _ No-load protection
- _ No output current overshoot at mains on/off
- _ Burst protection voltage 1 kV
- _ Surge protection voltage 0.5 kV (L to N)
- _ Surge protection voltage 1 kV (L/N to earth)

Typical applications

- _ For spot light and downlight in retail and hospitality applications
- _ For panel light and area light in office and education application

Website

<http://www.tridonic.com/87500747>



Spotlights



Downlights



Linear



Area



Floor | Wall



Free-standing



Street



Decorative

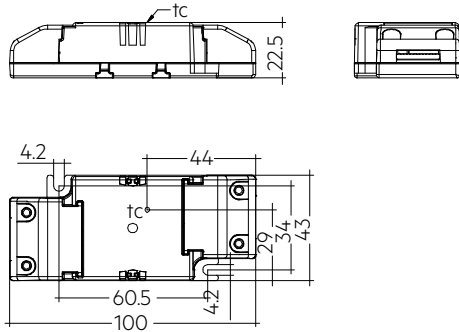


High bay

Driver LC 15W 300/350mA fixC SR SNC2

essence series

The complete data sheet for this product is available in the Downloads section.



Ordering data

Type	Article number	Packaging, carton	Packaging, low volume	Packaging, high volume	Weight per pc.
LC 15/350/43 fixC SR SNC2	87500747	19 pc(s).	703 pc(s).	5,624 pc(s).	0.058 kg

Technical data

Rated supply voltage	220 – 240 V
AC voltage range	198 – 264 V
λ at full load	0.55C
λ at min. load	0.55C
Mains frequency	50 / 60 Hz
Overvoltage protection	320 V AC, 1 h
Leakage current (at 230 V, 50 Hz, full load)	< 450 μ A
THD (at 230 V, 50 Hz, full load)	\leq 150 %
Output current tolerance ^①	\pm 7.5 %
Typical output LF current ripple at full load	\pm 5 %
Starting time (at 230 V, 50 Hz, full load)	\leq 0.5 s
Turn off time (at 230 V, 50 Hz, full load)	\leq 0.5 s
Hold on time at power failure	0 s
Ambient temperature t_a	-25 ... +50 °C
Ambient temperature t_a (at life-time 50,000 h)	40 °C
Storage temperature t_s	-40 ... +80 °C
Dimensions L x W x H	100 x 43 x 22.5 mm

Approval marks



Standards

EN55015, EN 60598-1, EN 61000-3-2, EN 61000-3-3, EN 61347-1, EN 61347-2-13, EN 61547, EN 62384

Specific technical data

Type	Output current ^①	Typ. rated current (at 230 V, 50 Hz, full load)	Max. input power	Typ. power consumption (at 230 V, 50 Hz, full load)	Output power range	Efficiency at full load	Efficiency at min. load ^②	Min. forward voltage ^②	Max. forward voltage ^②	Max. output voltage (U-OUT)	Max. peak output current	Max. casing temperature t_c
LC 15/350/43 fixC SR SNC2	350 mA	0.145 A	18 W	17.7 W	8.8 – 15.1 W	86 %	84 %	25 V	43 V	85 V	400 mA	80 °C

① Output current is mean value.

② Test result at 230 V, 50 Hz.