

Driver LC 19W 350mA fixC Ip SNC2

essence series SELV

**Product description**

- _ Fixed output built-in LED Driver
- _ Constant current LED Driver
- _ Output current 350 mA
- _ Max. output power 18.9 W
- _ Up to 88 % efficiency
- _ For luminaires of protection class I and protection class II
- _ Temperature protection as per EN 61347-2-13 C5e
- _ Nominal life-time up to 50,000 h
- _ 5-year guarantee

Properties

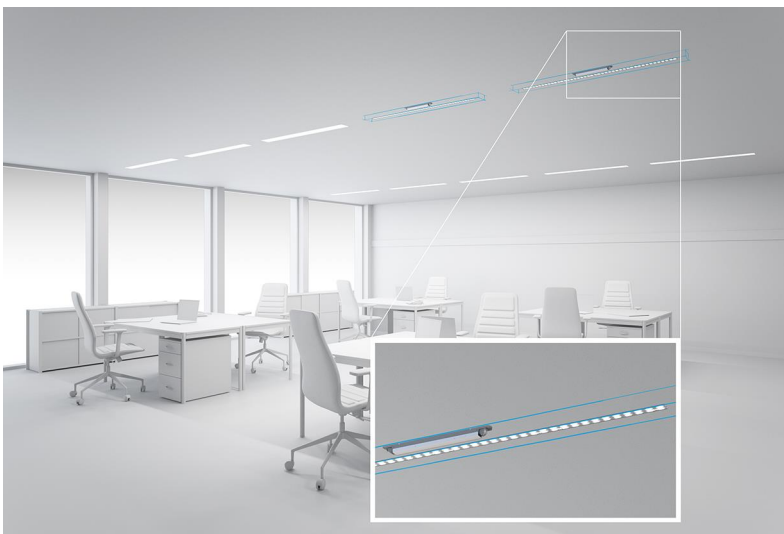
- _ Casing: metal, white
- _ Type of protection IP20

Functions

- _ Overload protection
- _ Short-circuit protection
- _ No-load protection

Website

<http://www.tridonic.com/87500779>



Spotlights



Downlights



Linear



Area



Floor | Wall



Free-standing



Street



Decorative

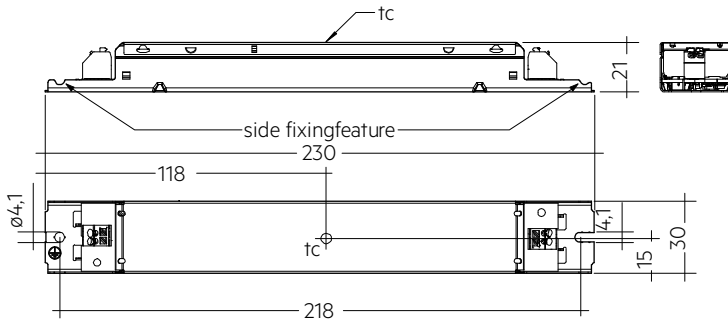


High bay

Driver LC 19W 350mA fixC Ip SNC2

essence series SELV

The complete data sheet for this product is available in the Downloads section.

**Ordering data**

Type	Article number	Packaging, carton	Packaging, low volume	Packaging, high volume	Weight per pc.
LC 19/350/54 fixC Ip SNC2	87500779	50 pc(s).	1,050 pc(s).	3,150 pc(s).	0.118 kg

Technical data

Rated supply voltage	220 – 240 V
AC voltage range	198 – 264 V
Input current (at 230 V, 50 Hz, full load)	0.1 A
Mains frequency	50 / 60 Hz
Leakage current (at 230 V, 50 Hz, full load)	< 450 μ A
Output power range	7 – 18.9 W
THD (at 230 V, 50 Hz, full load)	< 15 %
Output current tolerance ^{①②}	\pm 7.5 %
Output LF current ripple (< 120 Hz)	\pm 10 %
Starting time (at 230 V, 50 Hz, full load)	\leq 0.5 s
Turn off time (at 230 V, 50 Hz, full load)	\leq 0.5 s
Hold on time at power failure (output)	0 s
Ambient temperature t_a	-20 ... +50 °C
Ambient temperature t_a (at life-time 50,000 h)	50 °C
Storage temperature t_s	-40 ... +80 °C
Netz-Burst-Festigkeit	1 kV
Mains surge capability (between L - N)	1 kV
Mains surge capability (between L/N - PE)	2 kV
Surge voltage at output side (against PE)	3 kV
Dimensions L x W x H	230 x 30 x 21 mm
Hole spacing D	218 mm

Approval marks

IP20 SELV       RoHS

Standards

EN 55015, EN 61000-3-2, EN 61000-3-3, EN 61347-1, EN 61347-2-13, EN 61547, EN 62384

Specific technical data

Type	Output current ^①	Max. input power	Typ. power consumption (at 230 V, 50 Hz, full load)	λ at full load ^③	Efficiency at full load ^④	λ at min. load ^③	Efficiency at min. load ^④	Min. forward voltage ^③	Max. forward voltage ^③	Max. output voltage (U-OUT)	Max. peak output current at full load ^③	Max. casing temperature t_c
LC 19/350/54 fixC Ip SNC2	350 mA	22 W	21.5 W	0.9C	88 %	0.77C	83 %	20 V	54 V	60 V	411 mA	65 °C

① Output current is mean value.

② Test result at 50 – 100 % of full load.

③ Test result at 230 V, 50 Hz.

④ The trend between min. and full load is linear.