

Driver LC 35W 800mA fixC SR SNC2 China Domestic  
essence标准版系列

**产品描述**

- \_ 带应变消除外壳的独立 LED 驱动
- \_ 最大输出功率35W
- \_ 输出电流800 mA
- \_ 适用M类和MM类应用环境，符合 EN 60598, VDE 0710, VDE 0711
- \_ 耐热保护符合EN61347-2-13 C5e标准
- \_ 高达30,000小时的额定寿命
- \_ 3年质保

**特性**

- \_ 外壳: PC塑料, 白色
- \_ 安全等级IP20
- \_ 插入式端子
- \_ 2个独立的应力消除部件，用于输入和输出电缆，具有高度坚固的夹具

**功能**

- \_ 过载保护
- \_ 短路保护
- \_ 空载保护
- \_ 电源开关时无输出电流过冲
- \_ 爆炸保护电压 1kV
- \_ 浪涌保护电压 1 千伏 (L 和 N 之间)
- \_ 浪涌保护电压 2 千伏 (L/N 和接地之间)

**Website**

<http://www.tridonic.cn/23000279>



Spotlights



Downlights



Linear



Area



Floor | Wall



Free-standing



Street



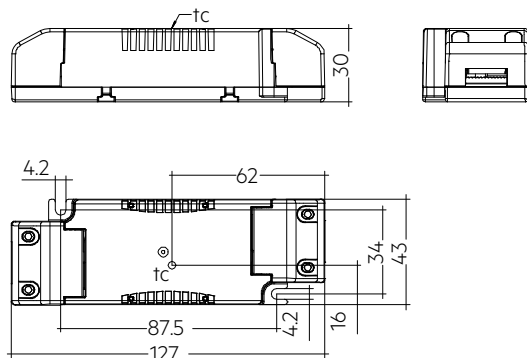
Decorative



High bay

## Driver LC 35W 800mA fixC SR SNC2 China Domestic essence标准版系列

您可以在下载区域找到这一产品的完整数据资料。



### Ordering data

Type	Article number	Packaging, carton	Packaging, low volume	Packaging, high volume	Weight per pc.
LC 35/800/43 fixC SR SNC2	23000279	14 pc(s).	364 pc(s).	2.548 pc(s).	0.111 kg

### Technical data

Rated supply voltage	220 - 240 V
交流电压范围	198 - 264 V
Mains frequency	50 / 60 Hz
Overvoltage protection	320 V AC, 1 h
Leakage current (at 230 V, 50 Hz, full load)	< 450 $\mu$ A
THD (at 230 V, 50 Hz, full load)	$\leq$ 20 %
THD (at 230 V, 50 Hz, min. load)	$\leq$ 20 %
Output current tolerance <sup>①</sup>	$\pm$ 7.5 %
Typical output LF current ripple at full load <sup>②</sup>	$\pm$ 25 %
Starting time (at 230 V, 50 Hz, full load)	$\leq$ 0.5 s
Turn off time (at 230 V, 50 Hz, full load)	$\leq$ 0.5 s
Hold on time at power failure (output)	0 s
环境温度 $t_a$	-20 ... +50 °C
Ambient temperature $t_a$ (at life-time 30,000 h)	40 °C
Storage temperature $t_s$	-40 ... +80 °C
尺寸长 x 宽 x 高	127 x 43 x 30 mm

### Approval marks

IP20 SELV

### Standards

EN 55015, EN 61000-3-2, EN 61000-3-3, EN 61347-1, EN 61347-2-13, EN 61547, EN 60598-1

### Specific technical data

Type	输出电流 <sup>①</sup>	Input current (at 230 V, 50 Hz, full load)	Max. input power	Typ. power consumption (at 230 V, 50 Hz, full load)	Output power range	$\lambda$ at full load	Efficiency at full load <sup>②</sup>	$\lambda$ at min. load	Efficiency at min. load <sup>②</sup>	Min. forward voltage	Max. forward voltage	Max. output voltage (U-OUT)	Max. output peak current at full load <sup>③</sup>	Max. output peak current at min. load <sup>③</sup>	Max. casing temperature $t_c$
LC 35/800/43 fixC SR SNC2	800 mA	0.175 A	40 W	39 W	18.4 - 34.4 W	0.95C	90 %	0.9C	88 %	23 V	43 V	60 V	1.120 mA	1.290 mA	85 °C

<sup>①</sup> Output current is mean value.

- ② Typical value at full load, depend on load's V-I character.
- ③ Test result at 230 V, 50 Hz.
- ④ The trend between min. and full load is linear and depend on load's V-I character.