

**Driver LC 47W 1050mA fixC SC ADV**

advanced series



With strain-relief (see accessory)

**Product description**

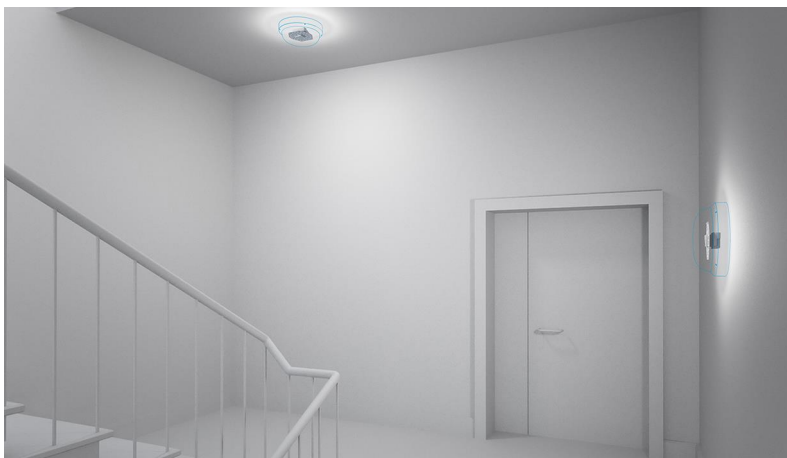
- \_ Fixed output LED Driver
- \_ Can be either used built-in or independent with clip-on strain-relief (see accessory)
- \_ Constant current LED Driver
- \_ Output current 1,050 mA
- \_ Max. output power 47.5 W
- \_ For luminaires of protection class I and protection class II
- \_ Temperature protection as per EN 61347-2-13 C5e
- \_ Independent LED Driver with cable clamps
- \_ Nominal life-time up to 50,000 h
- \_ 5-year guarantee

**Properties**

- \_ Casing: polycarbonate, white
- \_ Type of protection IP20

**Functions**

- \_ Overtemperature protection
- \_ Overload protection
- \_ Short-circuit protection
- \_ No-load protection
- \_ Burst protection voltage 1 kV
- \_ Surge protection voltage 1 kV (L to N)
- \_ Surge protection voltage 2 kV (L/N to earth)

**Website**
<http://www.tridonic.com/28002488>


Spotlights



Downlights



Linear



Area



Floor | Wall



Free-standing



Street



Decorative

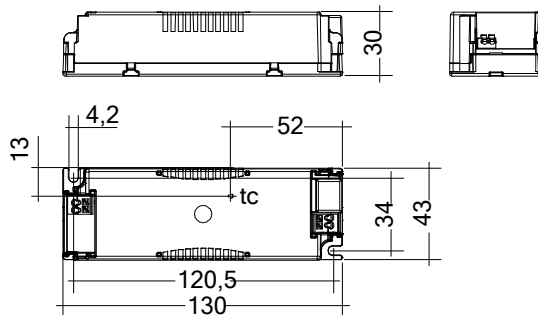


High bay

## Driver LC 47W 1050mA fixC SC ADV

advanced series

The complete data sheet for this product is available in the Downloads section.



## Ordering data

Type	Article number	Packaging, carton	Packaging, pallet	Weight per pc.
LC 47W 1050mA fixC SC ADV	28002488	15 pc(s).	1,560 pc(s).	0.121 kg

## Technical data

Rated supply voltage	220 – 240 V
AC voltage range	198 – 264 V
Mains frequency	50 / 60 Hz
Overvoltage protection	320 V AC, 1 h
THD (at 230 V, 50 Hz, full load)	< 10 %
Output current tolerance <sup>①</sup>	± 7.5 %
Typ. current ripple (at 230 V, 50 Hz, full load)	± 5 %
Max. output voltage (U-OUT)	60 V
Starting time (at 230 V, 50 Hz, full load)	≤ 0.5 s
Turn off time (at 230 V, 50 Hz, full load)	≤ 0.2 s
Hold on time at power failure (output)	0 s
Ambient temperature <i>t</i> <sub>a</sub>	-20 ... +50 °C
Ambient temperature <i>t</i> <sub>a</sub> (at life-time 50,000 h)	40 °C
Storage temperature <i>t</i> <sub>s</sub>	-40 ... +80 °C
Dimensions L x W x H	130 x 43 x 30 mm
Dimensions with strain-relief L x W x H	190 x 43 x 30 mm

## Approval marks



## Standards

EN 55015, EN 61000-3-2, EN 61000-3-3, EN 61347-1, EN 61347-2-13, EN 61547, EN 62384

## Specific technical data

Type	Output current <sup>①</sup>	Input current (at 230 V, 50 Hz, full load)	Input power (at 230 V, 50 Hz, full load)	Output power range	$\lambda$ at full load	Efficiency at full load <sup>②</sup>	$\lambda$ at min. load	Efficiency at min. load <sup>③</sup>	Min. forward voltage	Max. forward voltage	Max. output peak current <sup>③</sup> at full load	Max. output peak current at min. load <sup>③</sup>	Max. casing temperature <i>t</i> <sub>c</sub>
LC 47W 1050mA fixC SC ADV	1,050 mA	0.226 A	53 W	26.5 – 47.5 W	0.95C	90 %	0.9C	85 %	25 V	45 V	1,242 mA	1,367 mA	80 °C

① Output current is mean value.

② Test result at 230 V, 50 Hz.

③ The trend between min. and full load is linear.