

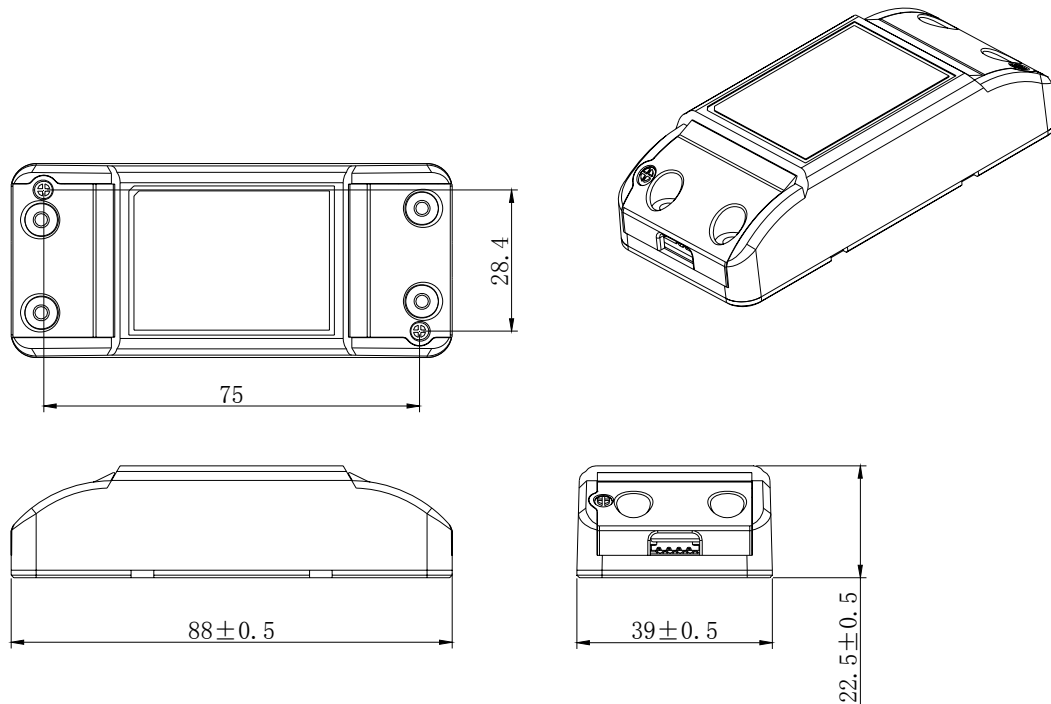
- ▲Input Voltage 100-240VAC
- ▲Protections: short circuit/over load/over voltage
- ▲IP20 Ingress protection
- ▲Power Factor 0.5
- ▲Efficiency  $\geq 81\%$
- ▲Class II, SELV, independent
- ▲3 years warranty



## SPECIFICATION

Input	Rated input voltage	100-240VAC				
	Range of input voltage	90-264VAC				
	Frequency(Hz)	50/60 Hz				
	Power Factor	0.5 $\pm$ 0.05@100-240VAC				
	Input Current max	0.4A MAX @Full Load,90VAC				
	Start-up time	<0.5S				
	Unload Power Consumption	$\leq$ 0.3W				
	Inrush Current	15A MAX. @Full Load,240VAC				
	Leakage Current	<0.5mA(240VAC)				
Output	Constant Current Note.3	120mA	250mA	350mA	...	700mA
	Unload voltage Max.	120VDC	58VDC	45VDC	...	22VDC
	Voltage Range(VDC)	60-100VDC	28-48VDC	21-36VDC	...	10.5-17.5VDC
	Rated load	12W Max.	12W Max.	12.6W Max.	...	12.3W Max.
	Current Accuracy	$\pm$ 5%				
	Voltage Regulation	$\pm$ 3% @Full Load				
	Load Regulation	$\leq$ 3%				
	Hold-up Time	1s max.@Full Load				
	Ripple& Noise Note.2	<12mAp-p	<25mAp-p	<35mAp-p	...	<70mAp-p
	Efficiency	$\geq$ 86%	$\geq$ 86%	$\geq$ 85%	...	$\geq$ 81%
Protection	Over Load Protection	105-120%				
		Protection type: Auto Resume				
	Over Voltage Protection	>120VDC	>58VDC	>45VDC	...	>22VDC
	Protection type: Auto Resume					
	Short circuit Protection	Protection type: Auto Resume				
Environment	Operating Temperature	-10 $^{\circ}$ C...+50 $^{\circ}$ C				
	tc	80 $^{\circ}$ C				
	Storage Temperature	-20 $^{\circ}$ C...+60 $^{\circ}$ C				
	Humidity	10%-90%RH				
	Life time	>30,000h @50 $^{\circ}$ C				
Others	Dimension	88X39X22.5(LXWXH)mm				
Safety & EMC	Safety standards	EN 61347-1; EN61347-2-13				
	Withstand voltage	Input-Output: 3750V/5mA/1min				
	Isolation resistance	Input-Output: $\geq$ 4M $\Omega$ @500VDC				
	EMI	EN55015; EN61000-3-2 Class C; EN61000-3-3				
	EMS	EN 61547;EN 61000-4-2 — Performance Criteria B; EN 61000-4-5 —1000V; Performance Criteria C				
Note	<p>1.All parameters NOT specially mentioned are measured at 240VAC input , rated load and 25<math>^{\circ}</math>C of ambient temperature.</p> <p>2.Ripple &amp; Noise are measured at 20MHz of bandwidth by using a 300mm twisted pair-wire terminated with a 0.1uF &amp; 47 uF parallel capacitor.</p> <p>3.Output current can be 120mA or from 150mA to 700mA and increasing in multiples of 50mA. Please see Model list below and contact EAGLERISE for details.</p>					

## MECHANICAL SPECIFICATIONS



### Model list

Model number	Input			Output			
	Voltage (VAC)	Current	Frequency (Hz)	Constant current (mA)	Normal working voltage (VDC)	No load working voltage (VDC)	P <sub>rated</sub> (W)
EIP012C0120LHS	100-240	0.4	50/60	120	60-100	120	12
EIP012C0150LHS	100-240	0.4	50/60	150	48-80	96	12
EIP012C0200LHS	100-240	0.4	50/60	200	36-60	72	12
EIP012C0250LHS	100-240	0.4	50/60	250	28-48	58	12
EIP012C0300LHS	100-240	0.4	50/60	300	25-42	50	12.6
EIP012C0350LHS	100-240	0.4	50/60	350	23-36	45	12.6
EIP012C0400LHS	100-240	0.4	50/60	400	18-30	37	12
EIP012C0450LHS	100-240	0.4	50/60	450	16-27	34	12.2
EIP012C0500LHS	100-240	0.4	50/60	500	14-24	30	12
EIP012C0550LHS	100-240	0.4	50/60	550	13-22	28	12.1
EIP012C0600LHS	100-240	0.4	50/60	600	12-20	25	12
EIP012C0650LHS	100-240	0.4	50/60	650	11-18.5	23	12
EIP012C0700LHS	100-240	0.4	50/60	700	10.5-17.5	22	12.3