

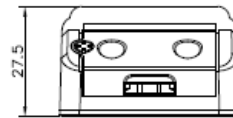
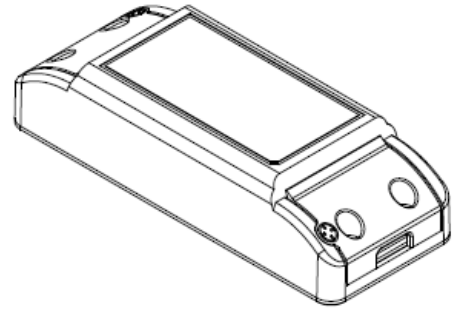
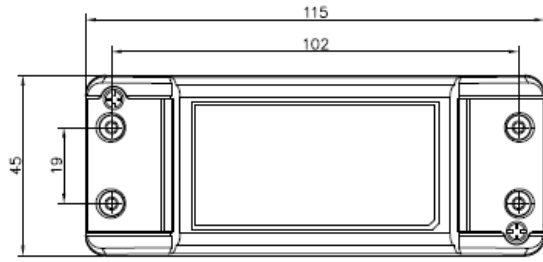
- ▲Input Voltage 220-240VAC
- ▲Protections: short circuit/over load/over voltage
- ▲IP20 Ingress protection
- ▲Power Factor ≥ 0.9
- ▲Efficiency $\geq 88\%$
- ▲Class II, SELV
- ▲3 years warranty



SPECIFICATION

Input	Rated input voltage	220-240VAC					
	Range of input voltage	176-264VAC					
	Frequency(Hz)	50/60 Hz					
	Power Factor	$\geq 0.9@220-240VAC$					
	Input Current max	0.18A MAX. @Full Load,176VAC					
	Start-up time	<0.5S					
	Unload Power Consumption	$\leq 0.5W$					
	Inrush Current	10A MAX. @Full Load,240VAC					
	Leakage Current	<0.5mA(240VAC)					
Output	Constant Current *Note.3	250mA	350mA	500mA	600mA	...	700mA
	Unload voltage Max.	93VDC	72VDC	50VDC	42VDC	...	35VDC
	Voltage Range(VDC)	51-85VDC	36-60VDC	25-42VDC	21-35VDC	...	18-30VDC
	Rated load	21.3W Max.	21W Max.	21W Max.	21W Max.	...	21W Max.
	Current Accuracy	$\pm 5\%$					
	Voltage Regulation	$\leq 3\%$ @Full Load					
	Load Regulation	$\leq 3\%$					
	Hold-up Time	1s max.@Full Load					
	Ripple & Noise *Note.2	<100mAp-p	<140mAp-p	<200mAp-p	<240mAp-p	...	<280mAp-p
	Efficiency	$\geq 88\%$	$\geq 88\%$	$\geq 88\%$	$\geq 88\%$...	$\geq 88\%$
Protection	Over Load Protection	105-120%					
		Protection type: Auto Resume					
	Over Voltage Protection	>93VDC	>72VDC	>50VDC	>42VDC	...	>35VDC
	Protection type: Auto Resume						
	Short circuit Protection	Protection type: Auto Resume					
Environment	Operating Temperature	-10°C...+50°C					
	tc	80°C					
	Storage Temperature	-20°C...+60°C					
	Humidity	10%-90%RH					
	Life time	>30,000h @50°C					
Others	Dimension	115X45X27.5(LXWXH)mm					
Safety & EMC	Safety standards	EN 61347-1; EN61347-2-13					
	Withstand voltage	Input-Output: 3750V/5mA/1min					
	Isolation resistance	Input-Output: $\geq 4M\Omega@500VDC$					
	EMI	EN55015; EN61000-3-2 Class C; EN61000-3-3					
	EMS	EN 61547;EN 61000-4-2 — Performance Criteria B; EN 61000-4-5 —1000V; Performance Criteria C					
Note	<p>1.All parameters NOT specially mentioned are measured at 240VAC input , full load and 25°C of ambient temperature.</p> <p>2.Ripple & Noise are measured at 20MHz of bandwidth by using a 300mm twisted pair-wire terminated with a 0.1uF & 47 uF parallel capacitor.</p> <p>3.Output current can be from 250mA to 700mA and increasing in multiples of 50mA. Please see Model list below and contact EAGLERISE for details.</p>						

MECHANICAL SPECIFICATIONS



Model list:

Model number	Input			Output			
	Voltage (VAC)	Current	Frequency (Hz)	Constant current (mA)	Normal working voltage (VDC)	No load working voltage (VDC)	P _{rated} (W)
EIP021C0250L2	220-240	0.18	50/60	250	51-85	93	21.3
EIP021C0300L2	220-240	0.18	50/60	300	42-70	79	21
EIP021C0350L2	220-240	0.18	50/60	350	36-60	72	21
EIP021C0400L2	220-240	0.18	50/60	400	31.5-52.5	62	21
EIP021C0450L2	220-240	0.18	50/60	450	28-47	56	21.1
EIP021C0500L2	220-240	0.18	50/60	500	25-42	50	21
EIP021C0550L2	220-240	0.18	50/60	550	23-38.5	46	21.2
EIP021C0600L2	220-240	0.18	50/60	600	21-35	42	21
EIP021C0650L2	220-240	0.18	50/60	650	19.5-32.5	40	21.1
EIP021C0700L2	220-240	0.18	50/60	700	18-30	35	21

Note: Output current can be 600mA, 700mA or from 300mA to 500mA and increasing in multiples of 50mA for BIS certified approval.