

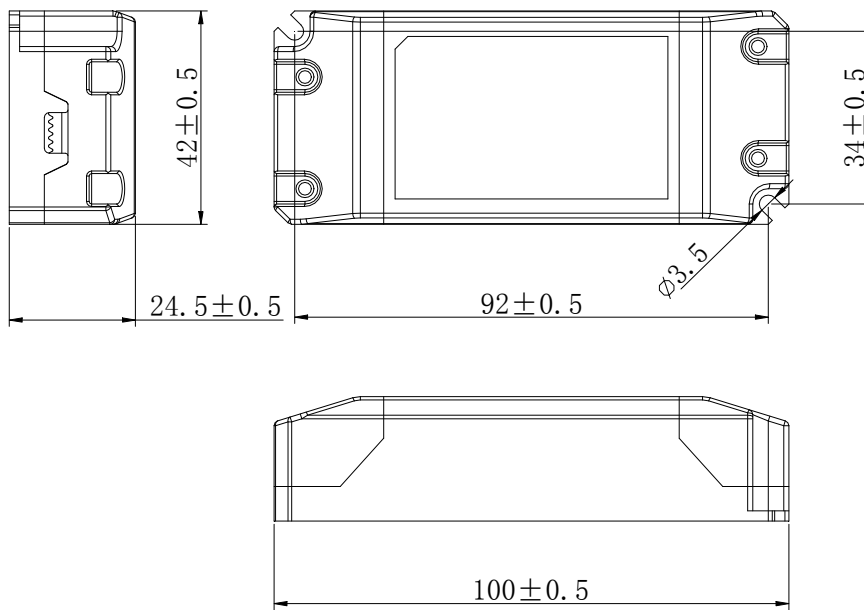
- ▲Input Voltage 220-240VAC
- ▲Protections: short circuit/over load/over voltage
- ▲IP20 Ingress protection
- ▲Power Factor 0.5
- ▲Efficiency  $\geq 85\%$
- ▲Class II, SELV, independent
- ▲Flicker-free design
- ▲3 years warranty



**SPECIFICATION**

Input	Rated input voltage	220-240VAC				
	Range of input voltage	176-264VAC				
	Frequency(Hz)	50/60 Hz				
	Power Factor	0.5±0.05 @220-240VAC				
	Input Current max	0.24A MAX				
	Start-up time	<0.5S				
	Unload Power Consumption	$\leq 0.3W$				
	Inrush Current	20A MAX. @Full Load,240VAC				
	Leakage Current	<0.5mA(240VAC)				
Output	Constant Current Note3	200mA	350mA	500mA	...	700mA
	Unload voltage Max.	96VDC	54VDC	40VDC	...	31VDC
	Voltage Range(VDC)	48-82VDC	27.5-46VDC	19-32VDC	...	13.5-23VDC
	Rated load	16.4W Max.	16.1W Max.	16W Max.	...	16.1W Max.
	Current Accuracy	$\pm 5\%$				
	Voltage Regulation	$\leq 3\%$ @Full Load				
	Load Regulation	$\leq 3\%$				
	Hold-up Time	1s max.@Full Load				
	Ripple& Noise Note.2	<20mAp-p	<35mAp-p	<50mAp-p	...	<70mAp-p
	Efficiency	$\geq 87\%$	$\geq 87\%$	$\geq 86\%$	...	$\geq 85\%$
Protection	Over Load Protection	105-120%				
		Protection type: Auto Resume				
	Over Voltage Protection	>96VDC	>54VDC	>40VDC	...	>31VDC
	Protection type: Auto Resume					
	Short circuit Protection	Protection type: Auto Resume				
Environment	Operating Temperature	-10℃...+50℃				
	tc	80℃				
	Storage Temperature	-20℃...+60℃				
	Humidity	10%-90%RH				
	Life time	>30,000h @50℃				
Others	Dimension	100X42X24.5(LXWXH)mm				
Safety & EMC	Safety standards	EN 61347-1; EN61347-2-13				
	Withstand voltage	Input-Output: 3750V/5mA/1min				
	Isolation resistance	Input-Output: $\geq 4M\Omega$ @500VDC				
	EMI	EN55015; EN61000-3-2 Class A; EN61000-3-3				
	EMS	EN 61547;EN 61000-4-2 — Performance Criteria B; EN 61000-4-5 —1000V; Performance Criteria C				
Note	<p>1.All parameters NOT specially mentioned are measured at 240VAC input , rated load and 25℃ of ambient temperature.</p> <p>2.Ripple &amp; Noise are measured at 20MHz of bandwidth by using a 300mm twisted pair-wire terminated with a 0.1uF &amp; 47 uF parallel capacitor.</p> <p>3.Output current can be from 200mA to 700mA and increasing in multiples of 50mA. Please see Model list below and contact EAGLERISE for details.</p>					

MECHANICAL SPECIFICATIONS



Model list:

Model number	Input: 220- 240Vac, 50/60Hz , 0.24A	Output			
		Constant current (mA)	Voltage (V)	Max. V dc	Prated (W)
EIP016C0200LSS		200	48-82	96	16.4
EIP016C0250LSS		250	38-64	78	16
EIP016C0300LSS		300	32-53.5	64	16.1
EIP016C0350LSS		350	27.5-46	54	16.1
EIP016C0400LSS		400	24-40	48	16
EIP016C0450LSS		450	21.5-36	44	16.2
EIP016C0500LSS		500	19-32	40	16
EIP016C0550LSS		550	17.5-29.5	38	16.2
EIP016C0600LSS		600	16-27	35	16.2
EIP016C0650LSS		650	15-25	33	16.3
EIP016C0700LSS		700	13.5-23	31	16.1

Note:

EIP016CxxxxLSS ('xxxx' is a variable)

'xxxx' is 4 digit number from 0200 to 0700, which represents the output current range in mA in step of 50mA (detailed model list see above), for example, 0200 represents the output current is 200mA, 0700 represents the output current is 700mA.

**DESCRIPTIONS OF CHANGE**

变更项目 ITEM	变更前 BEFORE	变更后 AFTER	版本 VERSION	变更日期 DATE
修正 Note 3			A1	2017-6-29