

**Driver LC 25W 250/300/350mA fixC Ip SNC2**

essence series non-SELV

**Product description**

- \_ Fixed output built-in LED Driver
- \_ Constant current LED Driver
- \_ Output current 250, 300 or 350 mA
- \_ Max. output power 25 W
- \_ Up to 88 % efficiency
- \_ For luminaires of protection class I and protection class II
- \_ Temperature protection as per EN 61347-2-13 C5e
- \_ Nominal life-time up to 50,000 h
- \_ 5-year guarantee

**Properties**

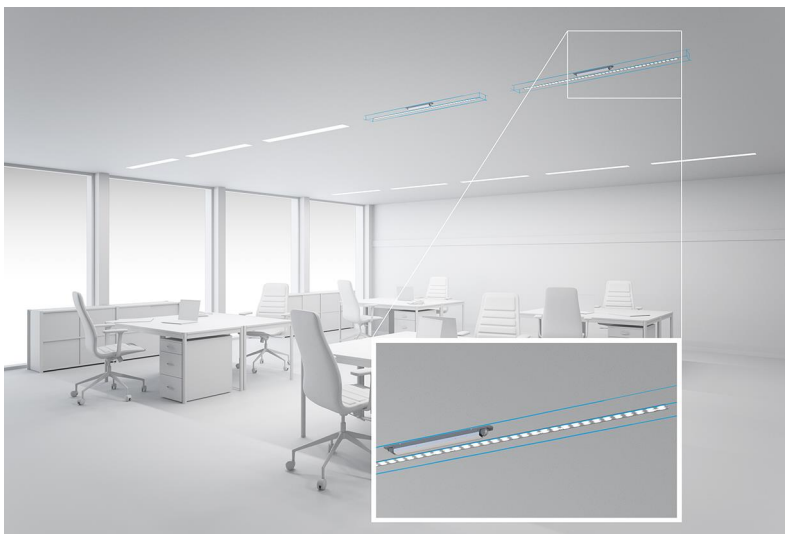
- \_ Casing: metal, white
- \_ Type of protection IP20

**Functions**

- \_ Overload protection
- \_ Short-circuit protection
- \_ No-load protection
- \_ Burst protection voltage 0.5 kV
- \_ Surge protection voltage 1 kV (L to N)
- \_ Surge protection voltage 2 kV (L/N to earth)

**Website**

<http://www.tridonic.com/87500836>



Spotlights



Downlights



Linear



Area



Floor | Wall



Free-standing



Street



Decorative

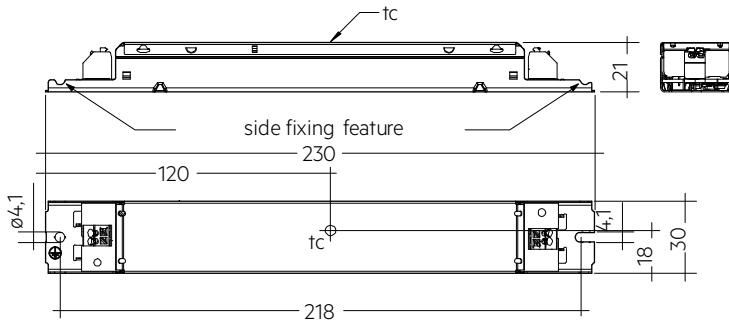


High bay

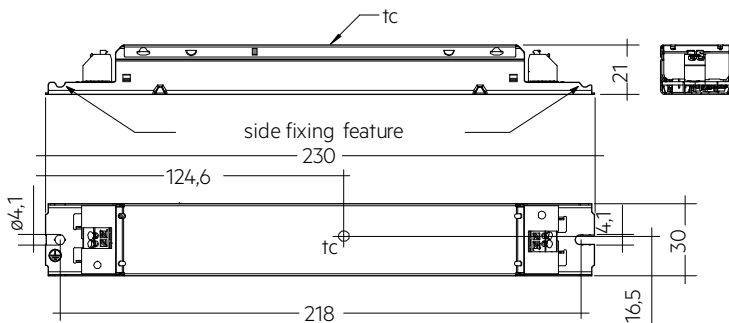
**Driver LC 25W 250/300/350mA fixC Ip SNC2**

essence series non-SELV

The complete data sheet for this product is available in the Downloads section.



LC 25/250/104 fixC Ip SNC2, LC 25/300/85 fixC Ip SNC2



LC 25/350/72 fixC Ip SNC2

**Ordering data**

Type	Article number	Packaging, carton	Packaging, low volume	Packaging, high volume	Weight per pc.
LC 25/300/85 fixC Ip SNC2	87500836	50 pc(s).	1,050 pc(s).	3,150 pc(s).	0.120 kg

**Technical data**

Rated supply voltage	220 – 240 V
AC voltage range	198 – 264 V
Mains frequency	50 / 60 Hz
Leakage current (at 230 V, 50 Hz, full load)	< 450 $\mu$ A
THD (at 230 V, 50 Hz, full load)	< 20 %
Output current tolerance <sup>①</sup>	$\pm$ 7,5 %
Typ. current ripple (at 230 V, 50 Hz, full load)	$\pm$ 5 %
Starting time (at 230 V, 50 Hz, full load)	$\leq$ 0,5 s
Turn off time (at 230 V, 50 Hz, full load)	$\leq$ 0,5 s
Hold on time at power failure (output)	0 s
Ambient temperature $t_a$	-20 ... +50 °C
Ambient temperature $t_a$ (at life-time 50,000 h)	50 °C
Storage temperature $t_s$	-40 ... +80 °C
Netz-Burst-Festigkeit	0,5 kV
Mains surge capability (between L - N)	1 kV
Mains surge capability (between L/N - PE)	2 kV
Surge voltage at output side (against PE)	4 kV
Dimensions L x W x H	230 x 30 x 21 mm
Hole spacing D	218 mm

**Approval marks****Standards**

EN 55015, EN 61000-3-2, EN 61000-3-3, EN 61347-2-13, EN 61547, EN 62384

**Specific technical data**

Type	Output current <sup>①</sup>	Input current (at 230 V, 50 Hz, full load)	Max. input power	Typ. power consumption (at 230 V, 50 Hz, full)	Output power range	$\lambda$ at full load <sup>②</sup>	Efficiency at full load	$\lambda$ at min. load <sup>③</sup>	Efficiency at min. load <sup>③</sup>	Min. forward voltage	Max. forward voltage	Max. output voltage (U-OUT)	Max. peak output current <sup>③</sup>	Max. casing temperature $t_c$
<b>LC 25/300/85 fixC Ip SNC2</b>	300 mA	0.13 A	29 W	28.5 W	12.8 – 25.5 W	0.95C	88 %	0.85C	84 %	42.5 V	85 V	320 V	353 mA	65 °C

① Output current is mean value.

② Test result at 230 V, 50 Hz.

③ The trend between min. and full load is linear.