

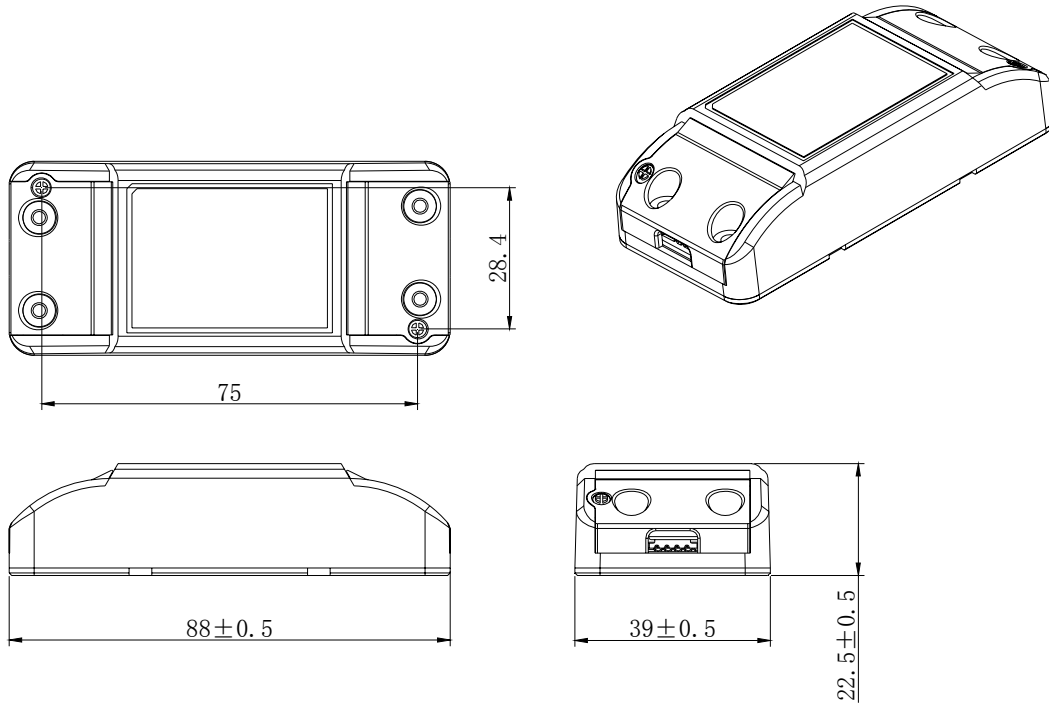
- ▲Input Voltage 100-240VAC
- ▲Protections: short circuit/over load/over voltage
- ▲IP20 Ingress protection
- ▲Power Factor 0.5
- ▲Efficiency $\geq 80\%$
- ▲Class II, SELV
- ▲Flicker-free design
- ▲3 years warranty



SPECIFICATION

Input	Rated input voltage	100-240VAC				
	Range of input voltage	90-264VAC				
	Frequency(Hz)	50/60 Hz				
	Power Factor	0.5±0.05 @100-240VAC				
	Input Current max	0.22A MAX				
	Start-up time	<0.5S				
	Unload Power Consumption	≤0.3W				
	Inrush Current	15A MAX. @Full Load,240VAC				
	Leakage Current	<0.5mA(240VAC)				
Output	Constant Current Note3	120mA	350mA	500mA	...	700mA
	Unload voltage Max.	79VDC	28VDC	21VDC	...	15VDC
	Voltage Range(VDC)	33.5-67VDC	11.5-23VDC	8-16VDC	...	5.6-11.5VDC
	Rated load	8W Max.	8.1W Max.	8W Max.	...	8.1W Max.
	Current Accuracy	±5%				
	Voltage Regulation	≤3% @Full Load				
	Load Regulation	≤3%				
	Hold-up Time	1s max.@Full Load				
	Ripple& Noise Note.2	<12mAp-p	<35mAp-p	<50mAp-p	...	<70mAp-p
	Efficiency	≥80%				
Protection	Over Load Protection	105-120%				
		Protection type: Auto Resume				
	Over Voltage Protection	>79VDC	>28VDC	>21VDC	...	>15VDC
	Protection type: Auto Resume					
	Short circuit Protection	Protection type: Auto Resume				
Environment	Operating Temperature	-10℃...+50℃				
	tc	75℃				
	Storage Temperature	-20℃...+60℃				
	Humidity	10%-90%RH				
	Life time	>30,000h @50℃				
Others	Dimension	88X39X22.5(LXWXH)mm				
Safety & EMC	Safety standards	EN 61347-1; EN61347-2-13				
	Withstand voltage	Input-Output: 3750V/5mA/1min				
	Isolation resistance	Input-Output: ≥4MΩ@500VDC				
	EMI	EN55015; EN61000-3-2 Class C; EN61000-3-3				
	EMS	EN 61547;EN 61000-4-2 — Performance Criteria B; EN 61000-4-5 —500V; Performance Criteria C				
Note	<p>1.All parameters NOT specially mentioned are measured at 240VAC input , rated load and 25℃ of ambient temperature.</p> <p>2.Ripple & Noise are measured at 20MHz of bandwidth by using a 300mm twisted pair-wire terminated with a 0.1uF & 47 uF parallel capacitor.</p> <p>3.Output current can be 120mA, 170mA or from 150mA to 700mA and increasing in multiples of 50mA. Please see Model list below and contact EAGLERISE for details.</p>					

MECHANICAL SPECIFICATIONS



Model list:

MODEL	INPUT	OUTPUT		
	V, A	Constant current mA	V dc	No load Max. V dc
EIP008C0120LHS	100-240Vac, 50/60Hz, 0.22A max.	120	33.5-67.0	79
EIP008C0150LHS		150	26.0-53.5	62
EIP008C0170LHS		170	24.0-47.0	57
EIP008C0200LHS		200	20.0-40.0	48
EIP008C0250LHS		250	16.0-32.0	40
EIP008C0300LHS		300	14.0-28.0	35
EIP008C0350LHS		350	11.5-23.0	28
EIP008C0400LHS		400	10.0-20.0	25
EIP008C0450LHS		450	9.0-18.0	24
EIP008C0500LHS		500	8.0-16.0	21
EIP008C0550LHS		550	7.5-15.0	20
EIP008C0600LHS		600	6.0-13.5	20
EIP008C0650LHS		650	6.0-12.5	16
EIP008C0700LHS		700	5.6-11.5	15