

Constant Current LED Driver



Approval Marks



Certified

EN 61347-1:2015+A1:2018
 EN 61347-2-13:2014+A1:2017
 EN 62384:2006 +A1:2009

Electronic

Parameter	Conditions	Min	Nom	Max	Unit
I/P Voltage Range		220	230	240	Vac
Input Frequency		47	50-60	63	Hz
Input Power		29.5	-	42	W
Input Current		-	-	300	mA
Power Factor		0.9	-	-	
Output Voltage Range	G5S40W700LRP	30	-	42	Vdc
	G5S40W800LRP	30	-	42	Vdc
	G5S40W900LRP	30	-	42	Vdc
	G5S40W1050LRP	30	-	40	Vdc
Output Current Range	G5S40W700LRP	665	700	735	mA
	G5S40W800LRP	760	800	840	mA
	G5S40W900LRP	855	900	945	mA
	G5S40W1050LRP	997.5	1050	1102.5	mA
Rated Output Power	G5S40W700LRP	21	-	29.5	W
	G5S40W800LRP	24	-	33.5	W
	G5S40W900LRP	27	-	38	W
	G5S40W1050LRP	31.5	-	42	W
THD	Full Load @230 Vac	-	-	15	%
Efficiency	Full Load @230 Vac	-	89	-	%
Failure Rate		-	-	-	%
Output Current Tolerance		-	5	-	%
Stand-by Power		-	-	0.5	W
Inrush Current	@220Vac	-	-	91A/2us	A/us
Leakage Current		-	-	0.7	mA
Rise Time		-	-	500	ms
Light to Off		-	-	1	s
Start-up Delay	@230Vac	-	-	500	ms
Ripple Current	Peak to Peak @ Full Load	-	5	-	%
Surge	IEC6100-4-5, Full Load @230V	L/N ,1KV ; L/N-PE , 2KV			
Noise	Environment Base 20db, Distance 15cm	-	-	28	db
Output Current Overshoot	Full Load	-	-	30	%
Protection	Short Circuit Protection				
	Over-voltage Protection		Auto recovery		
	Open-circuit Protection		Max output voltage at no load		
	Short-circuit Protection		Auto recovery		
RoHS Standard			Compliant		
Case Temp. (Tc)		-	-	90	°C
Operating Ambient Temp.		-20	-	50	°C
Operating Humidity Range		10	-	95	°C
Storage Temp. Range		-20	-	85	°C
Lifetime	at Max Case hot spot Temperature	-	50,000	-	hrs
MTBF	@Ta=25°C	-	200,000	-	hrs
Case Dimensions L x W x H	Clear type	73	45	32	mm
	Screw clip type	89	45	32	mm

Constant Current LED Driver



Approval Marks

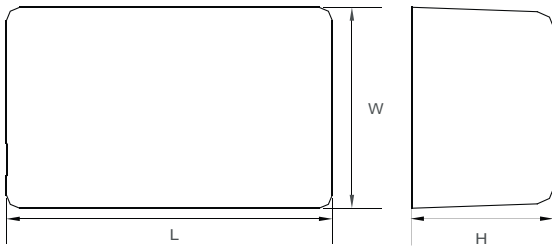


Certified

EN 61347-1:2015+A1:2018
 EN 61347-2-13:2014+A1:2017
 EN 62384:2006 +A1:2009

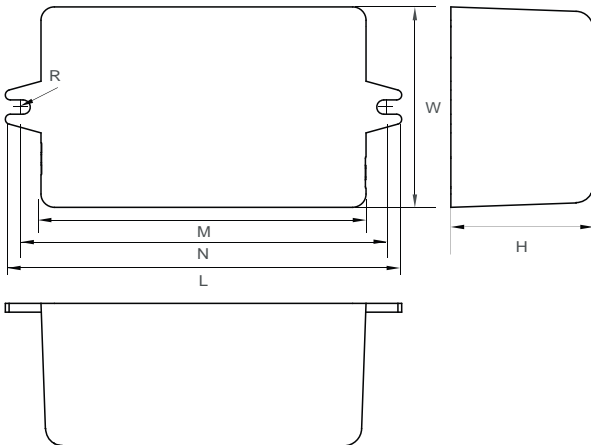
Physical Parameter

Clear type



L : 73 mm H : 32 mm
 W : 45 mm
 Tolerance : $\geq 0 \sim 100 \geq \pm 0.5$ mm
 $100 \geq \pm 1$ mm
 Hard Wires : PRI : Blue / Brown 130mm ,1332 #18
 SEC : Red / Black 235mm , 1332#20
 Housing Material : Polycarbonate / Potting
 Soldering : Lead-Free, Comply With RoHS
 Label : Surface Print

Screw clip type



L : 89 mm N : 81 mm H : 32 mm
 M : 73 mm W : 45 mm R : 1.6 mm
 Tolerance : $\geq 0 \sim 100 \geq \pm 0.5$ mm
 $100 \geq \pm 1$ mm
 Hard Wires : PRI : Blue / Brown 130mm ,1332 #18
 SEC : Red / Black 235mm , 1332#20
 Housing Material : Polycarbonate / Potting
 Soldering : Lead-Free, Comply With RoHS
 Label : Surface Print

Wiring Diagram

