

Driver LC 65W 250/300/350mA fixC Ip SNC2

essence series non-SELV

**Product description**

- _ Fixed output built-in LED Driver
- _ Constant current LED Driver
- _ Output current 250, 300 or 350 mA
- _ Max. output power 65 W
- _ Up to 90 % efficiency
- _ For luminaires of protection class I and protection class II
- _ Temperature protection as per EN 61347-2-13 C5e
- _ Nominal life-time up to 50,000 h
- _ 5-year guarantee

Properties

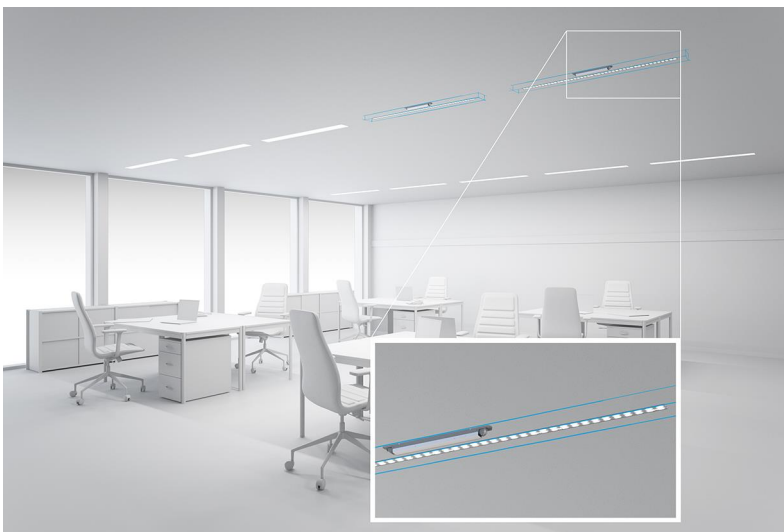
- _ Casing: metal, white
- _ Type of protection IP20

Functions

- _ Overload protection
- _ Short-circuit protection
- _ No-load protection
- _ Burst protection voltage 0.5 kV
- _ Surge protection voltage 1 kV (L to N)
- _ Surge protection voltage 2 kV (L/N to earth)

Website

<http://www.tridonic.com/87500845>



Spotlights



Downlights



Linear



Area



Floor | Wall



Free-standing



Street



Decorative

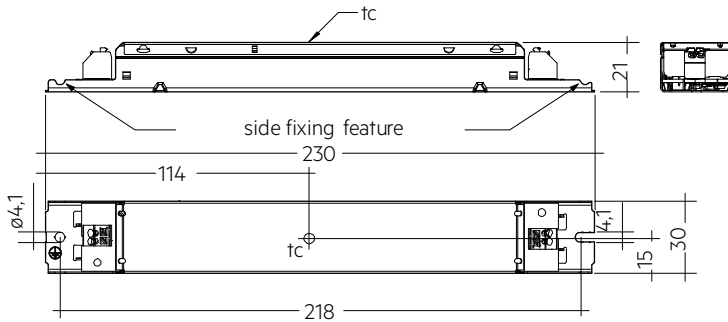


High bay

Driver LC 65W 250/300/350mA fixC Ip SNC2

essence series non-SELV

The complete data sheet for this product is available in the Downloads section.

**Ordering data**

Type	Article number	Packaging, carton	Packaging, low volume	Packaging, high volume	Weight per pc.
LC 65/300/217 fixC Ip SNC2	87500845	50 pc(s).	1,050 pc(s).	3,150 pc(s).	0.157 kg

Technical data

Rated supply voltage	220 – 240 V
AC voltage range	198 – 264 V
Mains frequency	50 / 60 Hz
Leakage current (at 230 V, 50 Hz, full load)	< 450 µA
THD (at 230 V, 50 Hz, full load)	< 20 %
Output current tolerance ^①	± 7.5 %
Typ. current ripple (at 230 V, 50 Hz, full load)	± 5 %
Starting time (at 230 V, 50 Hz, full load)	≤ 0.5 s
Turn off time (at 230 V, 50 Hz, full load)	≤ 0.5 s
Hold on time at power failure (output)	0 s
Ambient temperature <i>t</i> _a	-20 ... +50 °C
Ambient temperature <i>t</i> _a (at life-time 50,000 h)	50 °C
Storage temperature <i>t</i> _s	-40 ... +80 °C
Netz-Burst-Festigkeit	0.5 kV
Mains surge capability (between L - N)	1 kV
Mains surge capability (between L/N - PE)	2 kV
Surge voltage at output side (against PE)	4 kV
Life-time	up to 50,000 h
Dimensions L x W x H	230 x 30 x 21 mm
Hole spacing D	218 mm

Approval marks**Standards**

EN 55015, EN 61000-3-2, EN 61000-3-3, EN 61347-2-13, EN 61547, EN 62384

Specific technical data

Type	Output current ^①	Input current (at 230 V, 50 Hz, full load)	Max. input power	Typ. power consumption (at 230 V, 50 Hz, full load)	Output power range	λ at full load ^②	Efficiency at full load ^③	λ at min. load ^④	Efficiency at min. load ^⑤	Min. forward voltage	Max. forward voltage	Max. output voltage (U-OUT)	Max. peak output current ^⑥	Max. casing temperature <i>t</i> _c
LC 65/300/217 fixC Ip SNC2	300 mA	0.31 A	70.3 W	70.1 W	32.6 – 65.1 W	0.95C	90 %	0.9C	87 %	108.5 V	217 V	320 V	355 mA	80 °C

- ① Output current is mean value.
- ② Test result at 230 V, 50 Hz.
- ③ The trend between min. and full load is linear.