

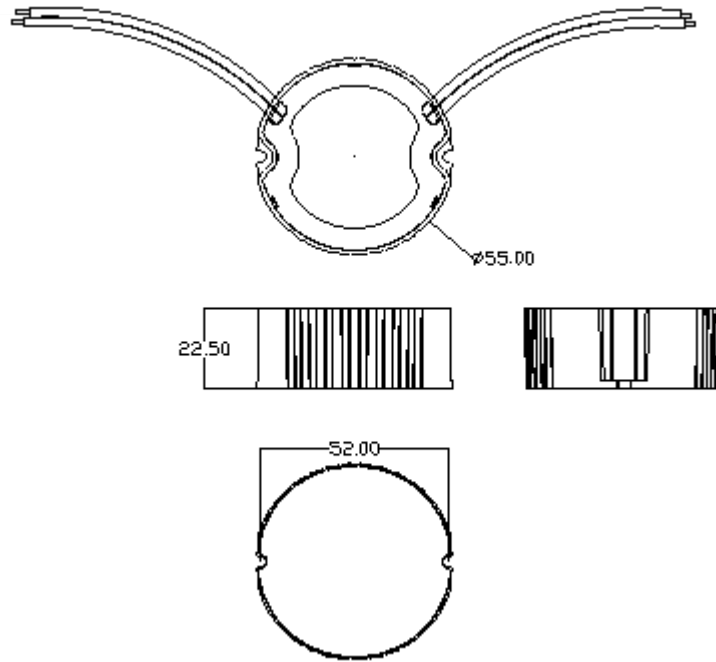
- ▲Input Voltage 100-240VAC
- ▲Protections: short circuit/over load/over voltage
- ▲IP65 Ingress protection
- ▲Power Factor ≥ 0.9
- ▲Efficiency $\geq 83\%$
- ▲Class II, SELV
- ▲3 years warranty



SPECIFICATION

Input	Rated input voltage	100-240VAC				
	Range of input voltage	90-264VAC				
	Frequency(Hz)	50/60 Hz				
	Power Factor	$\geq 0.9@100-240VAC$				
	Input Current max	0.19A MAX. @Full Load,90VAC				
	Start-up time	<0.5S				
	Unload Power Consumption	$\leq 0.3W$				
	Inrush Current	10A MAX. @Full Load,240VAC				
	Leakage Current	<0.5mA(240VAC)				
Output	Constant Current *Note.3	200mA	350mA	500mA	...	700mA
	Unload voltage Max.	69VDC	40VDC	29VDC	...	24VDC
	Voltage Range(VDC)	36-60VDC	20.5-34.5VDC	14-24VDC	...	10.5-17.5VDC
	Rated load	12W Max.	12.1W Max.	12W Max.	...	12.3W Max.
	Current Accuracy	$\pm 5\%$				
	Voltage Regulation	$\pm 3\%$ @Full Load				
	Load Regulation	$\leq 3\%$				
	Hold-up Time	1s max.@Full Load				
	Ripple& Noise *Note.2	<80mAp-p	<140mAp-p	<200mAp-p	...	<280mAp-p
	Efficiency	$\geq 86\%$	$\geq 86\%$	$\geq 84\%$...	$\geq 83\%$
Protection	Over Load Protection	105-120% Protection type: Auto Resume				
	Over Voltage Protection	>69VDC	>40VDC	>29VDC	...	>24VDC
	Short circuit Protection	Protection type: Auto Resume				
Environment	Operating Temperature	-10℃...+50℃				
	tc	75℃				
	Storage Temperature	-20℃...+60℃				
	Humidity	10%-90%RH				
	Life time	>30,000h @50℃				
Others	Dimension	Φ55X22.5mm				
Safety & EMC	Safety standards	EN 61347-1; EN61347-2-13				
	Withstand voltage	Input-Output: 3750V/5mA/1min				
	Isolation resistance	Input-Output: $\geq 4M\Omega@500VDC$				
	EMI	EN55015; EN61000-3-2 Class C; EN61000-3-3				
	EMS	EN 61547;EN 61000-4-2 — Performance Criteria B; EN 61000-4-5 —1000V; Performance Criteria C				
Note	<p>1.All parameters NOT specially mentioned are measured at 240VAC input , full load and 25℃ of ambient temperature.</p> <p>2.Ripple & Noise are measured at 20MHz of bandwidth by using a 300mm twisted pair-wire terminated with a 0.1uF & 47 uF parallel capacitor.</p> <p>3.Output current can be from 200mA to 700mA and increasing in multiples of 50mA. Please see Model list below and contact EAGLERISE for details.</p>					

MECHANICAL SPECIFICATIONS



Model list

Model number	Input			Output			
	Voltage (VAC)	Current	Frequency (Hz)	Constant current (mA)	Normal working voltage (VDC)	No load working voltage (VDC)	P_{rated} (W)
EBP012C0200CHP	100-240	0.19	50/60	200	36-60	69	12
EBP012C0250CHP	100-240	0.19	50/60	250	29-48	56	12
EBP012C0300CHP	100-240	0.19	50/60	300	24-40	46	12
EBP012C0350CHP	100-240	0.19	50/60	350	20.5-34.5	40	12.1
EBP012C0400CHP	100-240	0.19	50/60	400	18-30	35	12
EBP012C0450CHP	100-240	0.19	50/60	450	16-27	32	12.2
EBP012C0500CHP	100-240	0.19	50/60	500	14-24	29	12
EBP012C0550CHP	100-240	0.19	50/60	550	13-22	27	12.1
EBP012C0600CHP	100-240	0.19	50/60	600	12-20	25	12
EBP012C0650CHP	100-240	0.19	50/60	650	11-18.5	24	12
EBP012C0700CHP	100-240	0.19	50/60	700	10.5-17.5	24	12.3

Note: Output current can be from 350mA to 700mA and increasing in multiples of 50mA for BIS certified approval.