

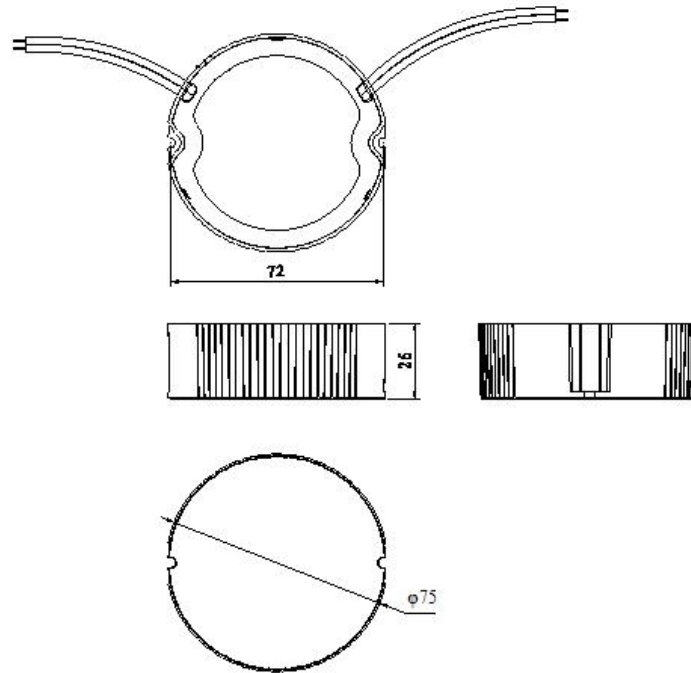
- ▲Input Voltage 100-240VAC
- ▲Protections: short circuit/over load/over voltage/over temperature
- ▲IP65 Ingress protection
- ▲Power Factor ≥ 0.9
- ▲Efficiency $\geq 84\%$
- ▲Class II, SELV
- ▲3 years warranty



SPECIFICATION

Input	Rated input voltage	100-240VAC					
	Range of input voltage	90-264VAC					
	Frequency(Hz)	50/60 Hz					
	Power Factor	$\geq 0.9@100-240VAC$					
	Input Current max	0.38A MAX. @Full Load,90VAC					
	Start-up time	<0.5S					
	Unload Power Consumption	$\leq 1W$					
	Inrush Current	10A MAX. @Full Load,240VAC					
	Leakage Current	<0.5mA(240VAC)					
Output	Constant Current *Note.3	350mA	500mA	700mA	1000mA	...	1200mA
	Unload voltage Max.	84VDC	62VDC	46VDC	35VDC	...	30VDC
	Voltage Range(VDC)	47.5-72.5VDC	33-50VDC	24-36VDC	16.5-25VDC	...	14-21VDC
	Rated load	25.4W Max.	25W Max.	25.2W Max.	25W Max.	...	25.2W Max.
	Current Accuracy	$\pm 5\%$					
	Voltage Regulation	$\pm 3\%$ @Full Load					
	Load Regulation	$\leq 3\%$					
	Hold-up Time	1s max.@Full Load					
	Ripple & Noise *Note.2	<140mAp-p	<200mAp-p	<280mAp-p	<400mAp-p	...	<480mAp-p
	Efficiency	$\geq 86\%$	$\geq 86\%$	$\geq 87\%$	$\geq 86\%$...	$\geq 84\%$
Protection	Over Load Protection	105-120%					
		Protection type: Auto Resume					
	Over Voltage Protection	>84VDC	>62VDC	>46VDC	>35VDC	...	>30VDC
		Protection type: Auto Resume					
	Short circuit Protection	Protection type: Auto Resume					
	Over Temperature protection	Protection type: Auto Resume					
Environment	Operating Temperature	-10°C...+50°C					
	tc	85°C					
	Storage Temperature	-20°C...+60°C					
	Humidity	10%-90%RH					
	Life time	>30,000h @50°C					
Others	Dimension	$\Phi 75 \times 26 \text{mm}$					
Safety & EMC	Safety standards	EN 61347-1; EN61347-2-13					
	Withstand voltage	Input-Output: 3750V/5mA/1min					
	Isolation resistance	Input-Output: $\geq 4M\Omega@500VDC$					
	EMC standards	EN55015; EN61000-3-2 Class C; EN61000-3-3					
	EMS	EN 61547; EN 61000-4-2 — Performance Criteria B; EN 61000-4-5 —1000V; Performance Criteria C					
Note	<p>1.All parameters NOT specially mentioned are measured at 240VAC input , full load and 25°C of ambient temperature.</p> <p>2.Ripple & Noise are measured at 20MHz of bandwidth by using a 300mm twisted pair-wire terminated with a 0.1uF & 47 uF parallel capacitor.</p> <p>3.Output current can be from 350mA to 1200mA and increasing in multiples of 50mA. Please see Model list below and contact EAGLERISE for details.</p>						

MECHANICAL SPECIFICATIONS



Model list

Model number	Input			Output			
	Voltage (VAC)	Current	Frequency (Hz)	Constant current (mA)	Normal working voltage (VDC)	No load working voltage (VDC)	P _{rated} (W)
EBP025C0350CHP	100-240	0.38	50/60	350	47.5-72.5	84	25.4
EBP025C0400CHP	100-240	0.38	50/60	400	41.5-62.5	73	25
EBP025C0450CHP	100-240	0.38	50/60	450	37-56	68	25.2
EBP025C0500CHP	100-240	0.38	50/60	500	33-50	62	25
EBP025C0550CHP	100-240	0.38	50/60	550	30-45.5	56	25
EBP025C0600CHP	100-240	0.38	50/60	600	28-42	52	25.2
EBP025C0650CHP	100-240	0.38	50/60	650	26-38.5	49	25
EBP025C0700CHP	100-240	0.38	50/60	700	24-36	46	25.2
EBP025C0750CHP	100-240	0.38	50/60	750	22-33.5	44	25.1
EBP025C0800CHP	100-240	0.38	50/60	800	21-31.5	42	25.2
EBP025C0850CHP	100-240	0.38	50/60	850	19.5-29.5	40	25.1
EBP025C0900CHP	100-240	0.38	50/60	900	18.5-28	38	25.2
EBP025C0950CHP	100-240	0.38	50/60	950	17.5-26.5	37	25.2
EBP025C1000CHP	100-240	0.38	50/60	1000	16.5-25	35	25
EBP025C1050CHP	100-240	0.38	50/60	1050	16-24	34	25.2
EBP025C1100CHP	100-240	0.38	50/60	1100	15-23	32	25.3
EBP025C1150CHP	100-240	0.38	50/60	1150	14.5-22	31	25.3
EBP025C1200CHP	100-240	0.38	50/60	1200	14-21	30	25.2

Note: Output current can be from 350mA to 700mA and increasing in multiples of 50mA for BIS certified approval.