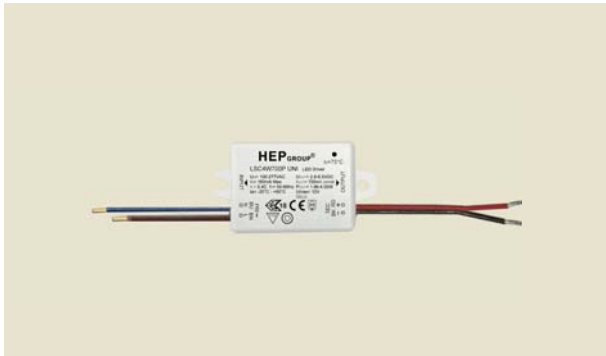


Constant Current LED Driver



Approval Marks



Certified

EN 61347-1:2007+A1+A2 EN 55015:2013
 EN 61347-2-13:2014 EN 61000-3-2:2006+A1+A2
 EN 62384:2006+A1 EN 61000-3-3:2013
 EN 61547:2009
 EN 62493:2010

Electronic

Parameter	Conditions	Min	Nom	Max	Unit
I/P Voltage Range		90	100-277	305	Vac
Input Frequency		47	50-60	63	Hz
Input current	Full Load @ 100/277 VAC	-	-	160/60	mA
Output Voltage Range	LSC4W350P UNI	8	-	13	Vdc
	LSC4W500P UNI	5.5	-	9.5	Vdc
	LSC4W700P UNI	2.8	-	6.5	Vdc
Output Current Range	LSC4W350P UNI	332	350	368	mA
	LSC4W500P UNI	475	500	525	mA
	LSC4W700P UNI	665	700	735	mA
Rated Output power	LSC4W350P UNI	2.8	-	4.55	W
	LSC4W500P UNI	2.75	-	4.75	W
	LSC4W700P UNI	1.96	-	4.55	W
THD	Full load @ 100/277 VAC	-	-	120/200	%
Efficiency	Full Load	-	65	-	%
Standby Power		-	-	0.5	W
Start-up Delay		-	1.2	-	S
Ripple current	Edison 3W LED module peak to peak @ full load	-	18	-	%
Output Current Overshoot		-	-	35	%
Power Factor	Full Load@100/277VAC	0.60/0.40	-	-	-
Protection		Short Circuit Protection			
		Overload Protection			
		Overheat Protection			
RoHS Standard		Compliant			
Case Temp. (Tc)	LSC4W350P UNI / LSC4W700P UNI	-	-	75	°C
	LSC4W500P UNI	-	-	80	°C
External Operating Temperature		-20	-	+50	°C
Operating humidity range		10	-	90	%
Storage Temp. range		-25	-	+85	°C
Lifetime	at Max Case hot spot Temperature	-	-	30,000	hrs
Case Dimensions	L x W x H	49	27.2	20	mm

Constant Current LED Driver



Approval Marks

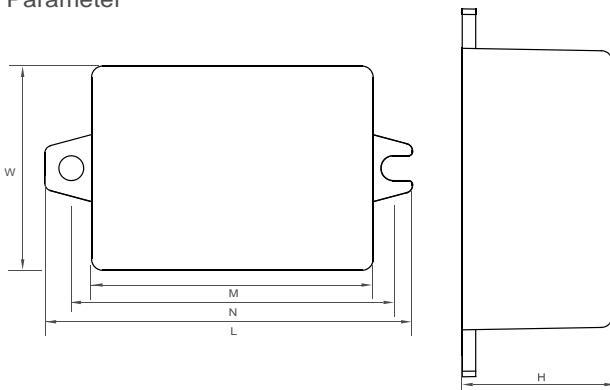


Certified

EN 61347-1:2007+A1+A2	EN 55015:2013
EN 61347-2-13:2014	EN 61000-3-2:2006+A1+A2
EN 62384:2006+A1	EN 61000-3-3:2013
	EN 61547:2009
	EN 62493:2010

Physical

Parameter



L : 49 mm H : 20 mm
M : 37.5 mm
N : 42.9 mm
W : 27.2 mm

Tolerance : $\geq 0 \sim 100 \geq \pm 0.5\text{mm}$
 $100 > \pm 1 \text{ mm}$

Terminal Block : Hard Wires : PRI : Blue 3736#20 262mm
Brown 3736#20 230mm
SEC: Red / Black 4384#22 190mm

Housing Material : Polycarbonate/ Potting
Soldering : Lead-Free, Comply With RoHS
Label : Surface Print

Wiring Diagram

