

**Driver LCA 21W 300-500mA flexC PH-C SR ADV**

advanced series

**Product description**

- \_ Dimmable constant current LED Driver (SELV)
- \_ Independent LED Driver with cable clamps
- \_ Dimmable via leading edge and trailing edge phase dimmers
- \_ Dimming range 5 to 100 % (depending on dimmer)
- \_ For luminaires of protection class I and protection class II
- \_ For luminaires with M and MM as per EN 60598, VDE 0710 and VDE 0711
- \_ Temperature protection as per EN 61347-2-13 C5e
- \_ Selectable output current between 300, 450 and 500 mA
- \_ Max. output power 21 W
- \_ Up to 82 % efficiency
- \_ Nominal life-time up to 50,000 h
- \_ 5-year guarantee

**Housing properties**

- \_ Casing: polycarbonate, white
- \_ Type of protection IP20

**Interfaces**

- \_ Terminal blocks: 0° screw terminals

**Functions**

- \_ Overload protection
- \_ Short-circuit protection
- \_ No-load protection
- \_ Overtemperature protection
- \_ Burst protection voltage 1 kV
- \_ Surge protection voltage 1 kV (L to N)
- \_ Surge protection voltage 2 kV (L/N to earth)

**Website**

<http://www.tridonic.com/87500603>



Spotlights



Downlights



Linear



Area



Floor | Wall



Free-standing



Street



Decorative

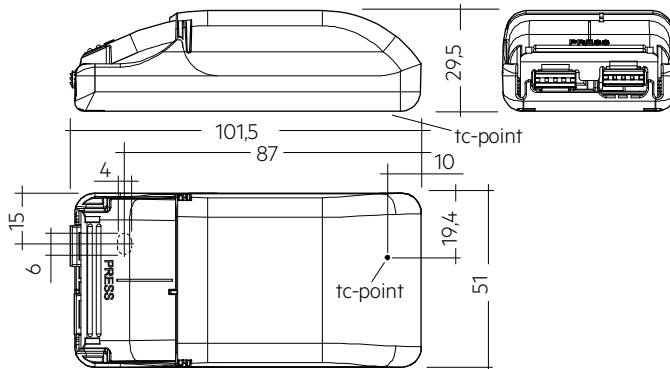


High bay

**Driver LCA 21W 300-500mA flexC PH-C SR ADV**

advanced series

The complete data sheet for this product is available in the Downloads section.

**Ordering data**

Type	Article number	Packaging, carton	Packaging, low volume	Packaging, high volume	Weight per pc.
LCA 21W 300-500mA flexC PH-C SR ADV	87500603	20 pc(s).	280 pc(s).	3,360 pc(s).	0.093 kg

**Technical data**

Rated supply voltage	220 – 240 V
AC voltage range	198 – 264 V
Max. input current (at 230 V, 50 Hz, full load)	0.11 A
Leakage current (at 230 V, 50 Hz, full load)	< 500 $\mu$ A
Mains frequency	50 Hz
Overvoltage protection	320 V AC, 1 h
Max. input power	26 W
Typ. power consumption (at 230 V, 50 Hz, full load) <sup>①</sup>	25 W
Min. output power	8.4 W
Max. output power	21 W
Typ. efficiency (at 230 V, 50 Hz, full load) <sup>①</sup>	82 %
$\lambda$ (at 230 V, 50 Hz, full load) <sup>①</sup>	0.95
Output current tolerance <sup>②③</sup>	$\pm$ 7.5 %
Max. output current peak <sup>③</sup>	Output current + 40 %
Max. output voltage (U-OUT)	60 V
THD (at 230 V, 50 Hz, full load)	< 10 %
Output LF current ripple (< 120 Hz)	$\pm$ 30 %
Starting time (at 230 V, 50 Hz, full load)	$\leq$ 0.5 s
Turn off time (at 230 V, 50 Hz, full load)	$\leq$ 0.5 s
Hold on time at power failure (output)	0 s
Ambient temperature $t_a$ (at life-time 50,000 h)	40 $^{\circ}$ C
Storage temperature $t_s$	-40 ... +80 $^{\circ}$ C
Life-time	up to 50,000 h
Dimensions L x W x H	101.5 x 51 x 29.5 mm

**Approval marks**

IP20 SELV        

**Standards**

EN 55015, EN 60598-1, EN 61000-3-2, EN 61000-3-3, EN 61347-1, EN 61347-2-13, EN 61547, EN 62384

## Specific technical data

Type	Output current <sup>②</sup>	Min. forward voltage	Max. forward voltage	Max. output power	Typ. power consumption (at 230 V, 50 Hz, full load)	Typ. current consumption (at 230 V, 50 Hz, full load)	tc point max.	Ambient temperature ta	I-out select
<b>LCA 21W 300-500mA flexC PH-C SR ADV</b>	300 mA	28 V	42 V	12.6 W	15.0 W	67 mA	90 °C	-20 ... +50 °C	+LED / -300mA
<b>LCA 21W 300-500mA flexC PH-C SR ADV</b>	450 mA	28 V	42 V	18.9 W	22.5 W	100 mA	90 °C	-20 ... +50 °C	+LED / -450mA
<b>LCA 21W 300-500mA flexC PH-C SR ADV</b>	500 mA	28 V	42 V	21.0 W	25.0 W	110 mA	90 °C	-20 ... +50 °C	+LED / -500mA

① Test result at 500 mA.

② Output current is mean value.

③ Test result at 25 °C.