

Driver LC 50W 250/300/350mA fixC Ip SNC2

essence series non-SELV

**Product description**

- _ Fixed output built-in LED Driver
- _ Constant current LED Driver
- _ For luminaires of protection class I and protection class II
- _ Temperature protection as per EN 61347-2-13 C5e
- _ Output current 250, 300 or 350 mA
- _ Max. output power 50 W
- _ Up to 91 % efficiency
- _ Nominal life-time up to 50,000 h
- _ 5-year guarantee

Housing properties

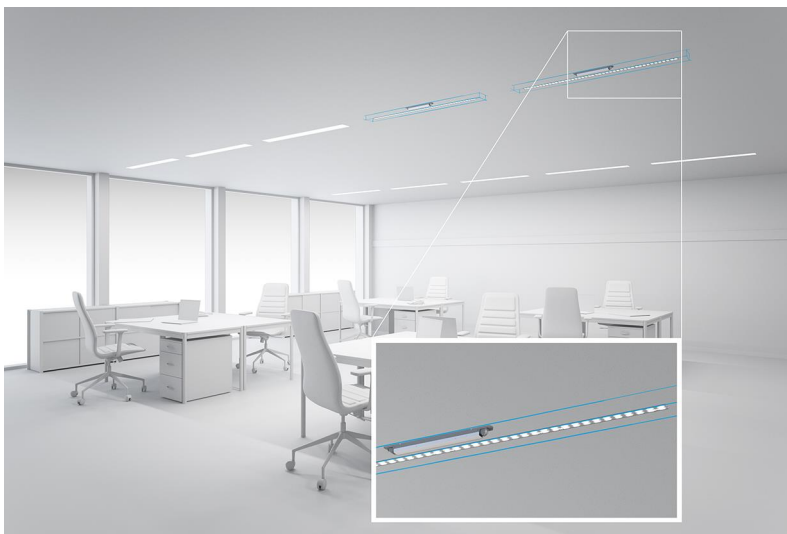
- _ Casing: metal, white
- _ Type of protection IP20

Functions

- _ Overload protection
- _ Short-circuit protection
- _ No-load protection
- _ Burst protection voltage 0.5 kV
- _ Surge protection voltage 1 kV (L to N)
- _ Surge protection voltage 2 kV (L/N to earth)

Website

<http://www.tridonic.com/87500841>



Spotlights



Downlights



Linear



Area



Floor | Wall



Free-standing



Street



Decorative

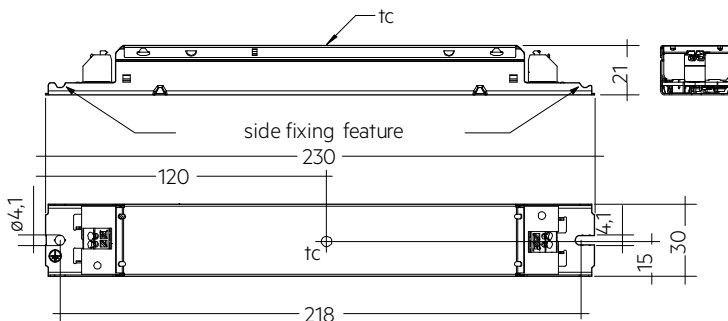


High bay

Driver LC 50W 250/300/350mA fixC Ip SNC2

essence series non-SELV

The complete data sheet for this product is available in the Downloads section.



Ordering data

Type	Article number	Packaging, carton	Packaging, low volume	Packaging, high volume	Weight per pc.
LC 50/250/200 fixC Ip SNC2	87500841	50 pc(s).	1,050 pc(s).	3,150 pc(s).	0.151 kg

Technical data

Rated supply voltage	220 – 240 V
AC voltage range	198 – 264 V
Mains frequency	50 / 60 Hz
Leakage current (at 230 V, 50 Hz, full load)	< 450 μ A
THD (at 230 V, 50 Hz, full load)	< 20 %
Output current tolerance ^①	\pm 7.5 %
Typ. current ripple (at 230 V, 50 Hz, full load)	\pm 5 %
Starting time (at 230 V, 50 Hz, full load)	\leq 0.5 s
Turn off time (at 230 V, 50 Hz, full load)	\leq 0.5 s
Hold on time at power failure (output)	0 s
Ambient temperature t_a	-20 ... +50 °C
Ambient temperature t_a (at life-time 50,000 h)	50 °C
Storage temperature t_s	-40 ... +80 °C
Mains burst capability	0.5 kV
Mains surge capability (between L - N)	1 kV
Mains surge capability (between L/N - PE)	2 kV
Surge voltage at output side (against PE)	4 kV
Life-time	up to 50,000 h
Dimensions L x W x H	230 x 30 x 21 mm
Hole spacing D	218 mm

Approval marks



Standards

EN 55015, EN 61000-3-2, EN 61000-3-3, EN 61347-2-13, EN 61547, EN 62384

Specific technical data

Type	Output current ^①	Input current I_{in} at 230 V, 50 Hz, full load	Max. input power	Typ. power consumption P_{in} at 230 V, 50 Hz, full	Output power range	λ at full load ^②	Efficiency at full load ^③	λ at min. load ^④	Efficiency at min. load ^⑤	Min. forward voltage	Max. forward voltage	Max. output voltage (U-OUT)	Max. peak output current ^⑥	Max. casing temperature t_c
LC 50/250/200 fixC Ip SNC2	250 mA	240 mA	54.2 W	53.6 W	25.0 – 50 W	0.95	90 %	0.9C	87 %	100.0 V	200 V	320 V	293 mA	75 °C

- ① Output current is mean value.
- ② Test result at 230 V, 50 Hz.
- ③ The trend between min. and full load is linear.