

**Driver LC 35W 250/300/350mA fixC Ip SNC2**

essence series non-SELV

**Product description**

- \_ Fixed output built-in LED Driver
- \_ Constant current LED Driver
- \_ For luminaires of protection class I and protection class II
- \_ Temperature protection as per EN 61347-2-13 C5e
- \_ Output current 250, 300 or 350 mA
- \_ Max. output power 35 W
- \_ Up to 90 % efficiency
- \_ Nominal life-time up to 50,000 h
- \_ 5-year guarantee

**Housing properties**

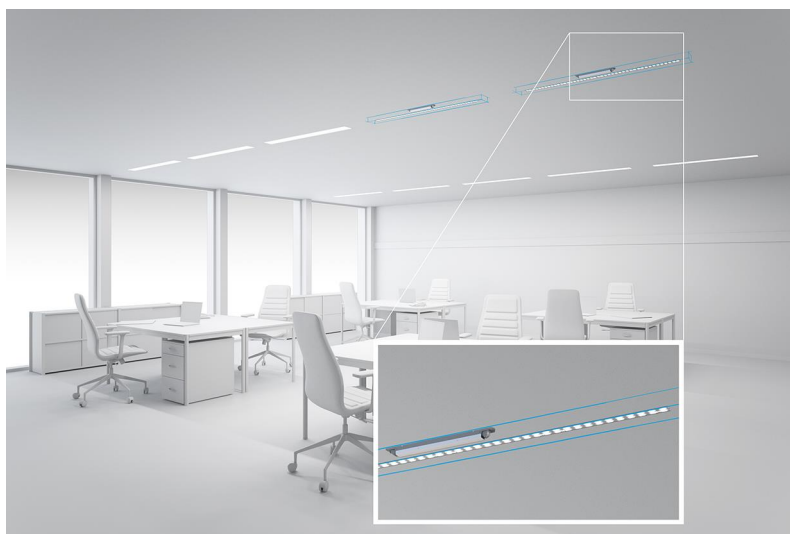
- \_ Casing: metal, white
- \_ Type of protection IP20

**Functions**

- \_ Overload protection
- \_ Short-circuit protection
- \_ No-load protection
- \_ Burst protection voltage 0.5 kV
- \_ Surge protection voltage 1 kV (L to N)
- \_ Surge protection voltage 2 kV (L/N to earth)

**Website**

<http://www.tridonic.com/87500838>



Spotlights



Downlights



Linear



Area



Floor | Wall



Free-standing



Street



Decorative

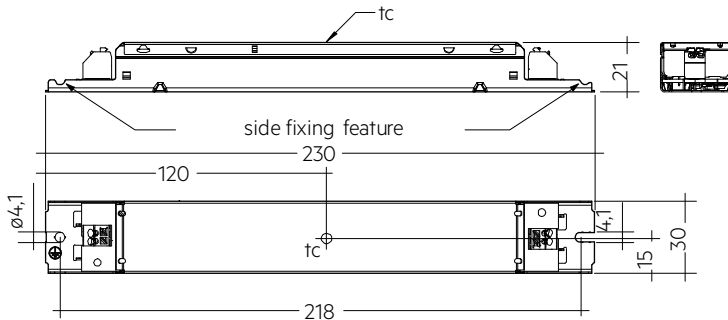


High bay

## Driver LC 35W 250/300/350mA fixC Ip SNC2

essence series non-SELV

The complete data sheet for this product is available in the Downloads section.



## Ordering data

Type	Article number	Packaging, carton	Packaging, low volume	Packaging, high volume	Weight per pc.
LC 35/250/140 fixC Ip SNC2	87500838	50 pc(s).	1,050 pc(s).	3,150 pc(s).	0.128 kg

## Technical data

Rated supply voltage	220 – 240 V
AC voltage range	198 – 264 V
Mains frequency	50 / 60 Hz
Leakage current (at 230 V, 50 Hz, full load)	< 450 µA
THD (at 230 V, 50 Hz, full load)	< 20 %
Output current tolerance <sup>①</sup>	± 7.5 %
Typ. current ripple (at 230 V, 50 Hz, full load)	± 5 %
Starting time (at 230 V, 50 Hz, full load)	≤ 0.5 s
Turn off time (at 230 V, 50 Hz, full load)	≤ 0.5 s
Hold on time at power failure (output)	0 s
Ambient temperature <i>t</i> <sub>a</sub>	-20 ... +50 °C
Ambient temperature <i>t</i> <sub>a</sub> (at life-time 50,000 h)	50 °C
Storage temperature <i>t</i> <sub>s</sub>	-40 ... +80 °C
Mains burst capability	0.5 kV
Mains surge capability (between L - N)	1 kV
Mains surge capability (between L/N - PE)	2 kV
Surge voltage at output side (against PE)	4 kV
Life-time	up to 50,000 h
Dimensions L x W x H	230 x 30 x 21 mm
Hole spacing D	218 mm

## Approval marks



## Standards

EN 55015, EN 61000-3-2, EN 61000-3-3, EN 61347-2-13, EN 61547, EN 62384

## Specific technical data

Type	Output current <sup>②</sup>	Input current (at 230 V, 50 Hz, full load)	Max. input power	Typ. power consumption (at 230 V, 50 Hz, full load)	Output power range	$\lambda$ at full load <sup>③</sup>	Efficiency at full load <sup>④</sup>	$\lambda$ at min. load <sup>⑤</sup>	Efficiency at min. load <sup>⑥</sup>	Min. forward voltage	Max. forward voltage	Max. output voltage (U-OUT)	Max. peak output current <sup>⑦</sup>	Max. casing temperature <i>t</i> <sub>c</sub>
LC 35/250/140 fixC Ip SNC2	250 mA	170 mA	38.2 W	37.5 W	17.5 – 35.0 W	0.95	91.0 %	0.9C	89.0 %	70.0 V	140 V	320 V	293 mA	70 °C

- ① Output current is mean value.
- ② Test result at 230 V, 50 Hz.
- ③ The trend between min. and full load is linear.