

Driver LC 50W 250-400mA 140V 04a Ip ADV
advanced DALI non-SELV series



Product description

- _ Dimmable built-in constant current LED Driver
- _ Dimming range 10 – 100 % (min. 25 mA)
- _ For luminaires of protection class I and protection class II
- _ Temperature protection as per EN 61347-2-13 C5e
- _ Adjustable output current between 250 and 400 mA via I-SELECT 2 plugs
- _ Max. output power 50 W
- _ Up to 91 % efficiency
- _ Power input on stand-by < 0,4 W
- _ Nominal life-time up to 100,000 h
- _ 5-year guarantee

Housing properties

- _ Low profile metal casing with white cover
- _ Type of protection IP20

Interfaces

- _ one4all (DALI-2 DT 6, DSI, switchDIM, corridorFUNCTION V2)
- _ Terminal blocks: 0° push terminals

Functions

- _ Adjustable output current (I-SELECT 2)
- _ Protective features (overtemperature, short-circuit, overload, no-load, input voltage range)
- _ Suitable for emergency escape lighting systems acc. to EN 50172

Benefits

- _ Application-oriented operating window for maximum compatibility

Typical applications

- _ For linear/area lighting

Website

<http://www.tridonic.com/87500726>



Spotlights



Downlights



Linear



Area



Floor | Wall



Free-standing



Street



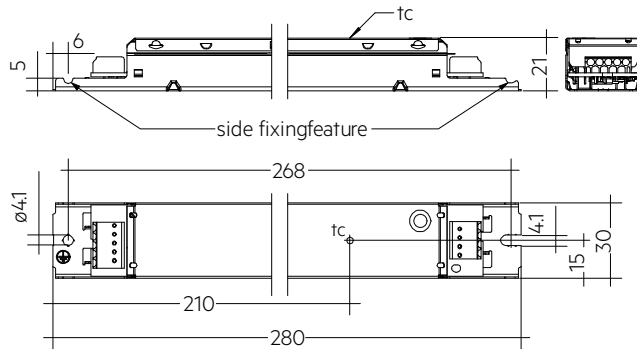
Decorative



High bay

Driver LC 50W 250-400mA 140V ϕ 4a Ip ADV
advanced DALI non-SELV series

The complete data sheet for this product is available in the Downloads section.



Ordering data

Type	Article number	Packaging, carton	Packaging, pallet	Packaging, high volume	Weight per pc.
LC 50/250-400/140 ϕ 4a Ip ADV	87500726	40 pc(s).	560 pc(s).	2,240 pc(s).	0.202 kg

Technical data

Rated supply voltage	220 – 240 V
AC voltage range	198 – 264 V
DC voltage range	176 – 280 V
Mains frequency	0 / 50 / 60 Hz
Overvoltage protection	320 V AC, 48 h
Typ. current (at 230 V, 50 Hz, full load) ^{①②}	171 – 241 mA
Typ. current (220 V, 0 Hz, full load, 100 % dimming level) ^②	250 mA
Leakage current (at 230 V, 50 Hz, full load) ^{①②}	< 350 μ A
Max. input power	57 W
Typ. efficiency (at 230 V, 50 Hz, full load) ^②	> 89 %
λ (at 230 V, 50 Hz, full load) ^①	0.95
Typ. power input on stand-by ^③	< 0.4 W
Typ. input current in no-load operation	22 mA
Typ. input power in no-load operation	0.65 W
In-rush current (peak / duration)	31 A / 262 μ s
THD (at 230 V, 50 Hz, full load) ^①	< 10 %
Starting time (at 230 V, 50 Hz, full load) ^①	< 0.6 s
Starting time (DC mode)	< 0.4 s
Switchover time (AC/DC) ^④	< 0.5 s
Turn off time (at 230 V, 50 Hz, full load)	< 0.1 s
Starting time (stand-by)	< 0.5 s
Output current tolerance ^{⑤⑥}	\pm 5 %
Max. output current peak (non-repetitive)	\leq output current + 10 %
Output LF current ripple (< 120 Hz)	\pm 5 %
Max. output voltage (U-OUT)	250 V
Dimming range	10 – 100 % (min. 25 mA)
Mains surge capability (between L - N)	1 kV
Mains surge capability (between L/N - PE)	2 kV
Surge voltage at output side (against PE)	2 kV
Type of protection	IP20
Life-time	up to 100,000 h
Dimensions L x W x H	280 x 30 x 21 mm

Approval marks**Standards**

EN 55015, EN 61000-3-2, EN 61000-3-3, EN 61347-1, EN 61347-2-13, EN 62384, EN 61547, EN 62386-101 (DALI-2), EN 62386-102 (DALI-2), EN 62386-207 (DALI-2), Acc. to EN 50172, Acc. to EN 60598-2-22

Specific technical data

Type	Output current ^⑤	Min. forward voltage	Max. forward voltage	Max. output power	Typ. power consumption (at 230 V, 50 Hz, full load)	Typ. current consumption (at 230 V, 50 Hz, full load)	tc point max.	Ambient temperature ta	I-SELECT 2 resistor value ^⑥
LC 50/250-400/140 o4a lp ADV	250 mA	50 V	140 V	35.0 W	38 W	168 mA	70 °C	-25 ... +50 °C	-
LC 50/250-400/140 o4a lp ADV	275 mA	50 V	140 V	38.5 W	40 W	185 mA	70 °C	-25 ... +50 °C	18.18 k Ω
LC 50/250-400/140 o4a lp ADV	300 mA	50 V	140 V	42.0 W	46 W	203 mA	70 °C	-25 ... +50 °C	16.67 k Ω
LC 50/250-400/140 o4a lp ADV	325 mA	50 V	140 V	45.5 W	50 W	220 mA	70 °C	-25 ... +50 °C	15.38 k Ω
LC 50/250-400/140 o4a lp ADV	350 mA	50 V	140 V	49.0 W	54 W	235 mA	70 °C	-25 ... +50 °C	14.29 k Ω
LC 50/250-400/140 o4a lp ADV	375 mA	50 V	133 V	50.0 W	55 W	240 mA	75 °C	-25 ... +50 °C	13.33 k Ω
LC 50/250-400/140 o4a lp ADV	400 mA	50 V	125 V	50.0 W	55 W	240 mA	75 °C	-25 ... +50 °C	0.00 k Ω

① Valid at 100 % dimming level.

② Depending on the selected output current.

③ Depending on the DALI traffic at the interface.

④ Valid for immediate change of power supply type otherwise the starting time is valid.

⑤ Output current is mean value.

⑥ Not compatible with I-SELECT (generation 1). Calculated resistor value.