

Driver LC 25W 350/500/600/700mA fixC SC SNC2

ESSENCE series

New

**Product description**

- _ Fixed output LED Driver
- _ Can be either used built-in or independent with clip-on strain-relief (see accessory)
- _ Constant current LED Driver
- _ Output current 350, 500, 600 or 700 mA
- _ Max. output power 25 W
- _ For luminaires of protection class I and protection class II
- _ Temperature protection as per EN 61347-2-13 C5e
- _ Independent LED Driver with cable clamps
- _ Nominal life-time up to 50,000 h
- _ 5-year guarantee

Properties

- _ Casing: polycarbonate, white
- _ Type of protection IP20

Functions

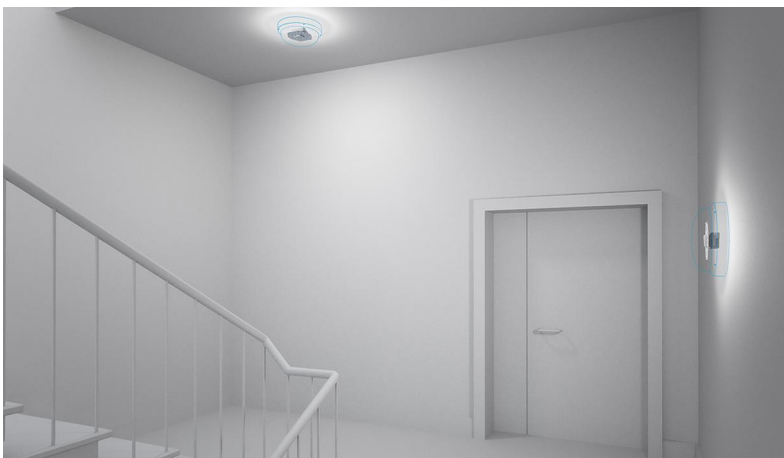
- _ Overload protection
- _ Short-circuit protection
- _ No-load protection
- _ Burst protection voltage 1 kV
- _ Surge protection voltage 1 kV (L to N)
- _ Surge protection voltage 2 kV (L/N to earth)

Typical applications

- _ For spot light and downlight in retail and hospitality applications
- _ For panel light and area light in office and education application

Website

<http://www.tridonic.com/87500733>



Spotlights



Downlights



Linear



Area



Floor | Wall



Free-standing



Street



Decorative

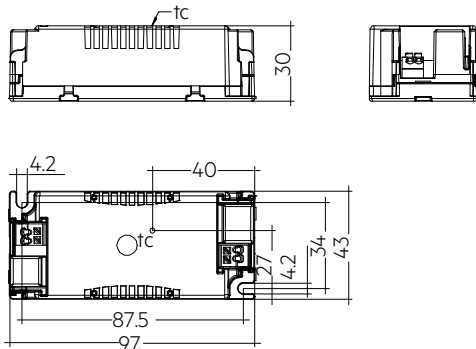


High bay

Driver LC 25W 350/500/600/700mA fixC SC SNC2

ESSENCE series

The complete data sheet for this product is available in the Downloads section.



Ordering data

Type	Article number	Packaging, carton	Packaging, low volume	Packaging, high volume	Weight per pc.
LC 25/500/43 fixC SC SNC2	87500733	15 pc(s).	555 pc(s).	4,440 pc(s).	0.078 kg

Technical data

Rated supply voltage	220 – 240 V
AC voltage range	198 – 264 V
Mains frequency	50 / 60 Hz
Overvoltage protection	320 V AC, 1 h
Leakage current (at 230 V, 50 Hz, full load)	< 450 μ A
THD (at 230 V, 50 Hz, full load)	< 20 %
Output current tolerance ^①	\pm 7.5 %
Typical output LF current ripple at full load ^②	\pm 25 %
Turn on time (at 230 V, 50 Hz, full load)	\leq 0.5 s
Turn off time (at 230 V, 50 Hz, full load)	\leq 0.5 s
Hold on time at power failure (output)	0 s
Ambient temperature t_a	-20 ... +50 °C
Ambient temperature t_a (at life-time 50,000 h)	40 °C
Storage temperature t_s	-40 ... +80 °C
Dimensions L x W x H	97 x 43 x 30 mm

Approval marks

IP20 SELV      RoHS

Standards

EN 55015, EN 61000-3-2, EN 61000-3-3, EN 61347-1, EN 61347-2-13, EN 61547, EN 60598-1, EN 62384

Specific technical data

Type	Output current ^①	Input current (at 230 V, 50 Hz, full load)	Max. input power	Typ. power consumption (at 230 V, 50 Hz, full load)	Output power range	λ at full load	Efficiency at full load ^②	λ at min. load	Efficiency at min. load ^③	Min. forward voltage	Max. forward voltage	Max. output voltage (U-OUT)	Max. output peak current at full load ^④	Max. output peak current at min. load ^④	Max. casing temperature t_c
LC 25/500/43 fixC SC SNC2	500 mA	0.120 A	25 W	24.0 W	13.5 – 21.5 W	0.90C	90 %	0.87C	88 %	27 V	43 V	60 V	700 mA	800 mA	65 °C

① Output current is mean value.

② Typical value at full load, depend on load's V-I character.

③ Test result at 230 V, 50 Hz.

④ The trend between min. and full load is linear and depend on load's V-I character.