

Driver LC 40W 800-1050mA flexC SC ADV

advanced series



With strain-relief (see accessory)

Product description

- _ Can be either used built-in or independent with clip-on strain-relief (see accessory)
- _ Small design (97 x 43 x 30 mm)
- _ Constant current LED Driver
- _ For luminaires of protection class I and protection class II
- _ Temperature protection as per EN 61347-2-13 C5e
- _ Adjustable output current between 800 and 1,050 mA, in 5 steps with ADV plug technology (pre-selected current 800 mA)
- _ Max. output power 44.1 W
- _ Nominal life-time up to 100,000 h
- _ 5-year guarantee

Housing properties

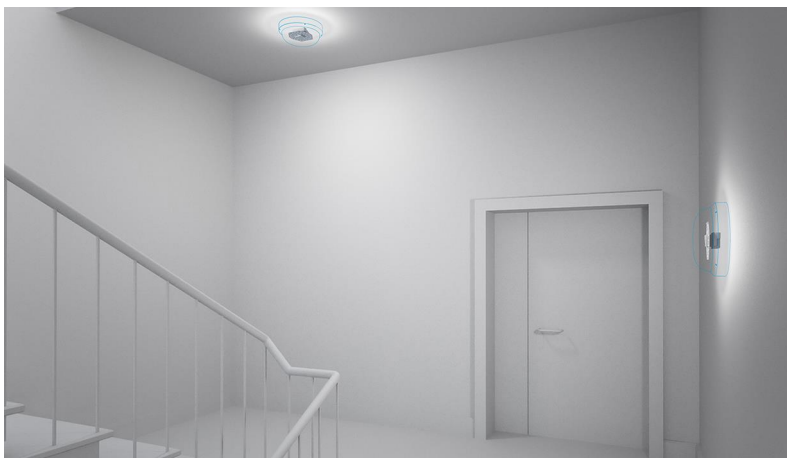
- _ Casing: polycarbonate, white
- _ Type of protection IP20

Functions

- _ Overtemperature protection
- _ Overload protection
- _ Short-circuit protection
- _ No-load protection
- _ Burst protection voltage 1 kV
- _ Surge protection voltage 1 kV (L to N)
- _ Surge protection voltage 2 kV (L/N to earth)

Typical applications

- _ For spot light and downlight in retail and hospitality applications
- _ For panel light and area light in office and education application

Website
<http://www.tridonic.com/28002478>


Spotlights



Downlights



Linear



Area



Floor | Wall



Free-standing



Street



Decorative

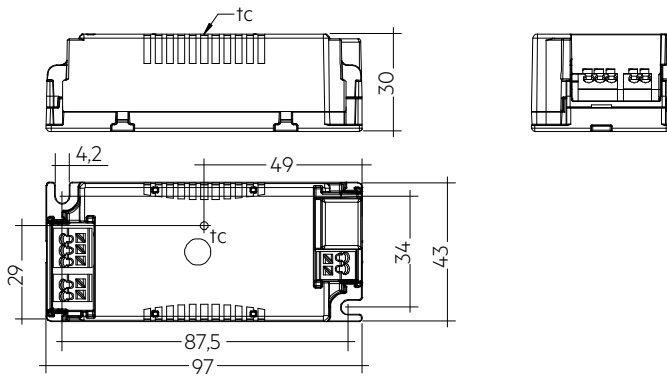


High bay

Driver LC 40W 800-1050mA flexC SC ADV

advanced series

The complete data sheet for this product is available in the Downloads section.

**Ordering data**

Type	Article number	Packaging, carton	Packaging, pallet	Weight per pc.
LC 40W 800-1050mA flexC SC ADV	28002478	15 pc(s).	1,665 pc(s).	0.105 kg

Technical data

Rated supply voltage	220 – 240 V
AC voltage range	198 – 264 V
Max. input current (at 230 V, 50 Hz, full load)	0.22 A
Mains frequency	50 / 60 Hz
Overvoltage protection	320 V AC, 1 h
Max. input power	54 W
Typ. power consumption (at 230 V, 50 Hz, full load) ^①	49,3 W
Min. output power	20 W
Max. output power	44.1 W
Typ. efficiency (at 230 V, 50 Hz, full load) ^①	88 %
λ (at 230 V, 50 Hz, full load) ^①	0.95
Output current tolerance ^②	± 7.5 %
Max. output current peak ^③	\leq output current + 12.5 %
Max. output voltage (U-OUT)	60 V
THD (at 230 V, 50 Hz, full load) ^①	< 10 %
Output LF current ripple (< 120 Hz)	± 5 %
Starting time (at 230 V, 50 Hz, full load)	≤ 0.5 s
Turn off time (at 230 V, 50 Hz, full load)	≤ 0.5 s
Hold on time at power failure (output)	0 s
Ambient temperature t_a (at life-time 50,000 h)	50 °C
Storage temperature t_s	-40 ... +80 °C
Life-time	up to 100,000 h
Dimensions L x W x H	97 x 43 x 30 mm

Approval marks**Standards**

EN 55015, EN 61000-3-2, EN 61000-3-3, EN 61347-1, EN 61347-2-13, EN 61547, EN 62384

Specific technical data

Type	Output ^② current	Min. forward voltage	Max. forward voltage	Max. output power	Typ. power consumption (at 230 V, 50 Hz, full load)	Typ. current consumption (at 230 V, 50 Hz, full load)	t _c point max.	Ambient temperature t _a	I _{out} select	Resistor ^④
LC 40W 800-1050mA flexC SC ADV	800 mA	25 V	40 V	32.0 W	36.0 W	163 mA	80 °C	-20 ... +50 °C	-	-
LC 40W 800-1050mA flexC SC ADV	850 mA	25 V	41 V	34.9 W	39.0 W	177 mA	80 °C	-20 ... +50 °C	0-1	ADV Type E
LC 40W 800-1050mA flexC SC ADV	900 mA	25 V	42 V	37.8 W	42.7 W	190 mA	80 °C	-20 ... +50 °C	0-1	ADV Type A
LC 40W 800-1050mA flexC SC ADV	950 mA	25 V	42 V	39.9 W	44.9 W	200 mA	80 °C	-20 ... +50 °C	0-2	ADV Type F
LC 40W 800-1050mA flexC SC ADV	1,050 mA	30 V	42 V	44.1 W	49.3 W	220 mA	80 °C	-20 ... +50 °C	0-2	ADV Type A

① Test result at 1,050 mA.

② Output current is mean value.

③ Test result at 25 °C.

④ Type A is a short circuit plug (0 Ω).