

Driver LC 30W 700mA fixC SR ADV2

advanced series

**Product description**

- _ Independent driver with strain-relief housing
- _ Extra flat housing for constrained installation conditions (small ceiling cut outs and low ceiling voids)
- _ For luminaires of protection class II
- _ For luminaires with M and MM as per EN 60598, VDE 0710 and VDE 0711
- _ Output current 700 mA
- _ Temperature protection as per EN 61347-2-13 C5e
- _ Nominal life-time up to 50,000 h
- _ 5-year guarantee

Housing properties

- _ Casing: polycarbonate, white
- _ Type of protection IP20
- _ Push-in terminals
- _ 2 separate strain relief parts for input and output cables with highly robust clamps

Functions

- _ Overload protection
- _ Short-circuit protection
- _ No-load protection
- _ No output current overshoot at mains on/off
- _ Burst protection voltage 1 kV
- _ Burst protection voltage 1 kV (L to N)
- _ Surge protection voltage 2 kV (L/N to earth)

Typical applications

- _ For spot light and downlight in retail and hospitality applications
- _ For panel light and area light in office and education application

Website

<http://www.tridonic.com/87500865>



Spotlights



Downlights



Linear



Area



Floor | Wall



Free-standing



Street



Decorative

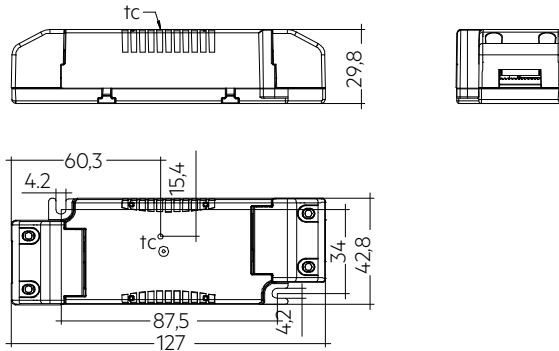


High bay

Driver LC 30W 700mA fixC SR ADV2

advanced series

The complete data sheet for this product is available in the Downloads section.



Ordering data

Type	Article number	Packaging, carton	Packaging, low volume	Packaging, high volume	Weight per pc.
LC 30/700/42 fixC SR ADV2	87500865	14 pc(s).	364 pc(s).	2,548 pc(s).	0.085 kg

Technical data

Rated supply voltage	220 – 240 V
AC voltage range	198 – 264 V
λ at full load ①	0.95C
λ at min. load ①	0.95C
Mains frequency	50 / 60 Hz
Overvoltage protection	320 V AC, 1 h
Leakage current (at 230 V, 50 Hz, full load)	< 450 μ A
THD (at 230 V, 50 Hz, full load)	\leq 15 %
Output current tolerance ②	\pm 7.5 %
Typical output LF current ripple at full load ③	\pm 5 %
Starting time (at 230 V, 50 Hz, full load)	\leq 0.5 s
Turn off time (at 230 V, 50 Hz, full load)	\leq 0.5 s
Hold on time at power failure	0 s
Ambient temperature t_a	-25 ... +40 °C
Ambient temperature t_a (at life-time 50,000 h)	30 °C
Storage temperature t_s	-40 ... +80 °C
Life-time	up to 50,000 h
Dimensions L x W x H	127 x 43 x 30 mm

Approval marks



Standards

EN 55015, EN 60598-1, EN 61000-3-2, EN 61000-3-3, EN 61347-1, EN 61347-2-13, EN 61547, EN 62384

Specific technical data

Type	Output current ②	Typ. rated current (at 230 V, 50 Hz, full load)	Max. input power	Typ. power consumption (at 230 V, 50 Hz, full load)	Output power range	Efficiency at full load	Efficiency at min. load ③	Min. forward voltage	Max. forward voltage	Max. output voltage (U-OUT)	Max. peak output current ③	Max. casing temperature t_c
LC 30/700/42 fixC SR ADV2	700 mA	0.15 A	33.5 W	33 W	23.1 – 29.4 W	89 %	88 %	33 V	42 V	60 V	788 mA	65 °C

① Test result at 230 V, 50 Hz.

② Output current is mean value.

③ Typical value at full load, depend on load's V-I character.

④ The trend between min. and full load is linear and depend on load's V-I character.