

PHILIPS

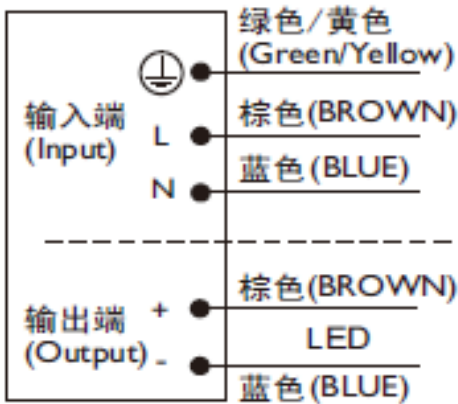
9290 008 85708

Brand Name	XITANIUM
Description	Xitanium 100W 2.1 – 4.2A
Input Voltage	220~240V
Input Frequency	50/60Hz
RoHS	Yes
Status	Released

Electrical Specifications

Output Power (W)	Output Voltage (V)	Output Current (A)	Efficiency@ Max Load			Max Case Temp. (°C)	Input Current			Max. Input Power (W)	Inrush Current (A _{in} /50%-11s)		THD @ Max Load (%)	Power Factor @ Max Load	Surge Protection Common/Diff (KV/2ohm)	Weight (kgs)	IP Rating
			220 V	230 V	240 V		2.0 0v	2.2 0v	2.40v		200 Vin	33/377					
100	12 ~ 48	2.1A – 4.2A	91%	91.3 %	91.6 %	80 °C	0.57	0.53	0.49	112	13	>0.95	4/4	1.04kg	IP65		

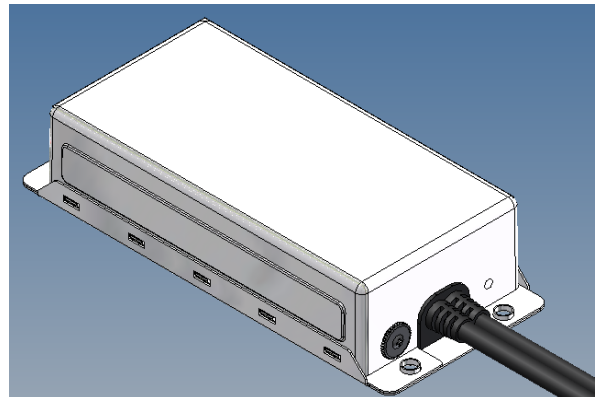
Wire Diagram



Input and output use water proof cables.

Standard Lead Length is 450mm +/-20mm on all wires outside the can.

Enclosure



	mm
Case Length	150
Case Width	88
Case Height	41
Mounting Length	166
Mounting Width	50
Overall Length	180



SELV

RoHS COMPLIANT



IP65



Revised 03/17/2014

Philips(China) Investment Co.,Ltd.
10F, Building I, 1535 Hongmei Road, Minghang District, Shanghai, 200233
Tel: 8008 201 201 · <http://www.lighting.philips.com.cn/>

9290 008 85708	
Brand Name	XITANIUM
Description	Xitanium 100W 2.1 – 4.2A
Input Voltage	220~240V
Input Frequency	50/60Hz
RoHS	Yes
Status	Released

Electrical Specifications

Product Data	
Order code	929000885708
Full product code	929000885708
Full product name	Xitanium 100W 2.1 - 4.2A 230V-5 I65
Net weight per piece	1.04kg
Interfaces	No
Ambient Temp Range	-40C to +55C
Corresponding Tcase	-15C to +80C
Storage Temp	-40C to +80C
Humidity	10% to 95%
Line Voltage	220-240V (certified) and 85-305V (workable)
Line Current	0.53/220V
Line Frequency	50/60Hz
IP Classification	65
Life @ TC 80 C	50000 hr [nom] refer to graph below
Life @ TC 70 C	100000 hr [nom] refer to graph below
Suitable for Outdoor use?	Yes
Max TC	80C
Inrush current Width	Refer to table
Maximum ballast number on ABB 16A type B	8[max]
Input Over-voltage	Can survive input over-voltage stress of 320VAC for 48 hours and 350VAC for 2 hours
LED Current Tolerance	+/-5%
Earth leakage current	0.8 mA [max]
Mains voltage safety (AC)	+/-10%
Mains voltage performance (AC)	+/-10%
Min. Mains voltage operational	198 V [min]
Output max voltage (rms)	55V dc[max]
Output Current ripple	5% @ 2.1A – 4.2A (ripple = pk-pk/2 x avg)
THD total	< 20%
THD 3 rd Harmonic	< 15%
PF @ Max Load	>0.95
Wire Isolation	All wires are Basic isolated to ground
Protections	Short Circuit and Open Circuit Protection for LED + and LED-
Safety for output	SELV

Installation & Application Notes:

Section I – Physical Characteristics

- 1.1 LED Driver shall be installed outside an electrical enclosure.
- 1.2 Wiring inside electrical enclosure shall comply with 600V/105°C rating or higher.

Section II – Performance

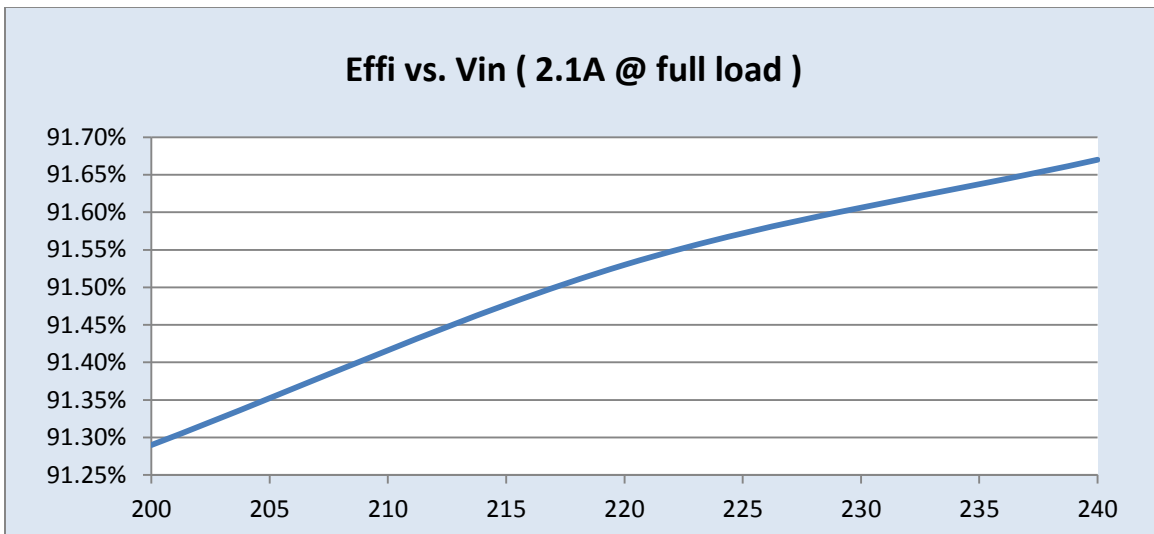
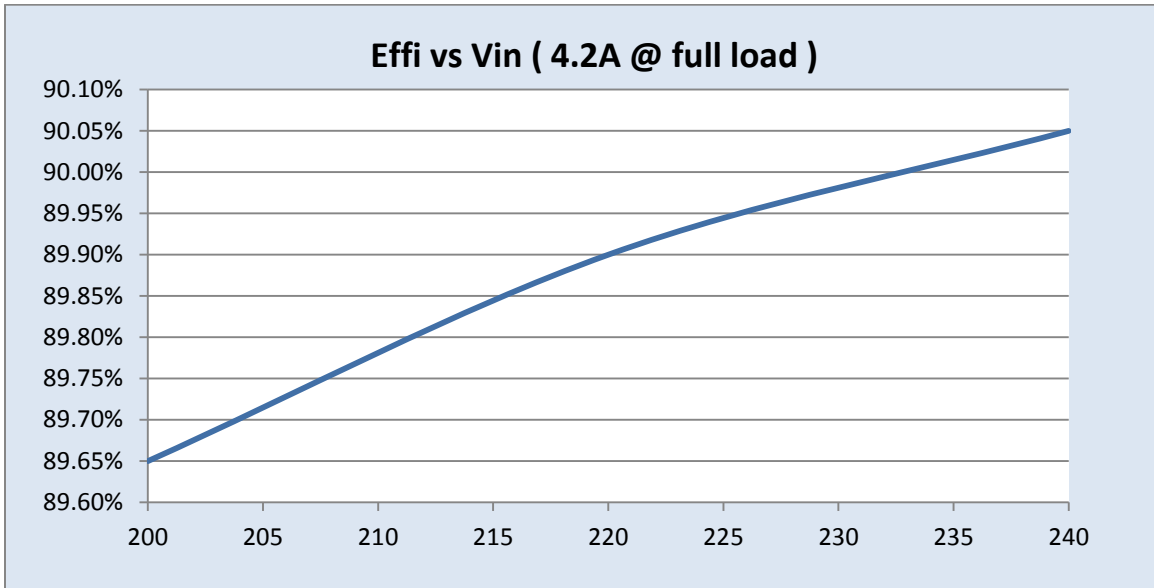
- 2.1 LED Driver has a rated lifetime of 50,000 hours @ TC ≤70C.
- 2.2 LED Driver tolerates sustained open circuit and short circuit output conditions without damage.
- 2.3 LED Driver maximum allowable case temperature is 80°C – see product label for measurement location.
- 2.4 LED Driver reduces output power to LEDs if its case temperature exceeds >90°C –thermal protection and eventually reduces output current to < 2A.
- 2.5 LED Driver complies with the requirements of CE, CISPR 15 Ed 7.2 and CQC.

Revised 03/17/2014



9290 008 85708	
Brand Name	XITANIUM
Description	Xitanium 100W 2.1 – 4.2A
Input Voltage	220~240V
Input Frequency	50/60Hz
RoHS	Yes
Status	Released

Electrical Specifications

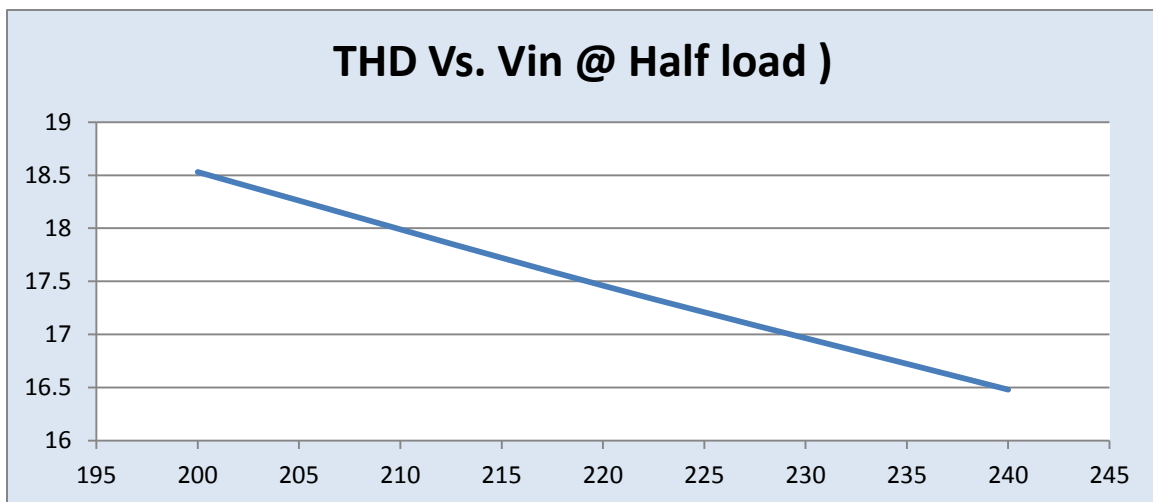
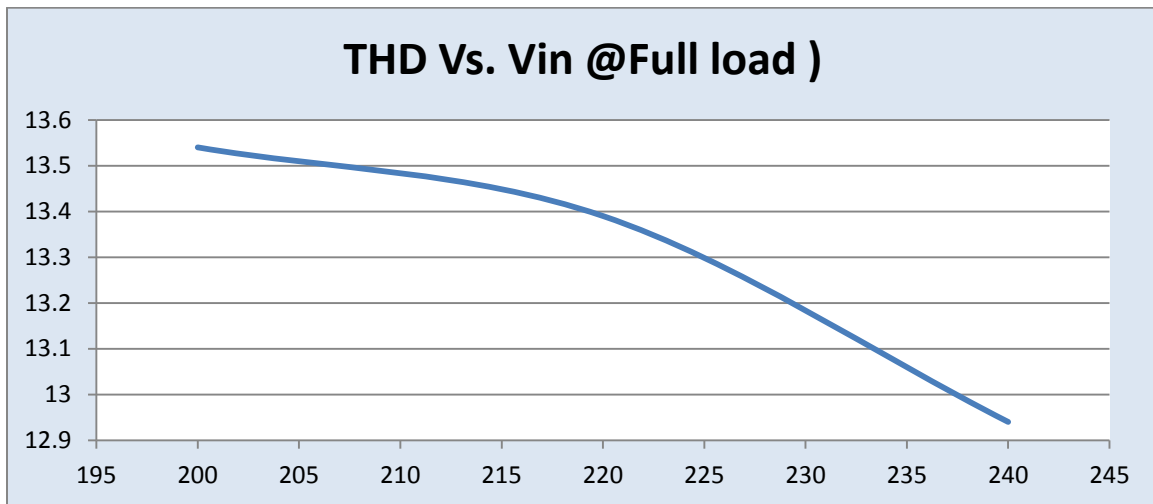


Revised 03/17/2014

9290 008 85708

Brand Name	XITANIUM
Description	Xitanium 100W 2.1 – 4.2A
Input Voltage	220~240V
Input Frequency	50/60Hz
RoHS	Yes
Status	Released

Electrical Specifications



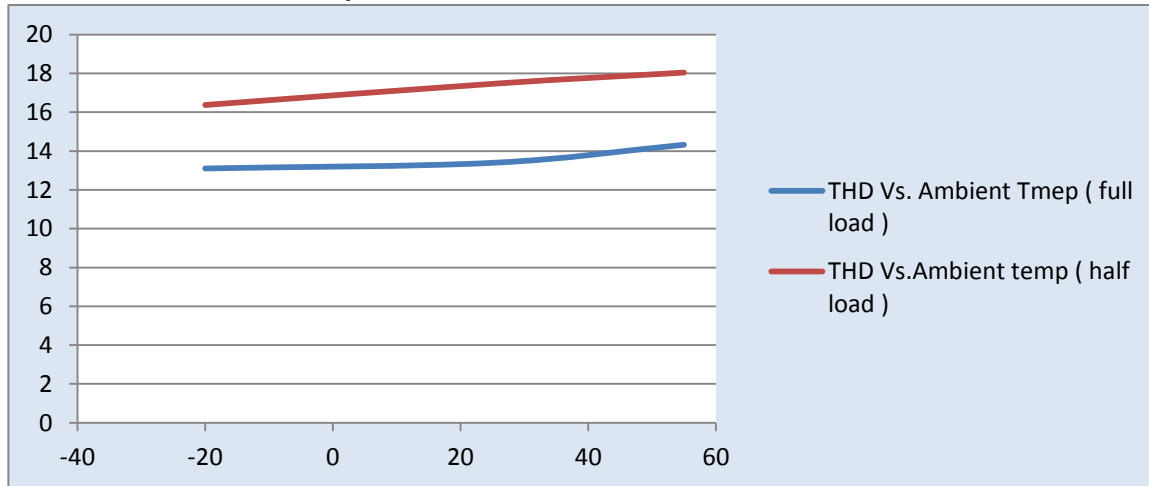
Revised 03/17/2014



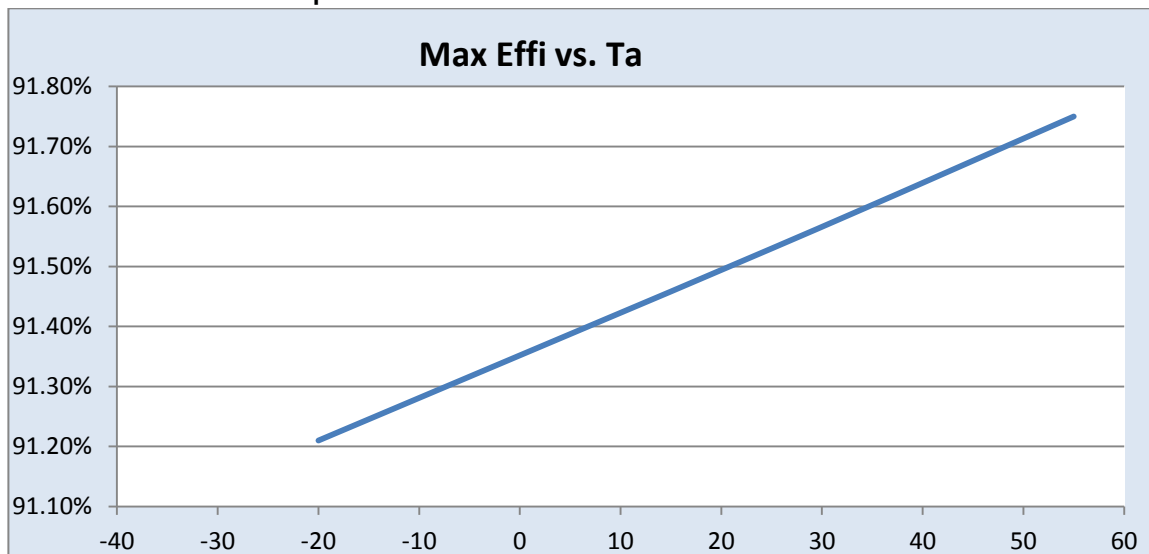
9290 008 85708	
Brand Name	XITANIUM
Description	Xitanium 100W 2.1 – 4.2A
Input Voltage	220~240V
Input Frequency	50/60Hz
RoHS	Yes
Status	Released

Electrical Specifications

THD vs. Ambient temperature



Effi vs. Ambient temperature



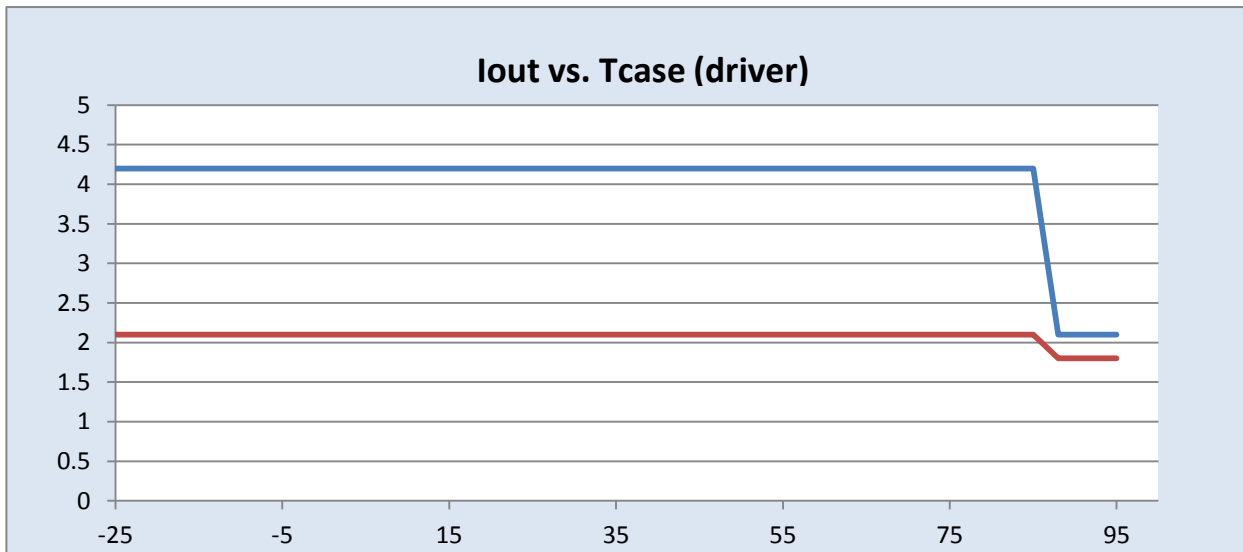
Revised 03/17/2014



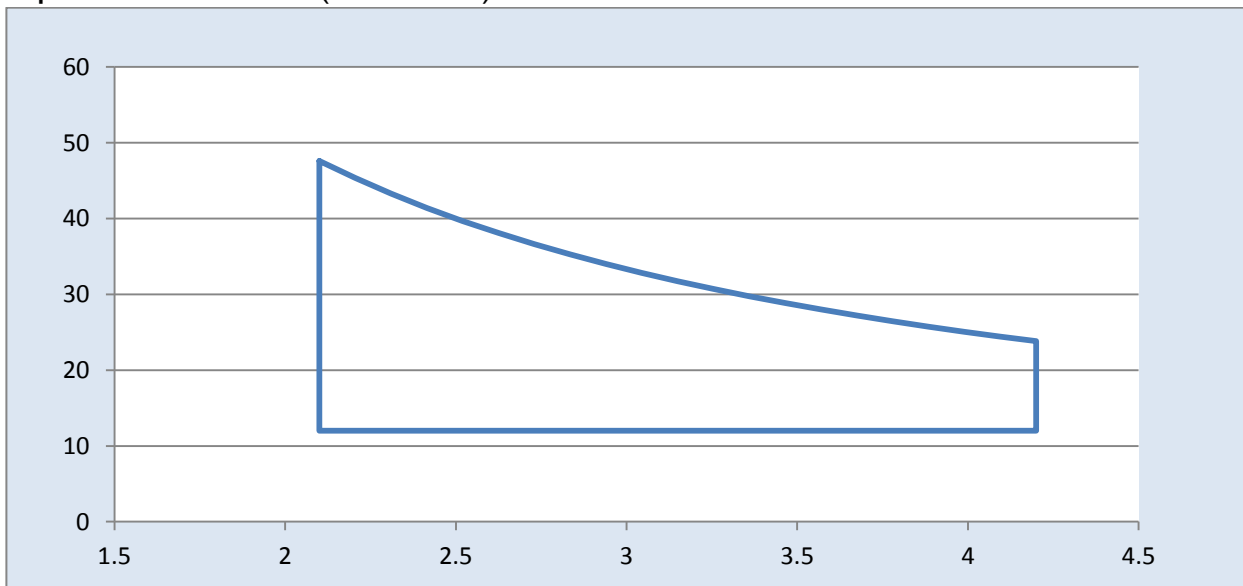
9290 008 85708	
Brand Name	XITANIUM
Description	Xitanium 100W 2.1 – 4.2A
Input Voltage	220~240V
Input Frequency	50/60Hz
RoHS	Yes
Status	Released

Electrical Specifications

I_{out} vs. T_{case} of Driver:



Operation Window (V_o vs. I_o):



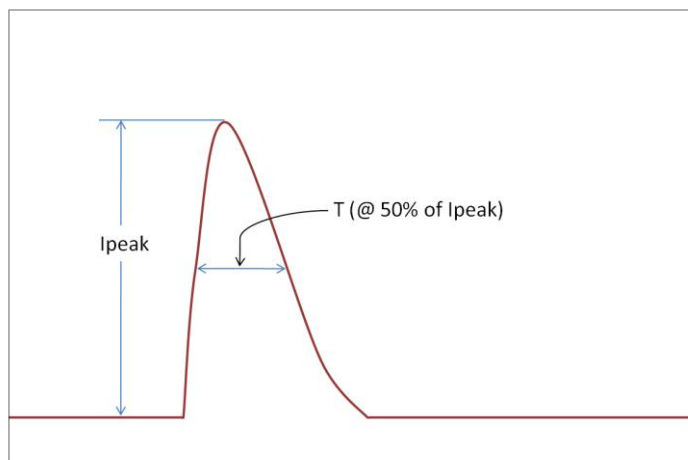
Revised 03/17/2014

9290 008 85708

Brand Name	XITANIUM
Description	Xitanium 100W 2.1 – 4.2A
Input Voltage	220~240V
Input Frequency	50/60Hz
RoHS	Yes
Status	Released

Electrical Specifications

Inrush Current Info:



Vin	Ipeak	T (@ 50% of Ipeak)
200 Vrms	33 A	377 μ s
230 Vrms	34 A	380 μ s
240 Vrms	36A	384 μ s

Lifetime vs. Tcase of Driver:

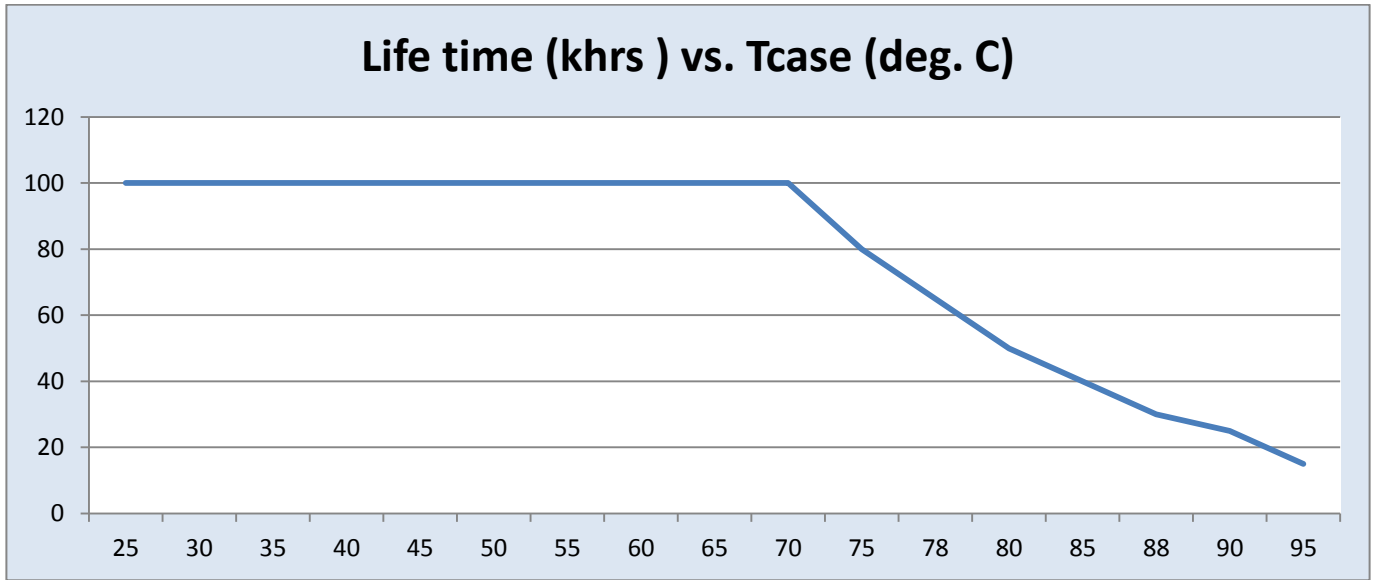
Revised 03/17/2014



9290 008 85708

Brand Name	XITANIUM
Description	Xitanium 100W 2.1 – 4.2A
Input Voltage	220~240V
Input Frequency	50/60Hz
RoHS	Yes
Status	Released

Electrical Specifications



Failure Rate Info: <0.1% per 1 kHr @<= Tcase 70 C

Isolation:

Isolation	Input Wires	Output Wires	Chassis
Input Wires	NA	3750Vac	1500Vac
Output Wires	3750Vac	NA	500Vac
Chassis	1500Vac	500Vac	NA

Revised 03/17/2014

Philips(China) Investment Co.,Ltd.
10F, Building I, 1535 Hongmei Road, Minghang District, Shanghai, 200233
Tel: 8008 201 201 · <http://www.lighting.philips.com.cn/>



9290 008 85708

Brand Name	XITANIUM
Description	Xitanium 100W 2.1 – 4.2A
Input Voltage	220~240V
Input Frequency	50/60Hz
RoHS	Yes
Status	Released

Electrical Specifications

Mechanical drawing:

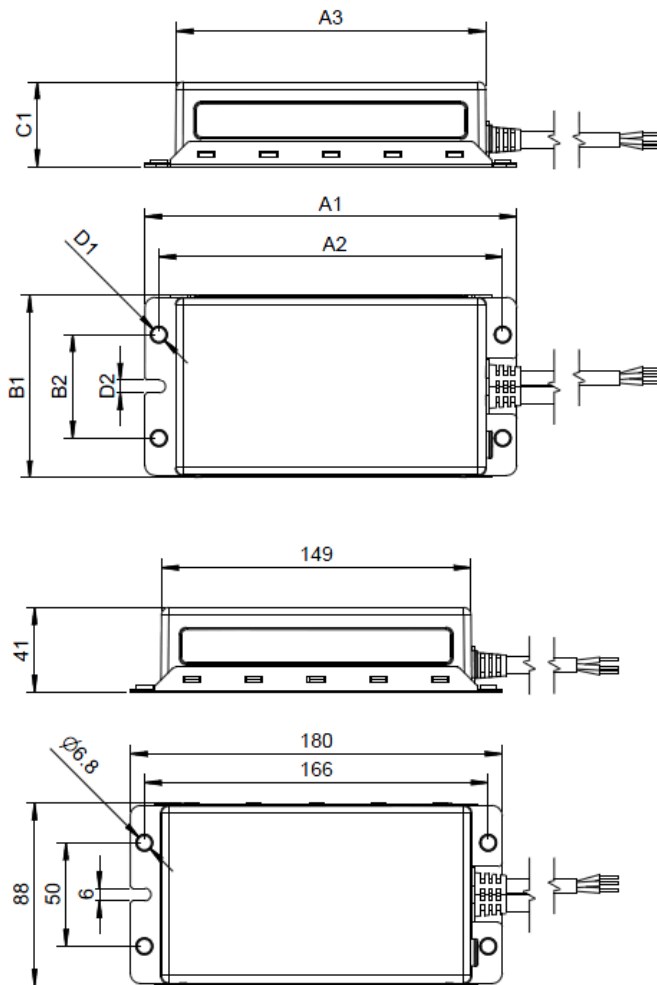
Revised 03/17/2014

Philips(China) Investment Co.,Ltd.
10F, Building I, 1535 Hongmei Road, Minghang District, Shanghai, 200233
Tel: 8008 201 201 · <http://www.lighting.philips.com.cn/>

9290 008 85708

Brand Name	XITANIUM
Description	Xitanium 100W 2.1 – 4.2A
Input Voltage	220~240V
Input Frequency	50/60Hz
RoHS	Yes
Status	Released

Electrical Specifications



Revised 03/17/2014