

Driver LCA 35W 150–700mA one4all Ip PRE
premium series SELV

**Product description**

- _ Dimmable built-in constant current LED Driver
- _ Output current adjustable between 150 – 700 mA via ready2mains Programmer, I-select 2 plugs or DALI
- _ Max. output power 35 W
- _ Up to 88 % efficiency
- _ Power input on stand-by < 0.2 W
- _ Dimming range 1 to 100 %
- _ For luminaires of protection class I and protection class II
- _ Nominal life-time up to 100,000 h
- _ 5-year guarantee

Housing properties

- _ Low profile metal casing with white cover
- _ Type of protection IP20

Interfaces

- _ one4all (DALI-2 DT 6, DSI, switchDIM, corridorFUNCTION)
- _ ready2mains (configuration and dimming via mains)
- _ Terminal blocks: 0° push terminals

Functions

- _ Adjustable output current (DALI, ready2mains, I-select 2)
- _ Constant light output function (CLO)
- _ Power-up fading at AC
- _ Configurable via ready2mains
- _ Service monitor to log certain events
- _ Protective features (overtemperature, short-circuit, overload, no-load, input voltage range, reduced surge amplification)
- _ Suitable for emergency escape lighting systems acc. to EN 50172

Benefits

- _ Application-oriented operating window for maximum compatibility
- _ Best energy savings due to low stand-by losses and high efficiency
- _ Flexible configuration via DALI, ready2mains and I-select 2
- _ Reliability proven by life-time up to 100,000 h and 5-year guarantee

Typical applications

- _ For linear/area lighting in office applications

Website

<http://www.tridonic.com/28000654>



Spotlights



Downlights



Linear



Area



Floor | Wall



Free-standing



Street



Decorative

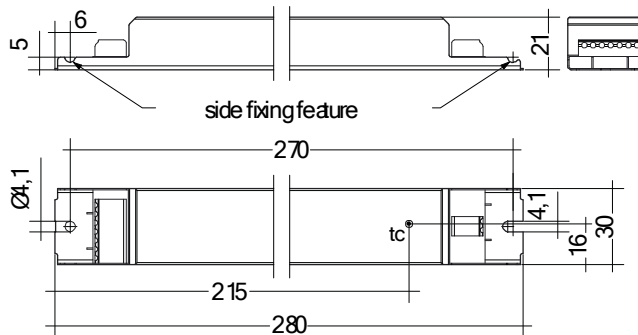


High bay

Driver LCA 35W 150–700mA one4all Ip PRE

premium series SELV

The complete data sheet for this product is available in the Downloads section.

**Ordering data**

| Type | Article number | Packaging, carton | Packaging, pallet | Weight per pc. |
|----------------------------------|----------------|-------------------|-------------------|----------------|
| LCA 35W 150-700mA one4all Ip PRE | 28000654 | 10 pc(s). | 960 pc(s). | 0.18 kg |

Technical data

| | |
|--|-------------------------|
| Rated supply voltage | 220 – 240 V |
| AC voltage range | 198 – 264 V |
| DC voltage range | 176 – 280 V |
| Mains frequency | 0 / 50 / 60 Hz |
| Overvoltage protection | 320 V AC, 48 h |
| Typ. current (at 230 V, 50 Hz, full load) ^{①②} | 61 – 178 mA |
| Typ. current (220 V, 0 Hz, full load, 15 % dimming level) | 17 – 42 mA |
| Leakage current (at 230 V, 50 Hz, full load) ^{①②} | < 700 µA |
| Max. input power | 42 W |
| Typ. efficiency (at 230 V, 50 Hz, full load) ^② | 88 % |
| λ (at 230 V, 50 Hz, full load) ^① | 0.97C |
| Typ. power input on stand-by ^③ | < 0.2 W |
| Typ. input current in no-load operation | 22 mA |
| Typ. input power in no-load operation | 0.4 W |
| In-rush current (peak / duration) | 13.6 A / 304 µs |
| THD (at 230 V, 50 Hz, full load) ^① | < 10 % |
| Starting time (at 230 V, 50 Hz, full load) ^① | < 0.7 s |
| Starting time (DC mode) | < 0.4 s |
| Switchover time (AC/DC) ^④ | < 0.4 s |
| Turn off time (at 230 V, 50 Hz, full load) | < 30 ms |
| Output current tolerance ^{①⑤} | ± 3 % |
| Max. output current peak (non-repetitive) | ≤ output current + 40 % |
| Output LF current ripple (< 120 Hz) | ± 5 % |
| Max. output voltage (U-OUT) | 60 V |
| Dimming range | 1 – 100 % |
| Mains surge capability (between L - N) | 1 kV |
| Mains surge capability (between L/N - PE) | 2 kV |
| Surge voltage at output side (against PE) | < 500 V |
| Type of protection | IP20 |
| Dimensions L x W x H | 280 x 30 x 21 mm |

Approval marks

Standards

EN 55015, EN 61000-3-2, EN 61000-3-3, EN 61347-1, EN 61347-2-13, EN 62384, EN 61547, EN 62386-101 (DALI-2), EN 62386-102 (DALI-2), EN 62386-207 (DALI-2), Acc. to EN 50172, Acc. to EN 60598-2-22

Specific technical data

| Type | Output current ^② | Min. forward voltage | Max. forward voltage | Max. output power | Typ. power consumption (at 230 V, 50 Hz, full load) | Typ. current consumption (at 230 V, 50 Hz, full load) | t _c point max. | Ambient temperature t _a | I-select 2 resistor value ^⑦ |
|----------------------------------|-----------------------------|----------------------|----------------------|-------------------|---|---|---------------------------|------------------------------------|--|
| LCA 35W 150-700mA one4all Ip PRE | 150 mA | 20 V | 54 V | 8.1 W | 11.4 W | 61 mA | 75 °C | -25 ... +60 °C | - |
| LCA 35W 150-700mA one4all Ip PRE | 200 mA | 20 V | 54 V | 10.8 W | 14.3 W | 72 mA | 75 °C | -25 ... +60 °C | 25.00 kΩ |
| LCA 35W 150-700mA one4all Ip PRE | 250 mA | 20 V | 54 V | 13.5 W | 17.1 W | 84 mA | 75 °C | -25 ... +60 °C | 20.00 kΩ |
| LCA 35W 150-700mA one4all Ip PRE | 300 mA | 20 V | 54 V | 16.2 W | 19.8 W | 93 mA | 75 °C | -25 ... +60 °C | 16.67 kΩ |
| LCA 35W 150-700mA one4all Ip PRE | 350 mA | 20 V | 54 V | 18.9 W | 22.7 W | 105 mA | 75 °C | -25 ... +60 °C | 14.29 kΩ |
| LCA 35W 150-700mA one4all Ip PRE | 400 mA | 20 V | 54 V | 21.6 W | 25.6 W | 116 mA | 75 °C | -25 ... +60 °C | 12.50 kΩ |
| LCA 35W 150-700mA one4all Ip PRE | 450 mA | 20 V | 54 V | 24.3 W | 28.5 W | 129 mA | 75 °C | -25 ... +60 °C | 11.11 kΩ |
| LCA 35W 150-700mA one4all Ip PRE | 500 mA | 20 V | 54 V | 27.0 W | 31.6 W | 142 mA | 75 °C | -25 ... +60 °C | 10.00 kΩ |
| LCA 35W 150-700mA one4all Ip PRE | 550 mA | 20 V | 54 V | 29.7 W | 33.9 W | 152 mA | 75 °C | -25 ... +60 °C | 9.09 kΩ |
| LCA 35W 150-700mA one4all Ip PRE | 600 mA | 20 V | 54 V | 32.4 W | 37.0 W | 165 mA | 75 °C | -25 ... +60 °C | 8.33 kΩ |
| LCA 35W 150-700mA one4all Ip PRE | 650 mA | 20 V | 54 V | 35.1 W | 40.3 W | 179 mA | 75 °C | -25 ... +60 °C | 7.69 kΩ |
| LCA 35W 150-700mA one4all Ip PRE | 700 mA | 20 V | 50 V | 35.0 W | 40.2 W | 178 mA | 75 °C | -25 ... +60 °C | 0.00 kΩ |

① Valid at 100 % dimming level.

② Depending on the selected output current.

③ Depending on the DALI traffic at the interface.

④ Valid for immediate change of power supply type otherwise the starting time is valid.

⑤ Output current is mean value.

⑥ The table only lists a number of possible operating points but does not cover each single point. The output current can be set within the total value range in 1-mA-steps.

⑦ Not compatible with I-select (generation 1). Calculated resistor value.