

Item	Value	Remark
Nominal voltage	220–240V	
Nominal frequency	50–60Hz	
AC voltage range	198–264V	
DC voltage range (start)	NA	
DC voltage range (operation)	NA	
Nominal current		
LNC20W700LRP-1C	130mA	
LNC20W600LRP-1C	115mA	
LNC20W550LRP-1C	110mA	
LNC20W500LRP-1C	130mA	
Input LNC20W450LRP-1C	120mA	
LNC20W400LRP-1C	110mA	
LNC20W350LRP-1C	130mA	
LNC20W300LRP-1C	110mA	
LNC20W200LRP-1C	85mA	
Total Harmonic Distortion (THD)	< 25%	Full load @ 230VAC
Power factor	0.9C	Full load @ 230VAC
Efficiency	80%(Typ.)	Full load @ 230VAC
No-load power	NA	
Stand-by power	<0.5W	
Protection class	NA	
Inrush current	6.24 A / 17.6μs	
Earth leakage current	NA	
Nominal voltage range		
LNC20W700/600/550LRP-1C	20-29 Vdc	
LNC20W500/450/400LRP-1C	28-40 Vdc	
LNC20W350/300/200LRP-1C	40-58 Vdc	
Output Maximum voltage		
LNC20W700/600/550LRP-1C	40 Vdc	
LNC20W500/450/400LRP-1C	52 Vdc	
LNC20W350/300/200LRP-1C	68 Vdc	
Nominal current range		
LNC20W700LRP-1C	700mA	
LNC20W600LRP-1C	600mA	

	Item	Value	Remark
	LNC20W550LRP-1C	550mA	
	LNC20W500LRP-1C	500mA	
	LNC20W450LRP-1C	450mA	
	LNC20W400LRP-1C	400mA	
	LNC20W350LRP-1C	350mA	
	LNC20W300LRP-1C	300mA	
	LNC20W200LRP-1C	200mA	
	Current accuracy	± 5%	
Output	Typical output LF current ripple	± 6%	Low Frequency<120Hz Full load @ 230VAC (Peak to Peak)
	Nominal power range		
	LNC20W700LRP-1C	14-20.3W	
	LNC20W600LRP-1C	12-17.4W	
	LNC20W550LRP-1C	11-15.9W	
	LNC20W500LRP-1C	14-20W	
	LNC20W450LRP-1C	12.6-18W	
	LNC20W400LRP-1C	11.2-16W	
	LNC20W350LRP-1C	14-20.3W	
	LNC20W300LRP-1C	12-17.4W	
	LNC20W200LRP-1C	8-11.6W	
	Maximum power	20W	
	Dimming	Dimming control	0/1-10V
Dimming technique		Amplitude	
PWM frequency		NA	
Dimming range		5-100%	
Lowest dimming current		4-8%	1V : Full load @ 230VAC When dimming under 1V, the output current won't be defined.
Galvanic isolation	Basic insulated to PRI and supplementary insulated to SEC		
Environment	Ambient temperature range t _a	-20°C...+50°C	
	Maximum case temperature t _c	80°C	ta = 50 °C
	Max. case temp. in fault condition	110°C	When operating under fault conditions, the temperature of the enclosure at any location should not exceed 110 °C
	Storage temperature range	-40°C...+85°C	
	Relative humidity	10%...95%	
	Surge transient protection	1 KV	L/N
	Environmental rating	Indoor	
	IP rating	IP20	
	Mains switching cycles	> 100,000	
	Expected lifetime	> 50,000 h, tc 80 °C @ ta 50 °C > 100,000 h, tc 70 °C @ ta 40 °C	0.2 % / 1,000 h failure rate @ tc 85 °C 0.1 % / 1,000 h failure rate @ tc 75 °C
Packing	Gross weight/Carton	9.4Kg	
	Net weight/Carton	8.3Kg	
	Pcs/Carton	64PCS	
	Dimension/Carton	490(L)*270(W)*225(H)mm	
Protections			
Short- & open circuit proof, Auto. overheat regulation or cut off, Overload protection			
Conformity & Standards			
Safety standard:	EN 61347-1, EN 61347-2-13, EN 62493		
Performance:	EN 62384		
EMC standard:	EN 55015, EN 61000-3-2, EN 61000-3-3, EN 61547		

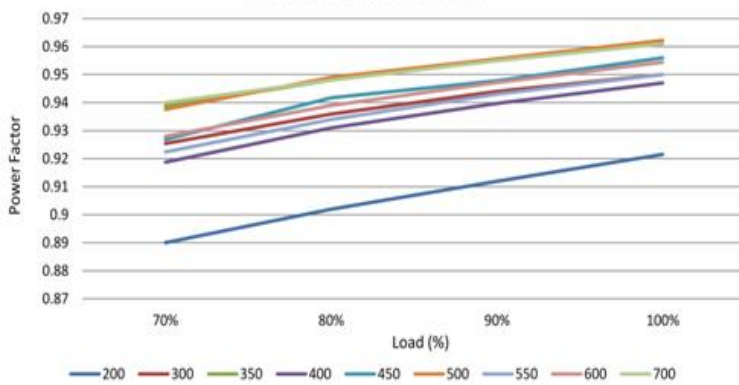
Cable information

PRI Connection	L	N
Color	Brown	Blue
Wire type	7022	7022
Wire diameter	AWG18	AWG18
Wire length	130mm	128mm
Stripping	6mm	6mm

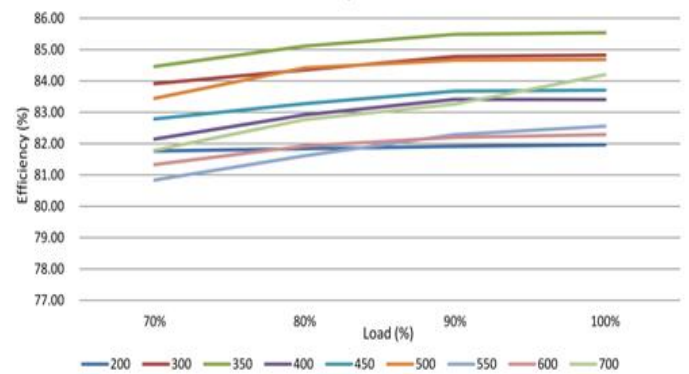
Sec Connection	+	-
Color	Red	Black
Wire type	1332	1332
Wire diameter	AWG22	AWG22
Wire length	141mm	138mm
Strip length	10mm	10mm

Control Input 1-10V	+	-
Color	Purple	Gray
Wire type	1332	1332
Wire diameter	AWG22	AWG22
Wire length	126mm	126mm
Stripping	10mm	10mm

Power Factor vs Load

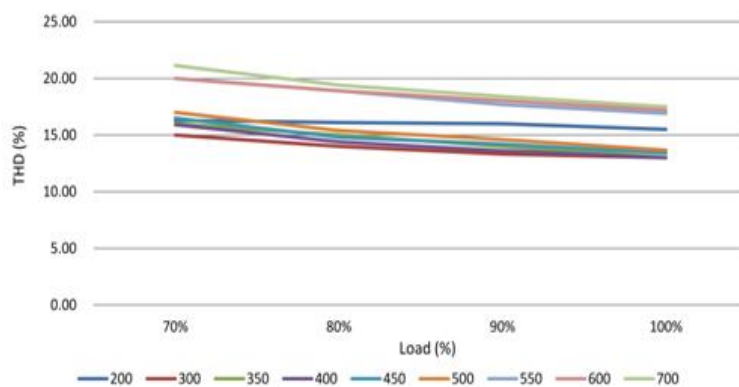


Efficiency vs Load

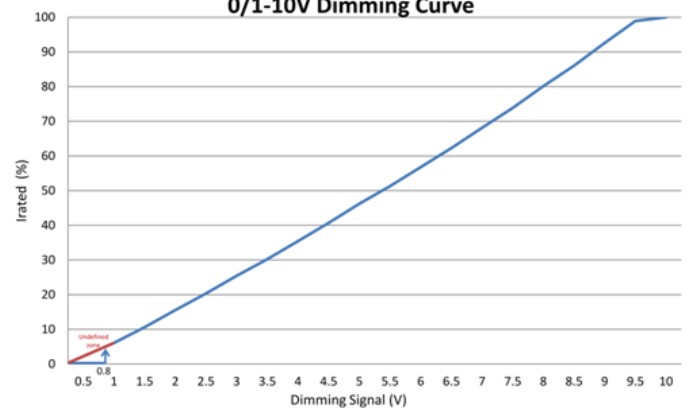


100 % load corresponds to the max output power.

THD vs Load



0/1-10V Dimming Curve

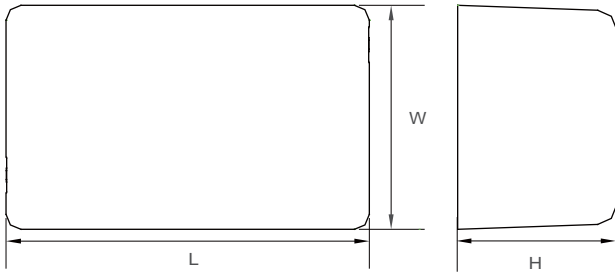


When dimming under 1V, the output current won't be defined.

Physical

Parameter

Clear type



L : 73 mm H : 25 mm

W : 45 mm

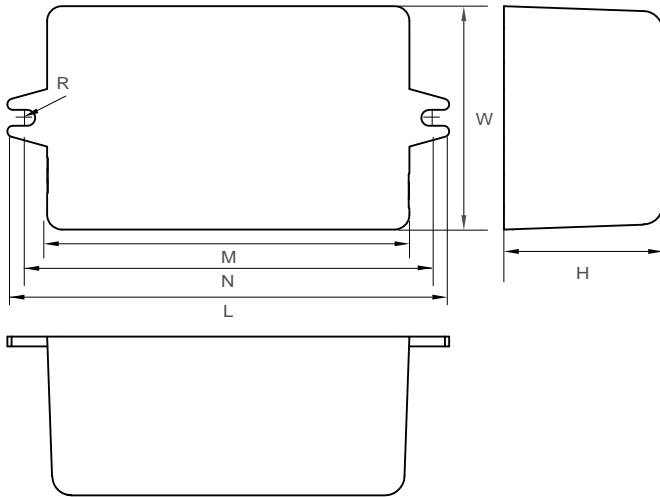
Tolerance : +/-1 mm

Housing Material : Polycarbonate / Potting

Soldering : Lead-Free, Comply With RoHS

Label : Surface Print

Screw clip type



L : 88 mm N : 80.3 mm H : 25 mm

M : 73 mm W : 45 mm R : 1.6 mm

Tolerance : +/-1 mm , R : +/-0.5 mm

Housing Material : Polycarbonate / Potting

Soldering : Lead-Free, Comply With RoHS

Label : Surface Print

Wiring Diagram

