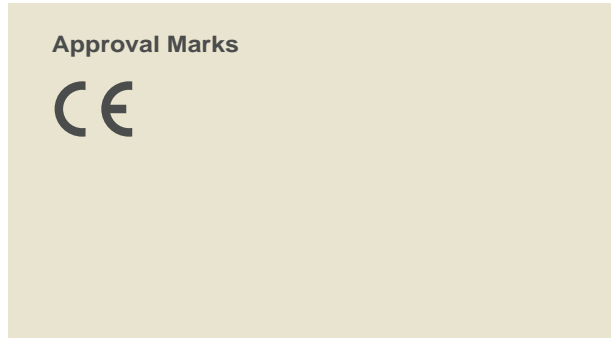


Adjustable Output Current LED Driver with Low output ripple



Electronic

Parameter	Conditions	Min	Nom	Max	Unit
I/P Voltage Range		198	220-240	264	Vac
Input Frequency		47	50-60	63	Hz
Input Current	Full load @230Vac	-	-	310	mA
Output Voltage Range		30	-	42	Vdc
Output Current Range		1140	1200	1260	mA
		1235	1300	1365	mA
		1330	1400	1470	mA
Open-circuit Voltage		-	53	-	Vdc
Rated Output Power	Iout = 1200 mA	36	-	50.5	W
	Iout = 1300 mA	39	-	54.5	W
	Iout = 1400 mA	42	-	59	W
THD		-	-	15	%
Efficiency	Full Load	-	89	-	%
No-Load power	No load @230Vac	-	-	0.5	W
Rise Time		-	-	500	ms
Start-up Delay		-	-	500	ms
Output Current Overshoot		-	-	5	%
Light Pulsation	Full Load	-	-	5	%
Typical output LF current ripple	P-P @ Full Load	-	-	8	%
Power Factor	Full Load@230VAC	0.90	-	-	-
Protection	Short Circuit Protection	Auto recovery			
	Open circuit Protection	Max output voltage at no load			
	Over-Load Protection	Auto recovery			
Case Temperature(Tc)		-	-	+90	°C
External Operating Temperature		-20	-	+50	°C
Operating Humidity Range		10	-	95	%
Storage Temp. Range		-40	-	+85	°C
Lifetime	Full Load @ Ta = 50°C	-	50,000	-	hrs
Case Dimensions	Built-in : LXWXH	135	43	30	mm
	Independent : LXWXH	185	43	30	mm

Dip Switch - One driver offers 3 choosable output current

data subject to change

Order Code			
G5L60W1400CA	1200mA / 1300mA / 1400 mA		

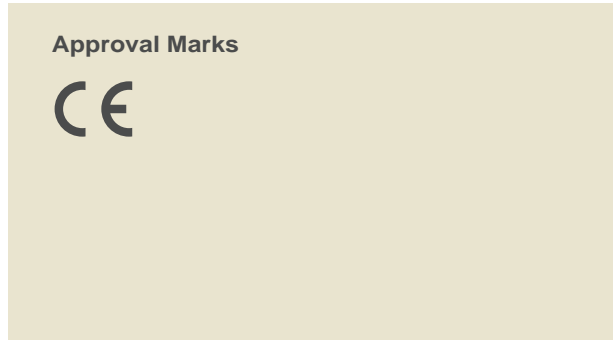


Regarding the independent type,DIP switch will be covered by white rubber.

Application:In case a independent installation is required, the same driver can be used by adding the side cover



Adjustable Output Current LED Driver with Low output ripple



▼ By adding side covers the built-in type simply easy as an independent unit.



▼ DIP switch is covered by white rubber.



Accessory kit :



**Strian-relief/
Cap**



**Strian-relief/
Bottom**



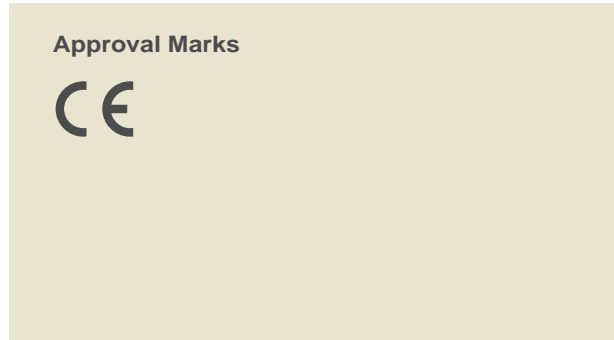
Screw



**Rubber
Plug**

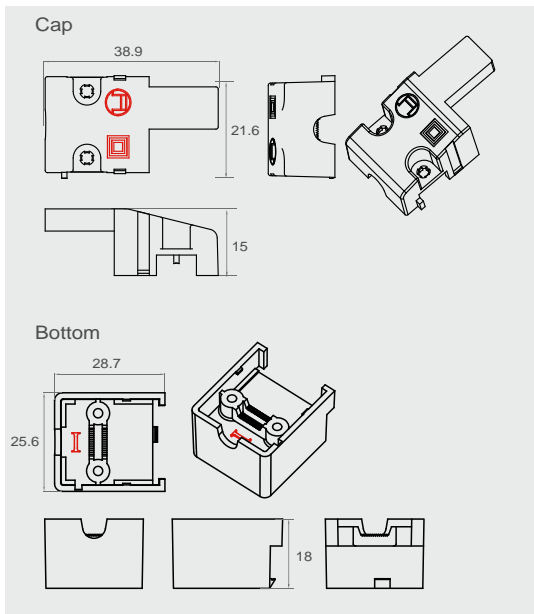
Contents	Diemension	Q'ty
Strian-relief / Cap	28.4x25.6x18mm	2
Strian-relief / Bottom	38.9x21.6x15mm	2
Rubber Plug	19.3x7.5x6mm	1
Screw	M3*10	4

Adjustable Output Current LED Driver with Low output ripple

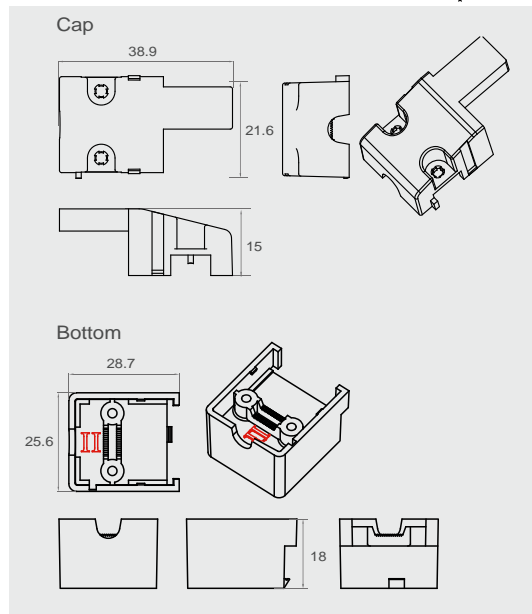


Strian-relief :

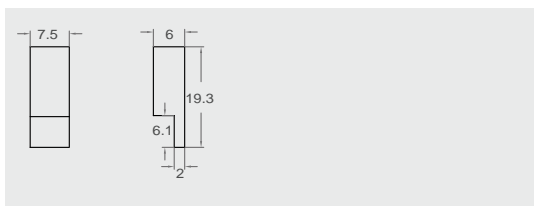
1. Strian-relief - Input



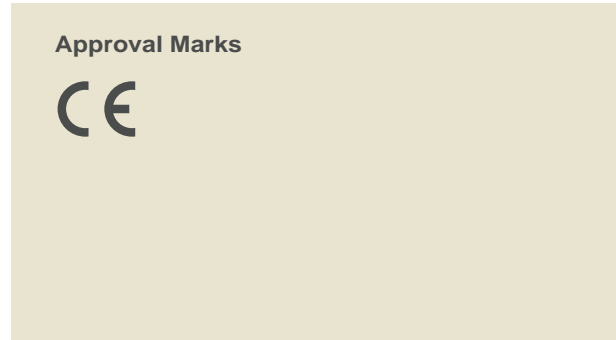
2. Strian-relief - Output



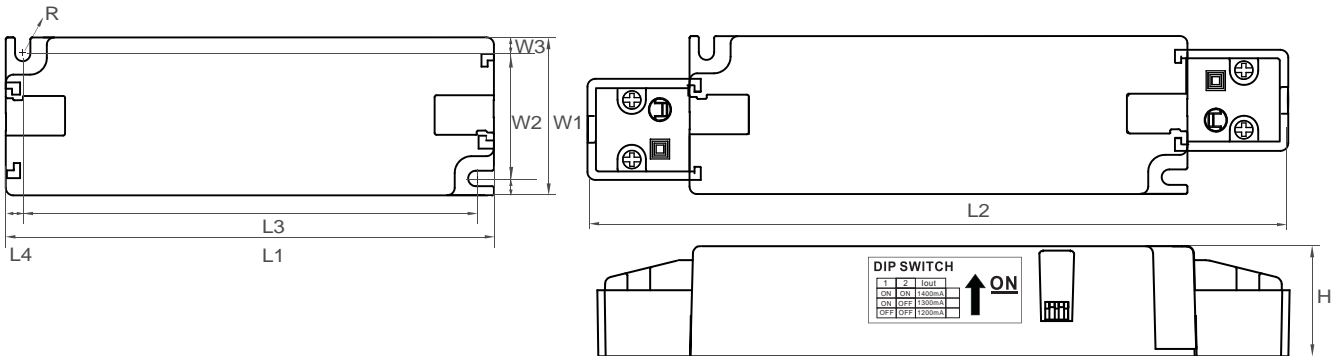
Rubber Plug:



Adjustable Output Current LED Driver with Low output ripple



Physical Parameter



* Side cover is removable *

Built-in : L 1: 135 mm W1: 43 mm W2: 34 mm W3: 4.6 mm
 L3: 125.5 mm L4: 4.9 mm H: 30 mm
 Independent : L2: 185 mm W1: 43 mm R: 2.1 mm H: 30 mm
 Tolerance : > +/-2mm
 Terminal Block : Push-Button

Housing Material : Polycarbonate
 Soldering : Lead-Free, Comply With RoHS
 Label : Surface Print
 Cable Cross Section : 0.75-1.5 □ / AWG 18-16
 Stripping : 9mm

Wire Dimension

Input / Output : Power cord
 Cable Cross Section : 0.5-1.5 □ / AWG 20-16



Wiring Diagram

