

12W Constant Current -LS Series

LS-12-XXX SI3



■Approve



■Features

- Class II, SELV, independent
- Input Voltage 220-240VAC
- Protections: SCP/OLP/OVP
- Power Factor 0.5C
- Efficiency ≥83%
- 5 years warranty

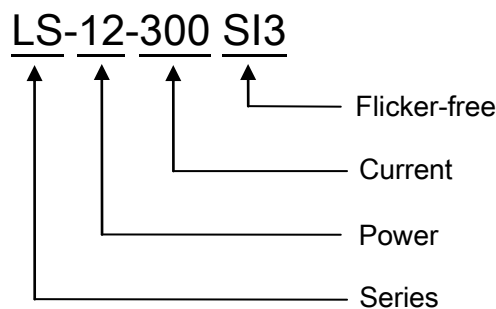
■Applications(Typ.)

- LED panel
- LED spot light
- LED down light
- COB light

■Description

LS-12-XXX SI3 is a 12W constant current LED driver that operates from 176-264Vac input with 250 to 600mA output current. With it's compact dimensions from 92 x 36 x 25mm it is easy to integrate in LED Panel, spot, down and COB light products. To ensure trouble-free operation, protection is provided against output short circuit and over Load.

■Model code



12W Constant Current -LS Series

LS-12-XXX S13

■ Specification

Input	Rated input voltage	220-240VAC				
	Range of input voltage	176-264VAC				
	DC voltage range	176-280V				
	Frequency(Hz)	0/50/60 Hz				
	Power Factor	0.5C@Full Load,240VAC				
	Input Current max (@Full Load,176VAC)	0.15A MAX.	0.2A MAX.	0.18A MAX.	...	0.18A MAX.
	Start-up time	< 0.5S				
	Unload Power Consumption	≤0.5W				
	Inrush Current	25A Max.				
	Leakage Current	< 0.7mA(240VAC)				
Output	Constant Current Max. *Note.3	250mA	350mA	400mA	...	600mA
	Unload voltage Max.	50 VDC	50 VDC	40 VDC	...	30 VDC
	Voltage Range(VDC)	30-42VDC	30-40VDC	20-30VDC	...	13-20VDC
	Rated power	10.5W Max.	14W Max.	12W Max.	...	12W Max.
	Current Accuracy	±5% @220-240VAC				
	Voltage Regulation	±5% @Full Load,220-240VAC				
	Load Regulation	±5% @220-240VAC				
	Hold-up Time	1s max.@Full Load				
	Ripple& Noise *Note.2	≤±5%@Full Load, 240VAC				
	Efficiency(Typ.)	≥83%@Full Load, 240VAC				
Protecti- on	Over Load Protection	103-120% Protection type: Auto Resume				
	Over Voltage Protection	> 50VDC	> 50VDC	> 40VDC	...	> 30VDC
	Short circuit Protection	Protection type: Auto Resume				
Environ- ment	Operating Temperature	-20°C...+45°C				
	tc	75°C				
	Storage Temperature	-25°C...+60°C				
	Life time	> 30,000h@45°C				
	Humidity	20%-90%RH				
Others	Dimension	92X36X25(LXWXH)mm				
Safety & EMC	Safety standards	EN 61347-1; EN61347-2-13; EN62384				
	Withstand voltage	Input-Output : 3750V/5mA/1min				
	Isolation resistance	Input-Output : ≥4MΩ@500VDC				
	EMI	EN55015; EN61000-3-2 Class A; EN61000-3-3				
	EMS	EN 61547; EN 61000-4-2; EN 61000-4-5 —1000V;				
Note	1.All parameters NOT specially mentioned are measured at 240VAC input , full load and 25°C of ambient temperature. 2.Ripple & Noise are measured at 20MHz of bandwidth by using a 300mm twisted pair-wire terminated with a 0.1uF & 47 uF parallel capacitor. 3.Output current can be 250mA to 600mA. Please see Model list below and contact EAGLERISE for details.					

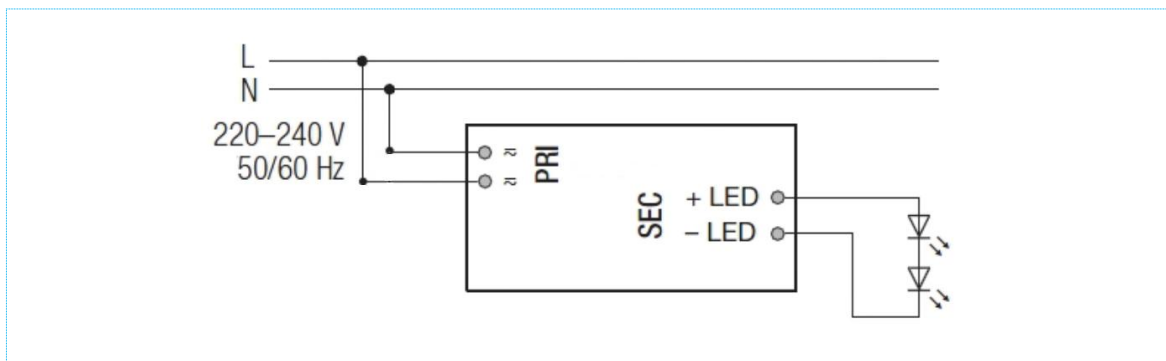
12W Constant Current -LS Series

LS-12-XXX SI3

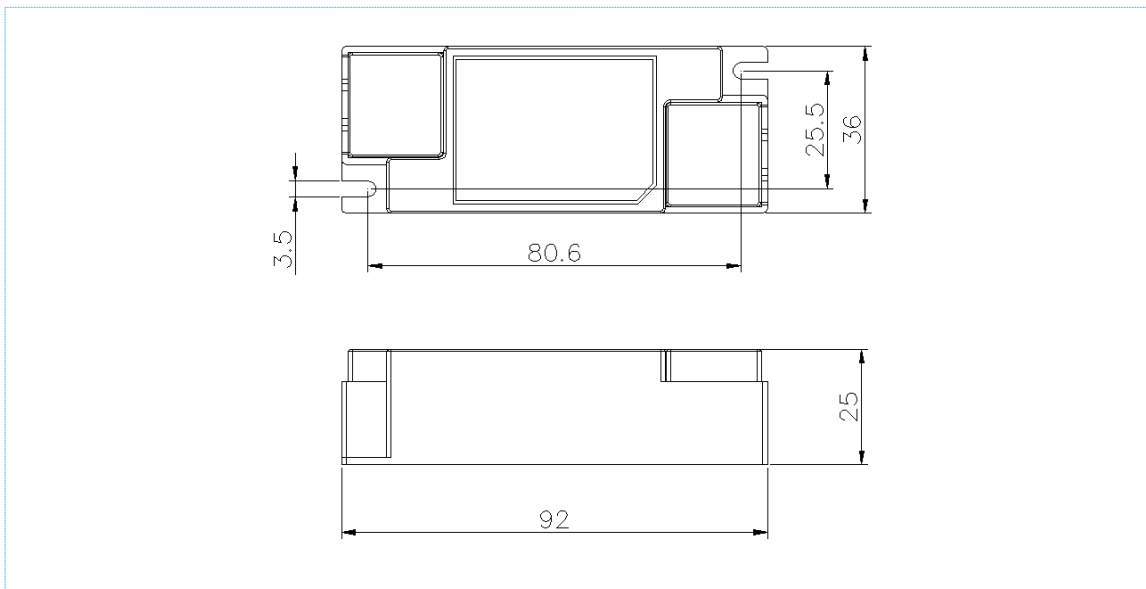
Model list

NO.	Model number	Input			Output			Max. Prated(W)	Approve
		Voltage (VAC)	Current (A)	Frequency (Hz)	Constant current (mA)	Normal working voltage (VDC)	No load working voltage (VDC)		
1	LS-12-250 SI3	220-240	0.15	50/60	250	30-42	50	10.5	CE,KEMA,ENEC, CB,RCM,CCC
2	LS-12-300 SI3	220-240	0.18	50/60	300	30-42	50	12.6	CE,KEMA,ENEC, CB,RCM,CCC
3	LS-12-350 SI3	220-240	0.2	50/60	350	30-40	50	14	CE,KEMA,ENEC, CB,RCM,CCC
4	LS-12-400 SI3	220-240	0.18	50/60	400	20-30	40	12	CE,ENEC, CB,RCM,CCC
5	LS-12-450 SI3	220-240	0.18	50/60	450	16-26	35	11.7	CE,ENEC, CB,RCM,CCC
6	LS-12-500 SI3	220-240	0.19	50/60	500	16-26	35	13	CE,ENEC, CB,RCM,CCC
7	LS-12-600 SI3	220-240	0.18	50/60	600	13-20	30	12	CE,ENEC,CCC

Wiring diagram-



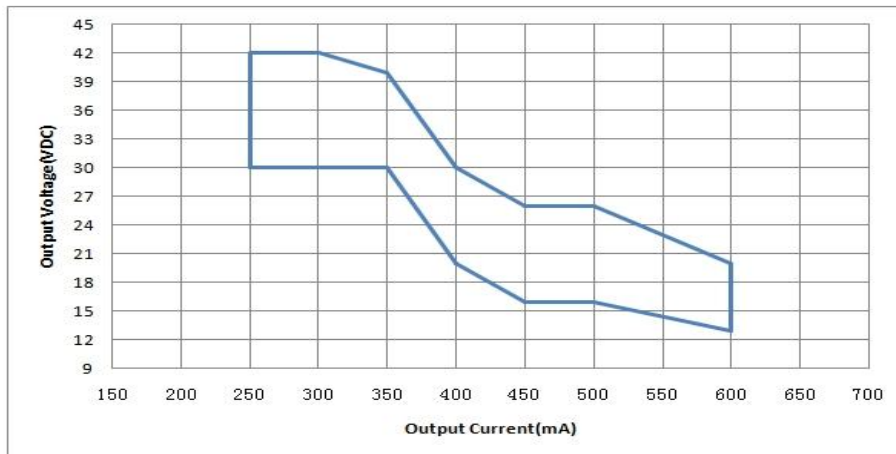
2D diagram



12W Constant Current -LS Series

LS-12-XXX S13

■ Operating window



— Operating window 100%