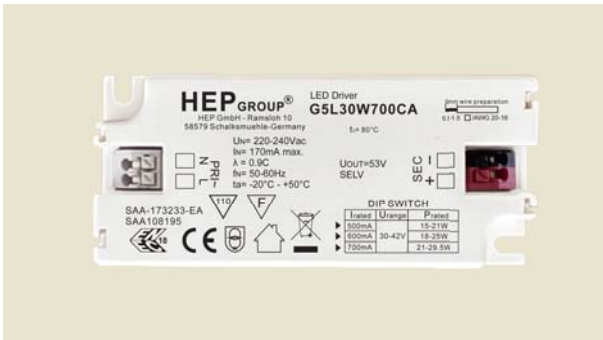


**Adjustable Output Current LED Driver with Low output ripple**



**Approval Marks**



SAA-173233-EA  
SAA108195

**Electronic**

Parameter	Conditions	Min	Nom	Max	Unit
I/P Voltage Range		198	220-240	264	Vac
Input Frequency		47	50-60	63	Hz
Input Current	Full load @230Vac	-	-	170	mA
Output Voltage Range		30	-	42	Vdc
Output Current Range		475	500	525	mA
		570	600	630	mA
		665	700	735	mA
Open-circuit Voltage		-	50	-	Vdc
Rated Output Power	Iout = 500 mA	15	-	21	W
	Iout = 600 mA	18	-	25	W
	Iout = 700 mA	21	-	29.5	W
THD		-	-	20	%
Efficiency	@Full Load , 230V / 700mA	-	89	-	%
No-Load power	No load @230Vac	-	-	0.5	W
Rise Time		-	-	500	ms
Start-up Delay		-	-	500	ms
Output Current Overshoot		-	-	5	%
Light Pulsation	Full Load	-	-	5	%
Typical output LF current ripple	P-P @ Full Load	-	-	5	%
Power Factor	Full Load@230VAC	0.90	-	-	-
Protection	Short Circuit Protection	Auto recovery			
	Open circuit Protection	Max output voltage at no load			
	Over-Load Protection	Auto recovery			
Case Temperature(Tc)		-	-	+75	°C
External Operating Temperature		-20	-	+50	°C
Operating Humidity Range		10	-	95	%
Storage Temp. Range		-40	-	+85	°C
Lifetime	Full Load @ Tc = 75°C	-	50,000	-	hrs
	Full Load @ Tc = 85°C	-	30,000	-	hrs
Case Dimensions	Built-in : LXWXH	97	44	30	mm
	Independent : LXWXH	147	44	30	mm

**Dip Switch - One driver offers 3 choosable output current**

\*data subject to change\*

Order Code			
G5L30W700CA	500mA / 600mA / 700 mA		

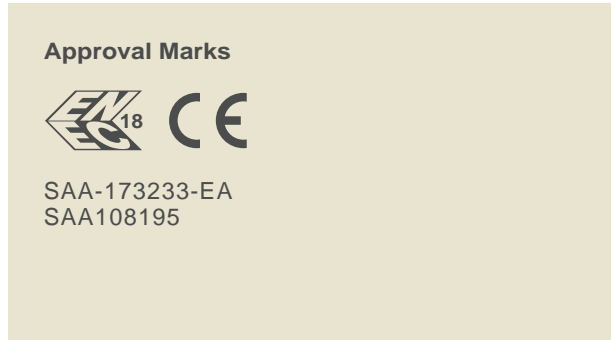
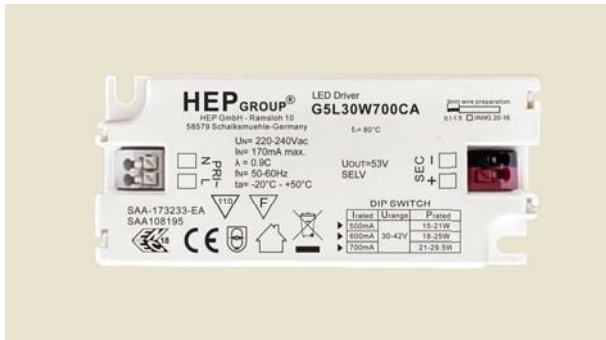


Regarding the independent type,DIP switch will be covered by white rubber.

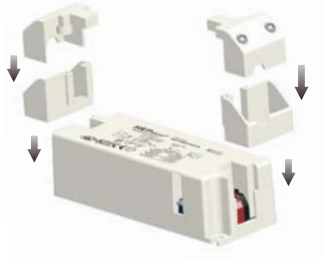
**Application:**In case a independent installation is required, the same driver can be used by adding the side cover



**Adjustable Output Current LED Driver with Low output ripple**



▼ By adding side covers the built-in type simply easy as an independent unit.



▼ DIP switch is covered by white rubber.



**Accessory kit :**



**Strian-relief/  
Cap**



**Strian-relief/  
Bottom**



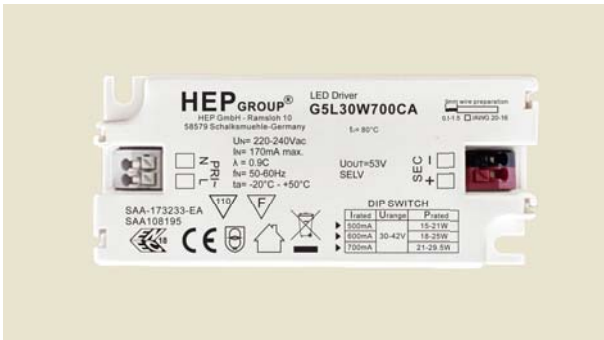
**Screw**



**Rubber  
Plug**

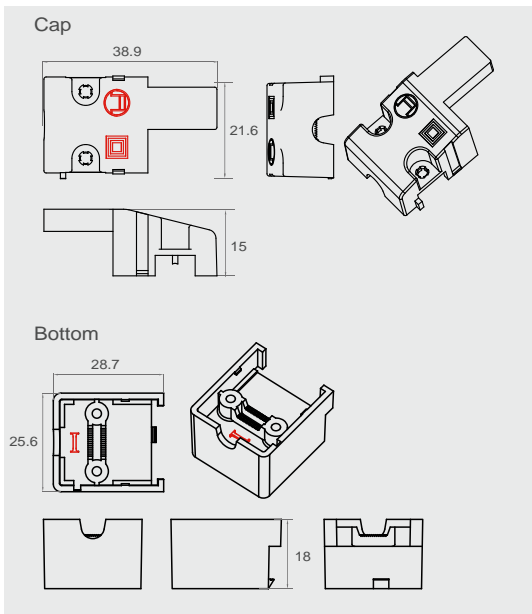
Contents	Diemension	Q'ty
Strian-relief / Cap	28.4x25.6x18mm	2
Strian-relief / Bottom	38.9x21.6x15mm	2
Rubber Plug	19.3x7.5x6mm	1
Screw	M3*10	4

**Adjustable Output Current LED Driver with Low output ripple**

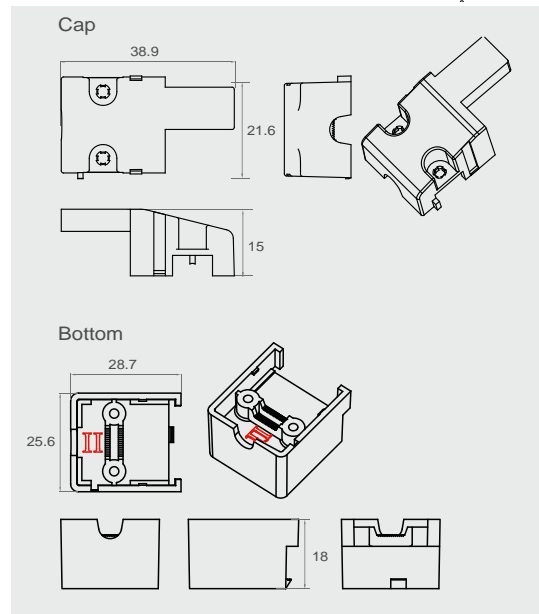


**Strian-relief :**

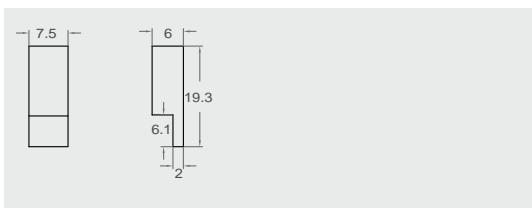
**1. Strian-relief - Input**



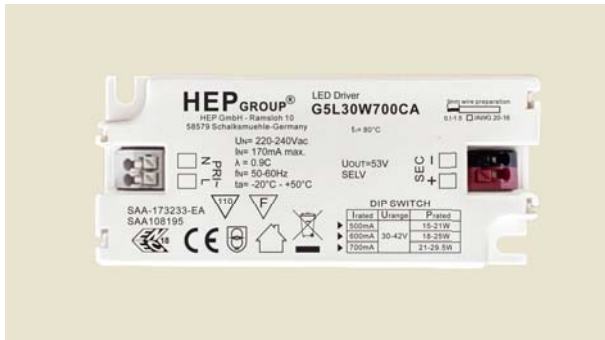
**2. Strian-relief - Output**



**Rubber Plug:**



Adjustable Output Current LED Driver with Low output ripple



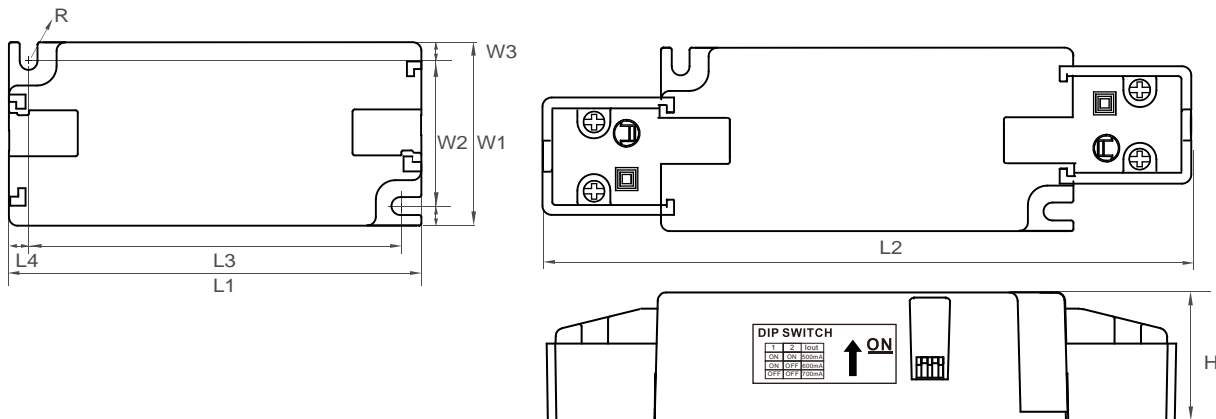
Approval Marks



SAA-173233-EA  
SAA108195

Physical

Parameter



\* Side covers are not include / needs to be ordered separately. \*

Built-in : L1 : 97 mm W1 : 43 mm W2 : 34 mm W3 : 4.6 mm  
 L3 : 87.5 mm L4 : 4.9 mm H : 30 mm  
 Independent : L2 : 147 mm W1 : 43 mm R : 2.1 mm H : 30 mm  
 Tolerance : > +/-2mm  
 Terminal Block : Push-Button

Housing Material : Polycarbonate  
 Soldering : Lead-Free, Comply With RoHS  
 Label : Surface Print  
 Cable Cross Section : 0.5-1.5 □ / AWG 20-16  
 Stripping : 9mm

Wire Dimension

Input / Output : Power cord

Cable Cross Section : 0.5-1.5 □ / AWG 20-16



Wiring Diagram

