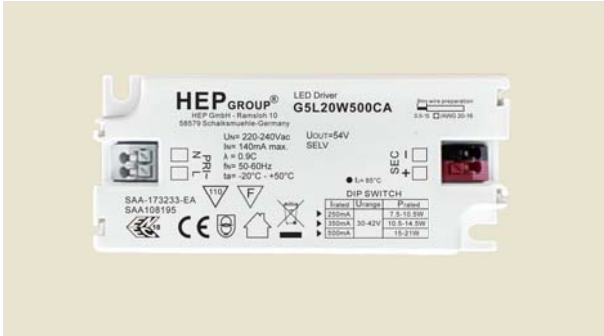


220-240VAC

Adjustable Output Current LED Driver with Low output ripple



Approval Marks

SAA-173233-EA
SAA108195

Electronic

Parameter	Conditions	Min	Nom	Max	Unit
I/P Voltage Range		198	220-240	264	Vac
Input Frequency		47	50-60	63	Hz
Input Current	Full load @230Vac	-	-	140	mA
Output Voltage Range		30	-	42	Vdc
Output Current Range		230	250	270	mA
		330	350	370	mA
		475	500	525	mA
Open-circuit Voltage		-	50	-	Vdc
Rated Output Power	I _{out} = 250 mA	7.5	-	10.5	W
	I _{out} = 350 mA	10.5	-	14.5	W
	I _{out} = 500 mA	15	-	21	W
THD		-	-	20	%
Efficiency	@Full Load , 230V / 500mA	-	84	-	%
No-load Power	No load @230Vac	-	-	0.5	W
Rise Time		-	-	500	ms
Start-up Delay		-	-	500	ms
Output Current Overshoot		-	-	5	%
Light Pulsation	Full Load	-	-	5	%
Typical output LF current ripple	P-P @Full Load	-	-	5	%
Power Factor	Full Load@230VAC	0.90	-	-	-
Protection	Short Circuit Protection	Auto recovery			
	Open circuit Protection	Max output voltage at no load			
	Over-Load Protection	Auto recovery			
Case Temperature(Tc)		-	-	+85	°C
External Operating Temperature		-20	-	+50	°C
Operating Humidity Range		10	-	95	%
Storage Temp. Range		-40	-	+85	°C
Lifetime	Full Load @ T _c = 75°C	-	50,000	-	hrs
	Full Load @ T _c = 85°C	-	30,000	-	hrs
Case Dimensions	Built-in : LXWXH	97	43	30	mm
	Independent : LXWXH	147	43	30	mm

Dip Switch - One driver offers 3 choosable output current

data subject to change

Order Code			
G5L20W500CA	250mA / 350mA / 500 mA		



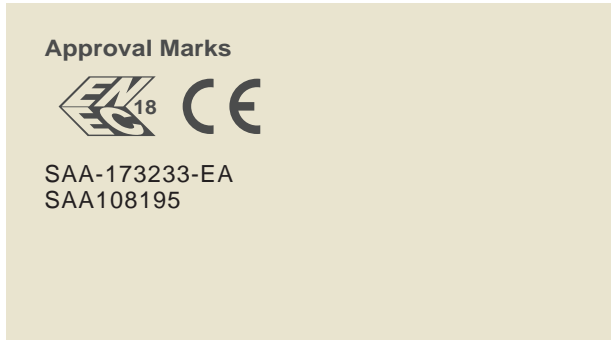
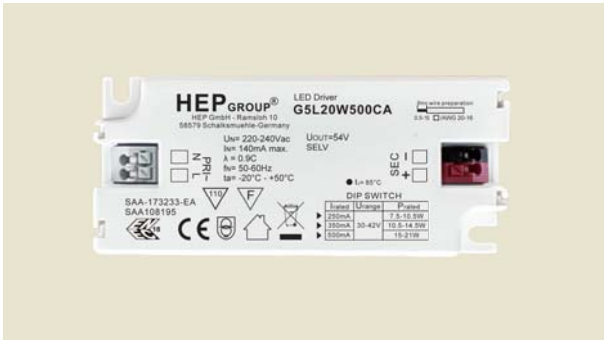
Regarding the independent type,DIP switch will be covered by white rubber.

Application:In case a independent installation is required, the same driver can be used by adding the side cover

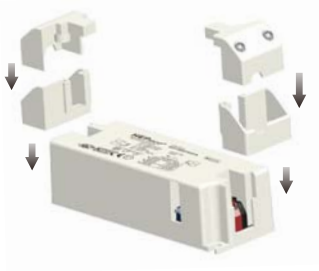


220-240VAC

Adjustable Output Current LED Driver with Low output ripple



▼ By adding side covers the built-in type simply easy as an independent unit.



▼ DIP switch is covered by white rubber.



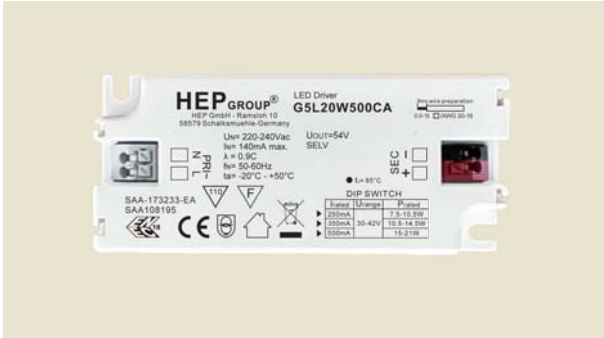
Accessory kit :



Contents	Diemension	Q'ty
Strian-relief / Cap	28.4x25.6x18mm	2
Strian-relief / Bottom	38.9x21.6x15mm	2
Rubber Plug	19.3x7.5x6mm	1
Screw	M3*10	4

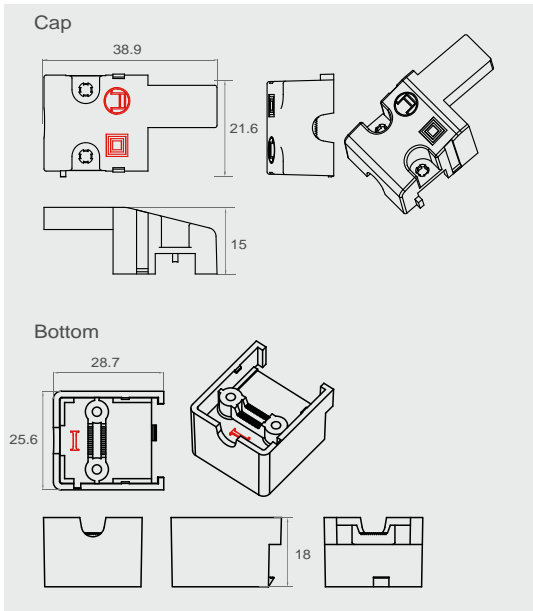
220-240VAC

Adjustable Output Current LED Driver with Low output ripple

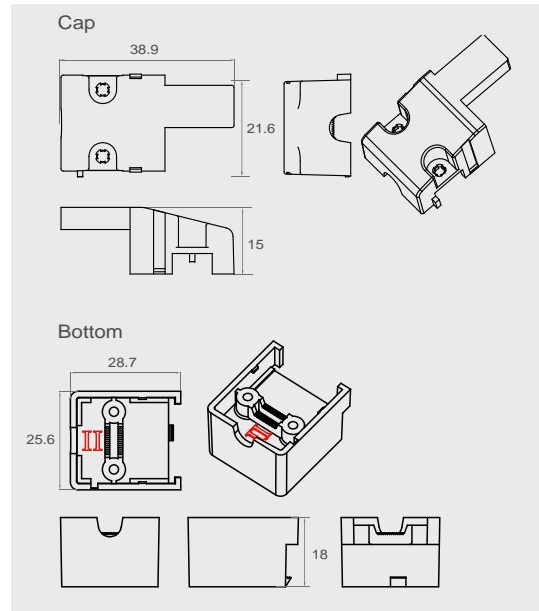


Strian-relief :

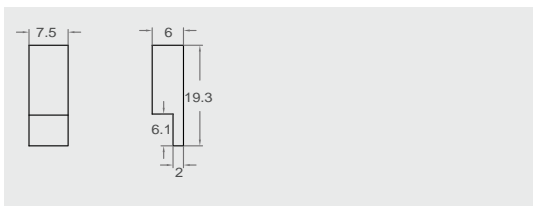
1. Strian-relief - Input



2. Strian-relief - Output

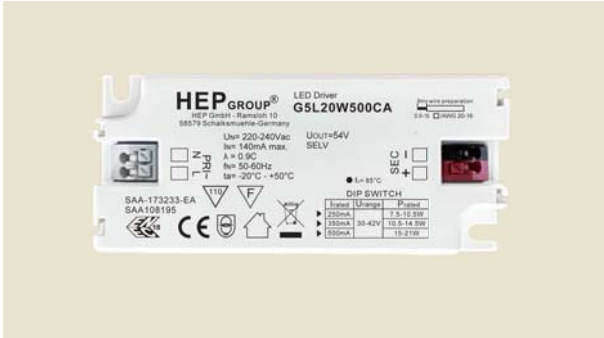


Rubber Plug:



220-240VAC

Adjustable Output Current LED Driver with Low output ripple



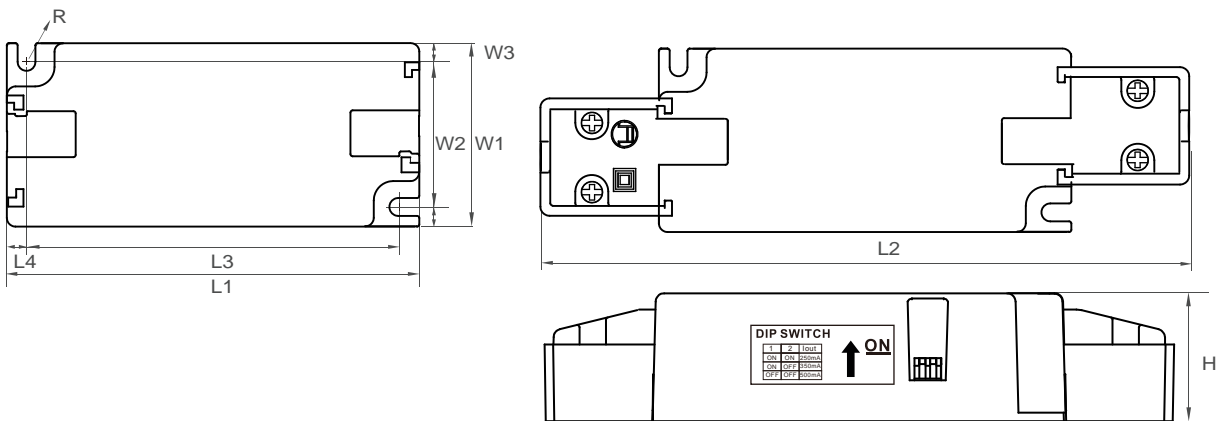
Approval Marks



SAA-173233-EA
SAA108195

Physical

Parameter



* Side covers are not include / needs to be ordered separately. *

Built-in : L1 : 97 mm W1 : 43 mm W2 : 34 mm W3 : 4.6 mm
 L3 : 87.5 mm L4 : 4.9 mm H : 30 mm
 Independent : L2 : 147 mm W1 : 43 mm R : 2.1 mm H : 30 mm
 Tolerance : > +/-2mm
 Terminal Block : Push-Button

Housing Material : Polycarbonate
 Soldering : Lead-Free, Comply With RoHS
 Label : Surface Print
 Cable Cross Section : 0.5-1.5 □ / AWG 20-16
 Stripping : 9mm

Wire Dimension

Input / Output : Power cord

Cable Cross Section : 0.5-1.5 □ / AWG 20-16



Wiring Diagram

