

Item	Value	Remark
Nominal voltage	220–240V	
Nominal frequency	50–60Hz	
AC voltage range	198–264V	
DC voltage range (start)	NA	
DC voltage range (operation)	NA	
Nominal current		
LNC40W500LRP-1C	170mA	
LNC40W600LRP-1C	205mA	
LNC40W700LRP-1C	240mA	
LNC40W800LRP-1C	210mA	
LNC40W850LRP-1C	225mA	
LNC40W900LRP-1C	240mA	
LNC40W950LRP-1C	215mA	
LNC40W1000LRP-1C	230mA	
LNC40W1050LRP-1C	240mA	
Total Harmonic Distortion (THD)	< 25%	Full load @230VAC
Power factor	0.9C	Full load @230VAC
Efficiency	85%(Typ.)	Full load @230VAC
No-load power	NA	
Stand-by power	<0.5W	
Protection class	NA	
Inrush current	6 A / 30 μs	
Earth leakage current	NA	
Nominal voltage range		
LNC40W500/600/700LRP-1C	40-57Vdc	
LNC40W800/850/900LRP-1C	30-44Vdc	
LNC40W950/1000/1050LRP-1C	27-38Vdc	
Maximum voltage		
LNC40W500/600/700LRP-1C	67Vdc	
LNC40W800/850/900LRP-1C	55Vdc	
LNC40W950/1000/1050LRP-1C	50Vdc	

	Item	Value	Remark
	Nominal current range		
	LNC40W500LRP-1C	500mA	
	LNC40W600LRP-1C	600mA	
	LNC40W700LRP-1C	700mA	
	LNC40W800LRP-1C	800mA	
	LNC40W850LRP-1C	850mA	
	LNC40W900LRP-1C	900mA	
	LNC40W950LRP-1C	950mA	
	LNC40W1000LRP-1C	1000mA	
	LNC40W1050LRP-1C	1050mA	
Output	Current accuracy	± 5%	
	Typical output LF current ripple	± 5%	Low Frequency<120Hz Full load @ 230VAC (Peak to Peak )
	Nominal power range		
	LNC40W500LRP-1C	20-28.5W	
	LNC40W600LRP-1C	24-34.2W	
	LNC40W700LRP-1C	28-39.9W	
	LNC40W800LRP-1C	24-35.2W	
	LNC40W850LRP-1C	25.5-37.4W	
	LNC40W900LRP-1C	27-39.6W	
	LNC40W950LRP-1C	25.7-36.1W	
	LNC40W1000LRP-1C	27-38W	
	LNC40W1050LRP-1C	28.4-39.9W	
	Maximum power	40W	
Dimming	Dimming control	0/1-10V	0V:Dimming Port Short
	Dimming technique	Amplitude	
	PWM frequency	NA	
	Dimming range	10-100%	1-10V
	Lowest dimming current	3-7%	1V : Full load @ 230VAC When dimming under 1V, the output current won't be defined.
	Galvanic isolation	Basic insulated to PRI and supplementary insulated to SEC	
Environment	Ambient temperature range $t_a$	-20°C...+50°C	
	Maximum case temperature $t_c$	80°C	$t_a = 50\text{ °C}$
	Max. case temp. in fault condition	110°C	When operating under fault conditions, the temperature of the enclosure at any location should not exceed 110 °C
	Storage temperature range	-40°C...+85°C	
	Relative humidity	10%...95%	
	Surge transient protection	1 kV	L/N
	Environmental rating	Indoor	
	IP rating	IP20	
	Mains switching cycles	> 100,000	
	Expected lifetime	> 50,000 h, $t_c 80\text{ °C}$ @ $t_a 50\text{ °C}$ > 100000 h, $t_c 70\text{ °C}$ @ $t_a 40\text{ °C}$	0.2 % / 1,000 h failure rate 0.1 % / 1,000 h failure rate
Packing	Gross weight/Carton	12.9 Kg	
	Net weight/Carton	11.9 Kg	
	Pcs/Carton	56 PCS	
	Dimension/Carton	490(L)*270(W)*225(H)mm	
<b>Protections</b>			
Short- & open circuit proof, Auto. overheat regulation or cut off, Overload protection			

## Conformity & Standards

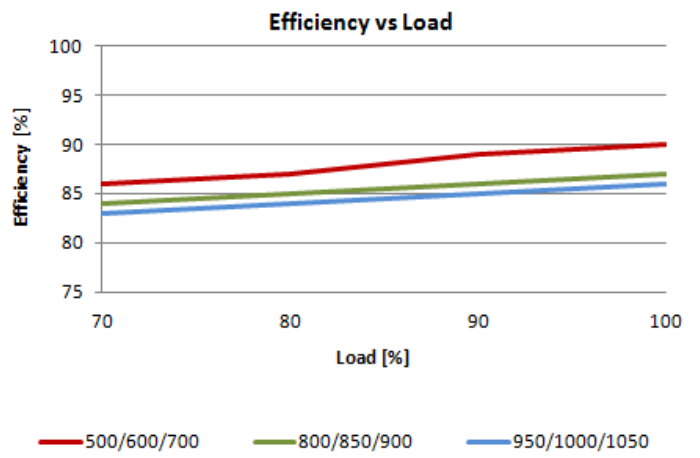
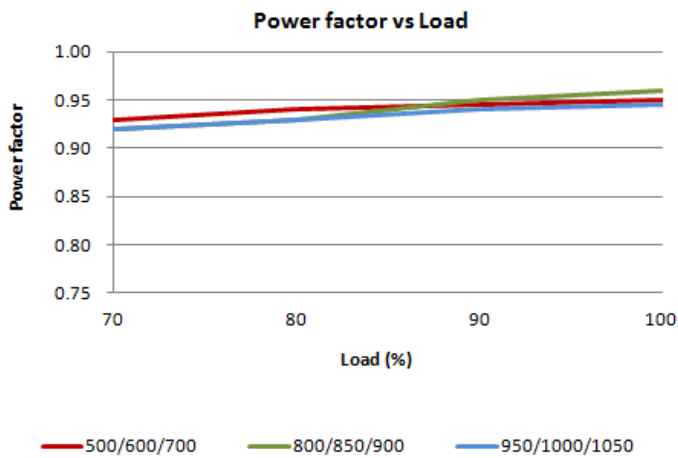
Safety standard:	EN 61347-1, EN 61347-2-13, EN 62493
Performance:	EN 62384
EMC standard:	EN 55015, EN 61000-3-2, EN 61000-3-3, EN 61547

## Cable information

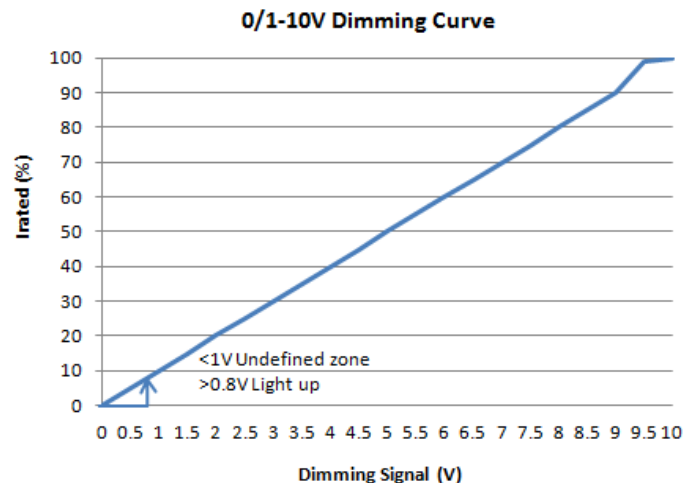
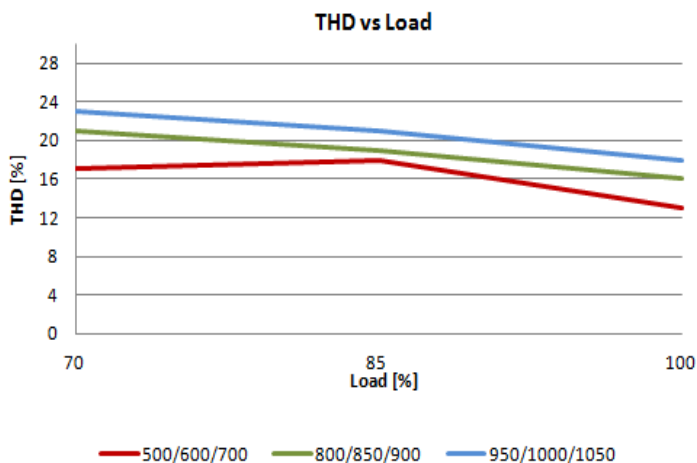
PRI Connection	L	N
Color	Brown	Blue
Wire type	7022	7022
Wire diameter	AWG18	AWG18
Wire length	128mm	128mm
Stripping	6mm	6mm

Sec Connection	+	-
Color	Red	Black
Wire type	1332	1332
Wire diameter	AWG20	AWG20
Wire length	149mm	149mm
Strip length	10mm	10mm

Control Input 1-10V	+	-
Color	Purple	Gray
Wire type	1332	1332
Wire diameter	AWG22	AWG22
Wire length	120mm	120mm
Stripping	10mm	10mm



100 % load corresponds to the max output power.

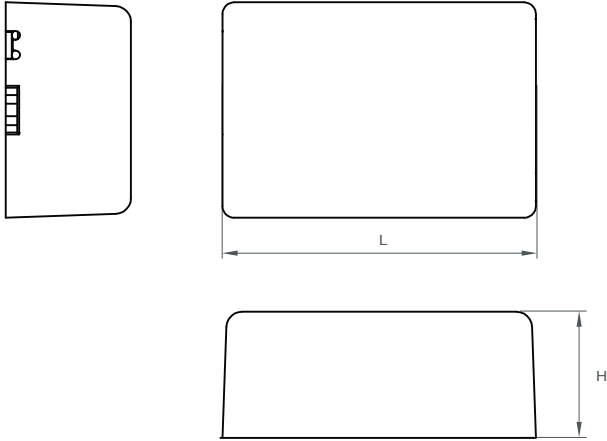


When dimming under 1V, the output current won't be defined.

**Physical**

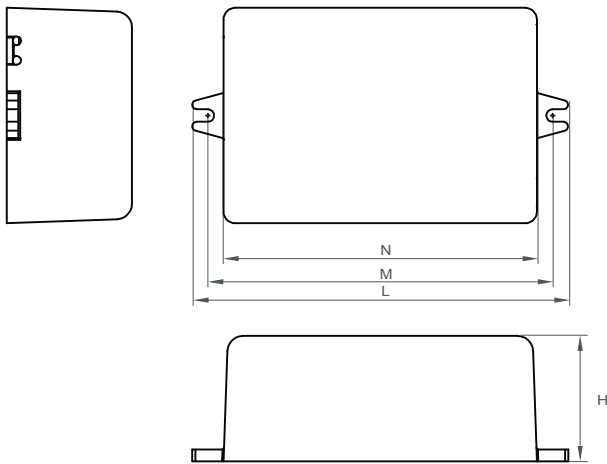
Parameter

Clear type



L : 80 mm    W: 55 mm    H: 32 mm  
 Tolerance : +/-1 mm  
 Housing Material : Polycarbonate / Potting  
 Soldering : Lead-Free, Comply With RoHS  
 Label : Surface Print

Screw clip type



L : 96 mm    M: 88.2 mm    N : 80 mm  
 W: 55 mm    H: 32 mm  
 Tolerance : +/-1 mm , R : +/-0.5 mm  
 Housing Material : Polycarbonate / Potting  
 Soldering : Lead-Free, Comply With RoHS  
 Label : Surface Print

**Wiring Diagram**

