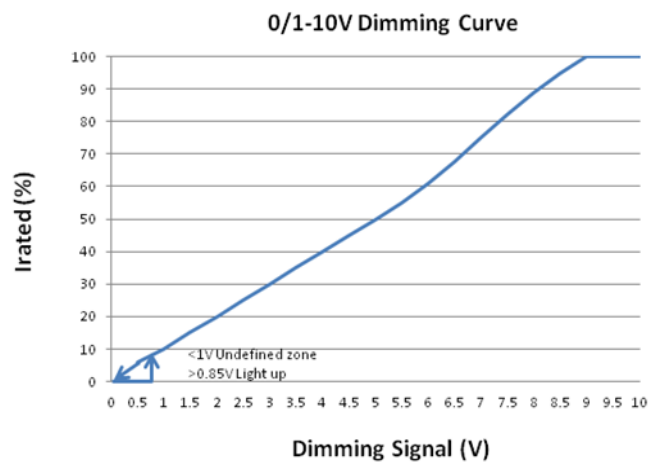
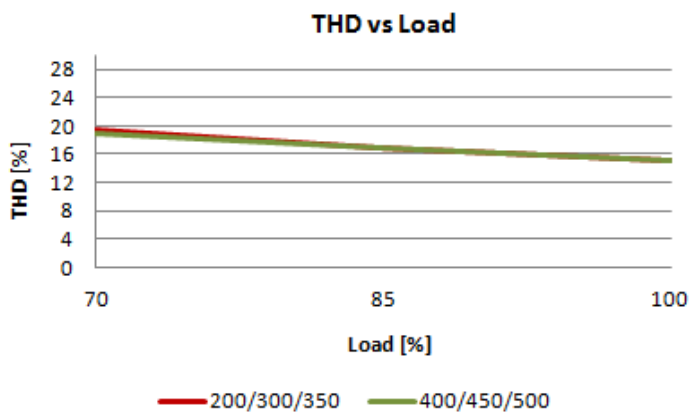
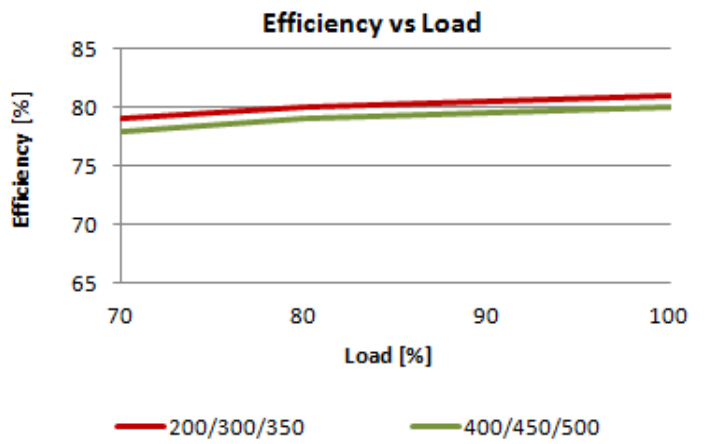
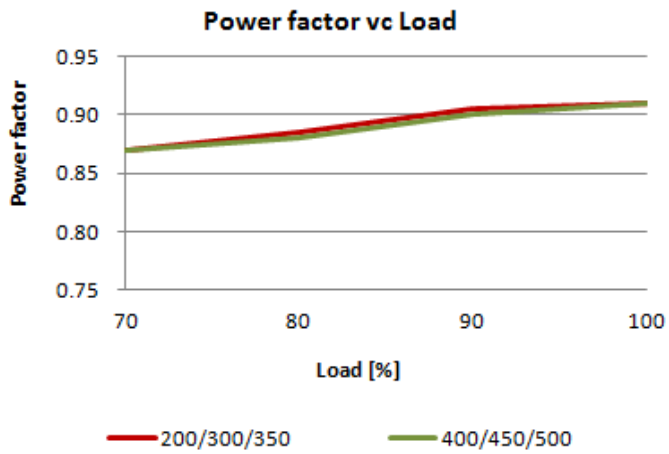




Item	Value	Remark
Nominal voltage	220–240V	
Nominal frequency	50–60Hz	
AC voltage range	198–264V	
DC voltage range (start)	NA	
DC voltage range (operation)	NA	
Nominal current		
LNC10W200/400LR-1C	55mA	
LNC10W300/450LR-1C	60mA	
LNC10W350/500LR-1C	65mA	
Total Harmonic Distortion (THD)	< 25%	Full load @ 230VAC
Power factor	> 0.8C	Full load @ 230VAC
Efficiency	75%(Typ.)	Full load @ 230VAC
No-load power	NA	
Stand-by power	< 0.5W	
Protection class	NA	
Inrush current	12 A / 40 μs	
Earth leakage current	0.3mA	
Nominal voltage range		
LNC10W200/300/350LR-1C	20-29 Vdc	
LNC10W400/450/500LR-1C	14-20 Vdc	
Maximum voltage		
LNC10W200/300/350LR-1C	37Vdc	
LNC10W400/450/500LR-1C	27Vdc	
Nominal current range		
LNC10W200LR-1C	200mA	
LNC10W300LR-1C	300mA	
LNC10W350LR-1C	350mA	
LNC10W400LR-1C	400mA	
LNC10W450LR-1C	450mA	
LNC10W500LR-1C	500mA	
Current accuracy		
LNC10W500/450/400/350/300LR-1C	± 5%	
LNC10W200LR-1C	± 7%	
Typical output LF current ripple	± 5%	Low Frequency<120Hz Full load @ 230VAC (Peak to Peak)

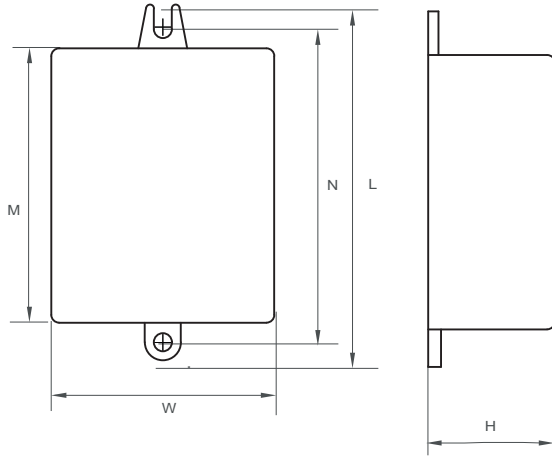
	Item	Value	Remark
Output	Nominal power range		
	LNC10W200LR-1C	4-5.8W	
	LNC10W300LR-1C	6-8.7W	
	LNC10W350LR-1C	7-10.1W	
	LNC10W400LR-1C	5.6-8W	
	LNC10W450LR-1C	6.3-9W	
	LNC10W500LR-1C	7-10W	
	Maximum power	12W	
Dimming	Dimming control	0/1-10V	0V:Dimming Port Short
	Dimming technique	Amplitude	
	PWM frequency	NA	
	Dimming range	10-100%	1-10V
	Lowest dimming current	2-10%	1V : Full load @ 230VAC When dimming under 1V, the output current won't be defined.
	Galvanic isolation	Basic insulated to PRI and supplementary insulated to SEC	
Environment	Ambient temperature range t_a	-20°C...+50°C	
	Maximum case temperature t_c	70°C	
	Max. case temp. in fault condition	110°C	When operating under fault conditions, the temperature of the enclosure at any location should not exceed 110 °C
	Storage temperature range	-25°C...+85°C	
	Relative humidity	10%...95%	
	Surge transient protection	1 kV	L/N
	Environmental rating	Indoor	
	IP rating	IP20	
	Mains switching cycles	> 100,000	
	Expected lifetime	> 50,000 h, t_c 70 °C @ t_a 50 °C > 80,000 h, t_c 60 °C @ t_a 40 °C	
Packing	Gross weight/Carton	Kg	
	Net weight/Carton	Kg	
	Pcs/Carton	96 PCS	
	Dimension/Carton	395(L)*350(W)*215(H)mm	
Protections			
Short- & open circuit proof, Auto. overheat regulation or cut off, Overload protection			
Conformity & Standards			
Safety:	EN 61347-1, EN 61347-2-13, EN 62493		
Performance:	EN 62384		
EMC standard:	EN 55015, EN 61000-3-2, EN 61000-3-3, EN 61547		
Cable information			
PRI Connection	L	N	
Color	Brown	Blue	
Wire type	7022	7022	
Wire diameter	AWG18	AWG18	
Wire length	139mm	140mm	
Stripping	6mm	6mm	
Sec Connection	+	-	
Color	Red	Black	
Wire type	1332	1332	
Wire diameter	AWG22	AWG22	
Wire length	138mm	136mm	
Strip length	6mm	6mm	

Control Input 1-10V	+	-
Color	Purple	Gray
Wire type	1332	1332
Wire diameter	AWG22	AWG22
Wire length	103mm	103mm
Stripping	10mm	10mm



When dimming under 1V, the output current won't be defined

Physical
Parameter



L : 69.3 mm W: 43.5 mm
M: 53.5 mm H : 24.6 mm
N : 61 mm

Tolerance : +/-1 mm , R : +/-0.5 mm

Housing Material : Polycarbonate
Soldering : Lead-Free, Comply With RoHS
Label : Surface Print

Wiring Diagram

