

Driver LC 75W 100–400mA 1-10V Ip EXC
excite 1–10V non-SELV series



Product description

- _ Constant current LED Driver for luminaire installation
- _ Dimmable via 1 ... 10 V interface
- _ Dimming range 10 – 100 % (Depending on load, for details refer to chapter 4.7 Dimming in data sheet.)
- _ For luminaires of protection class I and protection class II
- _ Adjustable output current between 100 and 400 mA via ready2mains Programmer or I-SELECT 2 plugs
- _ Max. output power 75 W
- _ Up to 94 % efficiency
- _ Nominal life-time up to 100,000 h
- _ 5-year guarantee

Housing properties

- _ Low profile metal casing with white cover
- _ Type of protection IP20

Interfaces

- _ ready2mains configuration
- _ 1 ... 10 V dimming interface
- _ Terminal blocks: 0° push terminals

Functions

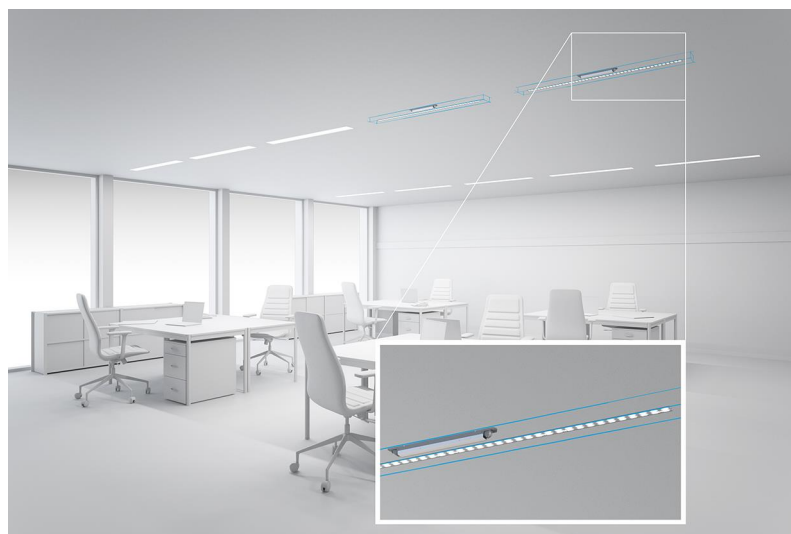
- _ Adjustable output current in 1-mA-steps (ready2mains, I-SELECT 2)
- _ Dimmable via 1 ... 10 V interface
- _ Protective features (overtemperature, short-circuit, overload, no-load, input voltage range)
- _ Intelligent Voltage Guard (overvoltage and undervoltage monitoring)
- _ Suitable for emergency escape lighting systems acc. to EN 50172

Benefits

- _ Application-oriented operating window for maximum compatibility
- _ Best energy savings due to high efficiency and dimming via 1 ... 10 V interface
- _ Flexible configuration via ready2mains and I-SELECT 2
- _ Reliability proven by life-time up to 100,000 h and 5-year guarantee

Typical applications

- _ For linear/area lighting in office applications



Website

<http://www.tridonic.com/28001807>



Spotlights



Downlights



Linear



Area



Floor | Wall



Free-standing



Street



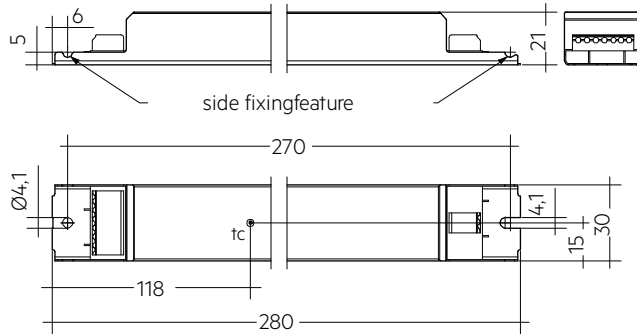
Decorative



High bay

Driver LC 75W 100–400mA 1-10V Ip EXC
excite 1–10V non-SELV series

The complete data sheet for this product is available in the Downloads section.



Ordering data

Type	Article number	Packaging, carton	Packaging, pallet	Weight per pc.
LC 75W 100-400mA 1-10V Ip EXC	28001807	10 pc(s).	960 pc(s).	0.189 kg

Technical data

Rated supply voltage	220 – 240 V
AC voltage range	198 – 264 V
DC voltage range	176 – 280 V
Mains frequency	0 / 50 / 60 Hz
Overvoltage protection	320 V AC, 48 h
Typ. rated current (at 230 V, 50 Hz, full load) ^{①②}	350 mA
Typ. current (220 V, 0 Hz, full load, 100 % dimming level) ^{②③}	360 mA
Leakage current (at 230 V, 50 Hz, full load) ^{①②}	< 250 µA
Max. input power	80.9 W
Typ. efficiency (at 230 V, 50 Hz, full load) ^②	94 %
λ (at 230 V, 50 Hz, full load) ^①	0.99
Typ. input current in no-load operation	24 mA
Typ. input power in no-load operation	0.6 W
In-rush current (peak / duration)	25.8 A / 280 µs
THD (at 230 V, 50 Hz, full load) ^①	< 10 %
Starting time (at 230 V, 50 Hz, full load) ^①	< 500 ms
Starting time (DC mode)	< 500 ms
Switchover time (AC/DC) ^④	< 0.2 s
Turn off time (at 230 V, 50 Hz, full load)	< 50 ms
Output current tolerance ^{①⑤}	± 5 %
Max. output current peak (non-repetitive)	≤ output current + 35 %
Output LF current ripple (< 120 Hz)	± 5 %
Output P_ST_LM	≤ 1
Output SVM	≤ 0.4
Max. output voltage (U-OUT)	250 V
Dimming range ^⑥	10 – 100 %
Mains surge capability (between L - N)	1 kV
Mains surge capability (between L/N - PE)	2 kV
Burst / surge peaks output side against PE	2 kV
Type of protection	IP20
Life-time	up to 100,000 h
Dimensions L x W x H	280 x 30 x 21 mm

Approval marks**Standards**

EN 55015, EN 60929, EN 61000-3-2, EN 61000-3-3, EN 61347-1, EN 61347-2-13, EN 62384, EN 61547, Acc. to EN 50172, Acc. to EN 60598-2-22

Specific technical data

Type	Output current ^{⑦⑧}	Min. forward voltage	Max. forward voltage	Max. output power	Typ. power consumption (at 230 V, 50 Hz, full load)	Typ. current consumption (at 230 V, 50 Hz, full load)	tc point max.	Ambient temperature ta	I-SELECT 2 resistor value
LC 75W 100-400mA 1-10V Ip EXC	100 mA	50 V	220 V	22.0 W	24.3 W	114 mA	75 °C	-25 ... +65 °C	-
LC 75W 100-400mA 1-10V Ip EXC	125 mA	50 V	220 V	27.5 W	30.3 W	139 mA	75 °C	-25 ... +65 °C	40.00 kΩ
LC 75W 100-400mA 1-10V Ip EXC	150 mA	50 V	220 V	33.0 W	34.3 W	156 mA	75 °C	-25 ... +65 °C	33.33 kΩ
LC 75W 100-400mA 1-10V Ip EXC	175 mA	50 V	220 V	38.5 W	41.9 W	188 mA	75 °C	-25 ... +65 °C	28.57 kΩ
LC 75W 100-400mA 1-10V Ip EXC	200 mA	50 V	220 V	44.0 W	48.4 W	215 mA	75 °C	-25 ... +65 °C	25.00 kΩ
LC 75W 100-400mA 1-10V Ip EXC	225 mA	50 V	220 V	49.5 W	53.8 W	238 mA	80 °C	-25 ... +60 °C	22.22 kΩ
LC 75W 100-400mA 1-10V Ip EXC	250 mA	50 V	220 V	55.0 W	58.8 W	260 mA	80 °C	-25 ... +60 °C	20.00 kΩ
LC 75W 100-400mA 1-10V Ip EXC	275 mA	50 V	220 V	60.5 W	64.8 W	285 mA	80 °C	-25 ... +60 °C	18.18 kΩ
LC 75W 100-400mA 1-10V Ip EXC	300 mA	50 V	220 V	66.0 W	70.7 W	311 mA	80 °C	-25 ... +60 °C	16.67 kΩ
LC 75W 100-400mA 1-10V Ip EXC	325 mA	50 V	220 V	71.5 W	76.5 W	336 mA	75 °C	-25 ... +55 °C	15.38 kΩ
LC 75W 100-400mA 1-10V Ip EXC	350 mA	50 V	214 V	75.0 W	80.6 W	353 mA	75 °C	-25 ... +55 °C	14.29 kΩ
LC 75W 100-400mA 1-10V Ip EXC	375 mA	50 V	200 V	75.0 W	80.9 W	355 mA	75 °C	-25 ... +55 °C	13.33 kΩ
LC 75W 100-400mA 1-10V Ip EXC	400 mA	50 V	188 V	75.0 W	80.6 W	354 mA	75 °C	-25 ... +55 °C	0.00 kΩ

① Valid at 100 % dimming level.

② Depending on the selected output current.

③ Valid for Drivers with „DC new“ on the label. For old version typ. current (220 V, 0 Hz, full load, 50 % dimming level) is 173 mA.

④ Valid for immediate change of power supply type otherwise the starting time is valid.

⑤ Output current is mean value.

⑥ The min. achievable dimming level depends on the connected load. For details refer to chapter 4.7 Dimming in data sheet.

⑦ The table only lists a number of possible operating points but does not cover each single point. The output current can be set within the total value range in 1-mA-steps.

⑧ Not compatible with I-SELECT (generation 1). Calculated resistor value.