

**Driver LCA 44W 700-1050mA flexC PH-C SR ADV**

advanced series

**Product description**

- \_ Dimmable constant current LED Driver (SELV)
- \_ Independent LED Driver with cable clamps
- \_ Dimmable via leading edge and trailing edge phase dimmers
- \_ Dimming range 5 to 100 % (depending on dimmer)
- \_ For luminaires of protection class I and protection class II
- \_ For luminaires with M and MM as per EN 60598, VDE 0710 and VDE 0711
- \_ Temperature protection as per EN 61347-2-13 C5e
- \_ Selectable output current between 700 and 1,050 mA
- \_ Max. output power 44 W
- \_ Up to 87 % efficiency
- \_ Nominal life-time up to 50,000 h
- \_ 5-year guarantee

**Housing properties**

- \_ Casing: polycarbonate, white
- \_ Type of protection IP20

**Interfaces**

- \_ Terminal blocks: 0° screw terminals

**Functions**

- \_ Overload protection
- \_ Short-circuit protection
- \_ No-load protection
- \_ Overtemperature protection
- \_ Burst protection voltage 1 kV
- \_ Surge protection voltage 1 kV (L to N)
- \_ Surge protection voltage 2 kV (L/N to earth)

**Website**

<http://www.tridonic.com/87500605>



Spotlights



Downlights



Linear



Area



Floor | Wall



Free-standing



Street



Decorative

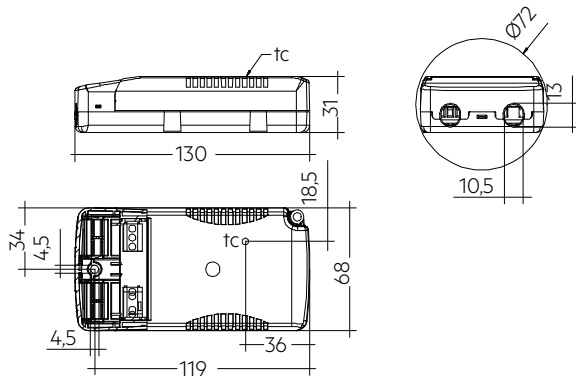


High bay

**Driver LCA 44W 700-1050mA flexC PH-C SR ADV**

advanced series

The complete data sheet for this product is available in the Downloads section.

**Ordering data**

| Type                                 | Article number | Packaging, carton | Packaging, low volume | Packaging, high volume | Weight per pc. |
|--------------------------------------|----------------|-------------------|-----------------------|------------------------|----------------|
| LCA 44W 700-1050mA flexC PH-C SR ADV | 87500605       | 50 pc(s).         | 400 pc(s).            | 2,000 pc(s).           | 0.175 kg       |

**Technical data**

|  |                       |
|--|-----------------------|
| Rated supply voltage   | 220 – 240 V           |
| AC voltage range   | 198 – 264 V           |
| Max. input current (at 230 V, 50 Hz, full load)                  | 0.22 A                |
| Leakage current (at 230 V, 50 Hz, full load)                     | < 500 µA              |
| Mains frequency  | 50 Hz                 |
| Overvoltage protection   | 320 V AC, 1 h         |
| Max. input power   | 53 W                  |
| Typ. power consumption (at 230 V, 50 Hz, full load) ①            | 50 W                  |
| Min. output power  | 18 W                  |
| Max. output power  | 44 W                  |
| Typ. efficiency (at 230 V, 50 Hz, full load) ①                   | 87 %                  |
| λ (at 230 V, 50 Hz, full load) ①                                 | 0.95                  |
| Output current tolerance ②③                                      | ± 7.5 %               |
| Max. output current peak ③                                       | Output current + 43 % |
| Max. output voltage (U-OUT)                                      | 60 V                  |
| THD (at 230 V, 50 Hz, full load)                                 | < 15 %                |
| Output LF current ripple (< 120 Hz)                              | ± 30 %                |
| Starting time (at 230 V, 50 Hz, full load)                       | ≤ 0.5 s               |
| Turn off time (at 230 V, 50 Hz, full load)                       | ≤ 0.5 s               |
| Hold on time at power failure (output)                           | 0 s                   |
| Ambient temperature <i>t<sub>a</sub></i> (at life-time 50,000 h) | 40 °C                 |
| Storage temperature <i>t<sub>s</sub></i>                         | -40 ... +80 °C        |
| Life-time  | up to 50,000 h        |
| Dimensions L x W x H   | 130 x 68 x 31 mm      |

**Approval marks****Standards**

EN 55015, EN 60598-1, EN 61000-3-2, EN 61000-3-3, EN 61347-1, EN 61347-2-13, EN 61547, EN 62384

## Specific technical data

| Type                                 | Output current <sup>①</sup> | Min. forward voltage | Max. forward voltage | Max. output power | Typ. power consumption (at 230 V, 50 Hz, full load) | Typ. current consumption (at 230 V, 50 Hz, full load) | tc point max. | Ambient temperature ta | I-out select   |
|--------------------------------------|-----------------------------|----------------------|----------------------|-------------------|---|---|---------------|------------------------|----------------|
| LCA 44W 700-1050mA flexC PH-C SR ADV | 700 mA                      | 28 V                 | 42 V                 | 30 W              | 34 W  | 150 mA  | 75 °C         | -20 ... +50 °C         | +LED / -700mA  |
| LCA 44W 700-1050mA flexC PH-C SR ADV | 1,050 mA                    | 28 V                 | 42 V                 | 44 W              | 50 W  | 220 mA  | 80 °C         | -20 ... +50 °C         | +LED / -1050mA |

① Test result at 1,050 mA.

② Output current is mean value.

③ Test result at 25 °C.