

**Driver LC 10W 250/350/500/700mA fixC SR SNC2**

essence series

**Product description**

- \_ Independent driver with strain-relief housing
- \_ Extra flat housing for constrained installation conditions (small ceiling cut outs and low ceiling voids)
- \_ Temperature protection as per EN 61347-2-13 C5e
- \_ Output current 250, 350, 500 or 700 mA
- \_ Max. output power 10 W
- \_ Nominal life-time up to 50,000 h
- \_ 5-year guarantee

**Housing properties**

- \_ Casing: polycarbonate, white
- \_ Type of protection IP20
- \_ Push-in terminals
- \_ 2 separate strain relief parts for input and output cables with highly robust clamps

**Functions**

- \_ Overload protection
- \_ Short-circuit protection
- \_ No-load protection
- \_ No output current overshoot at mains on/off
- \_ Burst protection voltage 1 kV
- \_ Surge protection voltage 0.5 kV (L to N)
- \_ Surge protection voltage 1 kV (L/N to earth)

**Typical applications**

- \_ For spot light and downlight in retail and hospitality applications
- \_ For panel light and area light in office and education application

**Website**

<http://www.tridonic.com/87500803>



Spotlights



Downlights



Linear



Area



Floor | Wall



Free-standing



Street



Decorative

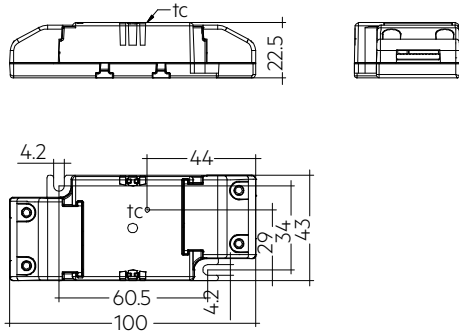


High bay

## Driver LC 10W 250/350/500/700mA fixC SR SNC2

essence series

The complete data sheet for this product is available in the Downloads section.



## Ordering data

Type	Article number	Packaging, carton	Packaging, low volume	Packaging, high volume	Weight per pc.
LC 10/500/20 fixC SR SNC2	87500803	39 pc(s).	819 pc(s).	5,733 pc(s).	0.053 kg

## Technical data

Rated supply voltage	220 – 240 V
AC voltage range	198 – 264 V
Mains frequency	50 / 60 Hz
Overvoltage protection	320 V AC, 1 h
THD (at 230 V, 50 Hz, full load)	≤ 150 %
Output current tolerance <sup>①</sup>	± 7.5 %
Typical output LF current ripple at full load	± 5 %
Starting time (at 230 V, 50 Hz, full load)	≤ 0.5 s
Turn off time (at 230 V, 50 Hz, full load)	≤ 0.5 s
Hold on time at power failure	0 s
Ambient temperature $t_a$	-25 ... +50 °C
Ambient temperature $t_a$ (at life-time 50,000 h)	40 °C
Storage temperature $t_s$	-40 ... +80 °C
Life-time	up to 50,000 h
Dimensions L x W x H	100 x 43 x 22.5 mm

## Approval marks

IP20 SELV RoHS

## Standards

EN55015, EN 60598-1, EN 61000-3-2, EN 61000-3-3, EN 61347-1, EN 61347-2-13, EN 61547, EN 62384

## Specific technical data

Type	Output current <sup>①</sup>	Input current (at 230 V, 50 Hz, full load)	Max. input power	Typ. power consumption (at 230 V, 50 Hz, full load)	Output power range	$\lambda$ at full load	Efficiency at full load	$\lambda$ at min. load	Efficiency at min. load <sup>②</sup>	Min. forward voltage	Max. forward voltage <sup>③</sup>	Max. output voltage (U-OUT)	Max. peak output current <sup>③</sup>	Max. casing temperature $t_c$
LC 10/500/20 fixC SR SNC2	500 mA	100 mA	13 W	12.3 W	5.5 – 10.0 W	0.55C	81 %	0.5C	79 %	11 V	20.0 V	60 V	565 mA	80 °C

<sup>①</sup> Output current is mean value.<sup>②</sup> Test result at 230 V, 50 Hz.<sup>③</sup> The trend between min. and full load is linear.