

## 15W Constant Current -CS Series

CS-15-350 SB



■Approve

SELV CE

### ■Features

- Class II, SELV, Built-in
- Input Voltage 220-240VAC
- Protections: SCP/OLP/OVP
- Power Factor 0.5C
- Efficiency  $\geq 84\%$
- 3 years warranty

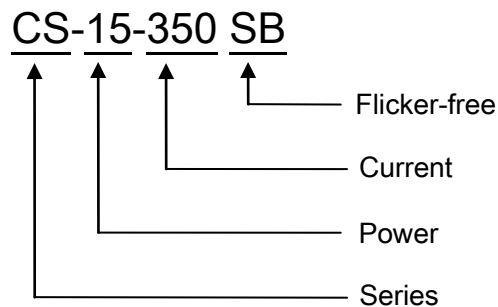
### ■Applications(Typ.)

- Spot light
- Wall light
- COB light

### ■Description

CS-15-350 SB is a 15W constant current LED driver that operates from 176-264Vac input with 350mA output current. With its compact dimensions from  $\Phi 42 \times 22\text{mm}$  it is easy to integrate in spot light, wall light and COB light products. To ensure trouble-free operation, protection is provided against output short circuit and over Load.

### ■Model code



## 15W Constant Current -CS Series

CS-15-350 SB

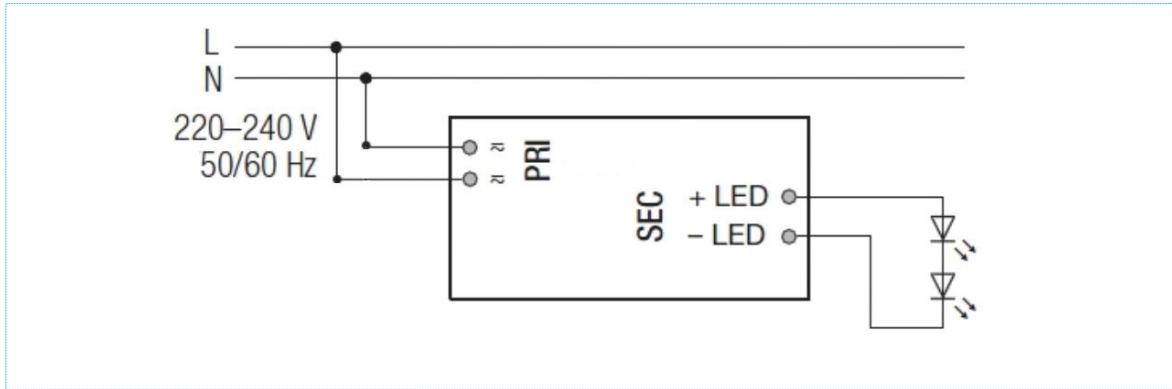
### ■ Specification

Input	Rated input voltage	220-240VAC
	Range of input voltage	176-264VAC
	DC input voltage	176-280V
	Frequency(Hz)	0/50/60 Hz
	Power Factor	0.5C@Full Load,240VAC
	Input Current max	0.22A MAX. @Full Load,176VAC
	Start-up time	< 0.5S
	Unload Power Consumption	≤0.5W
	Inrush Current	30A Max.
	Leakage Current	< 0.7mA(240VAC)
	Output	Constant Current Max.
Unload voltage Max.		50VDC
Voltage Range(VDC)		28-42VDC
Rated power		14.7W Max.
Current Accuracy		±5%@220-240VAC
Voltage Regulation		±5% @Full Load, 220-240VAC
Load Regulation		±5%@220-240VAC
Hold-up Time		1s max.@Full Load
Ripple& Noise *Note.2		≤±3%
Efficiency(Typ.)		≥84%
Protection	Over Load Protection	103-120% Protection type: Auto Resume
	Over Voltage Protection	> 50VDC Protection type: Auto Resume
	Short circuit Protection	Protection type: Auto Resume
Environment	Operating Temperature	-20°C...+60°C
	tc	85°C
	Storage Temperature	-25°C...+60°C
	Life time	> 30,000h@60°C
	Humidity	20%-90%RH
Others	Dimension	Φ42X22(DXH)mm
Safety & EMC	Safety standards	EN 61347-1; EN61347-2-13; EN62384
	Withstand voltage	Input-Output : 3750V/5mA/1min
	Isolation resistance	Input-Output : ≥4MΩ@500VDC
	EMI	EN55015; EN61000-3-2 Class A; EN61000-3-3
	EMS	EN 61547; EN 61000-4-2; EN 61000-4-5 —1000V;
Note	1.All parameters NOT specially mentioned are measured at 240VAC input , full load and 25°C of ambient temperature. 2.Ripple & Noise are measured at 20MHz of bandwidth by using a 300mm twisted pair-wire terminated with a 0.1uF & 47 uF parallel capacitor.	

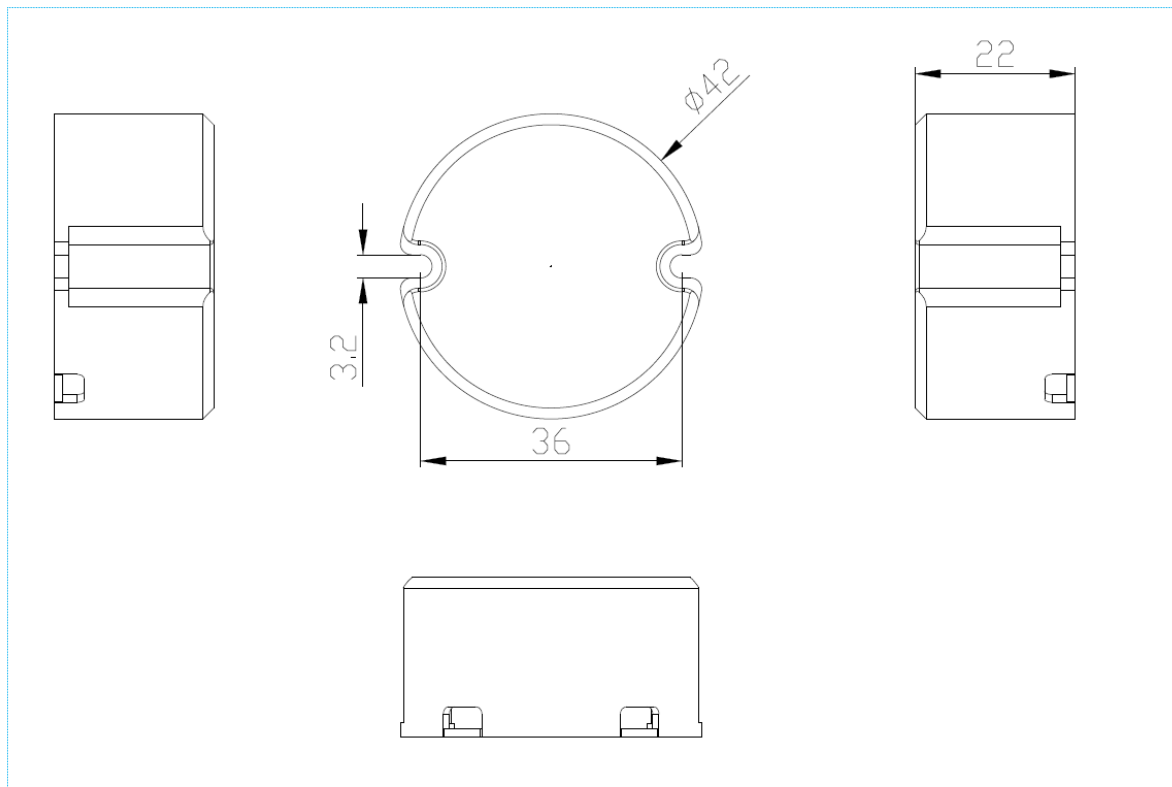
# 15W Constant Current -CS Series

CS-15-350 SB

## ■Wiring diagram



## ■2D diagram

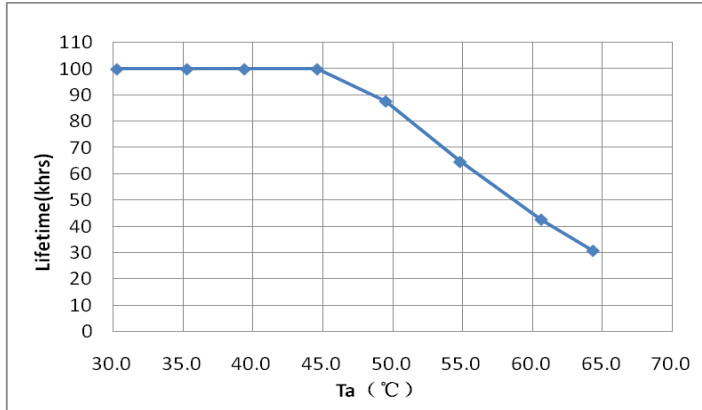


## 15W Constant Current -CS Series

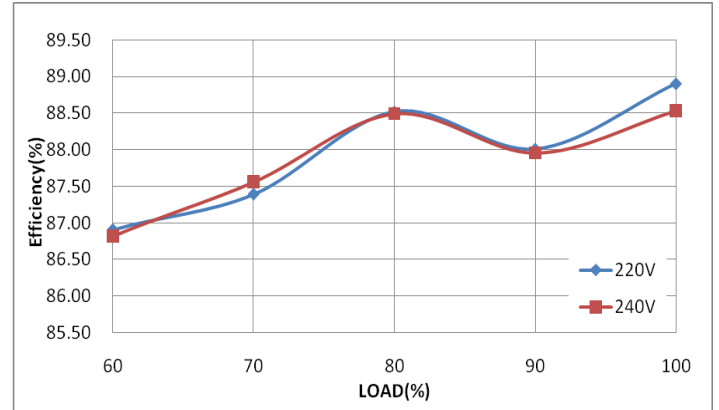
CS-15-350 SB

### Curve

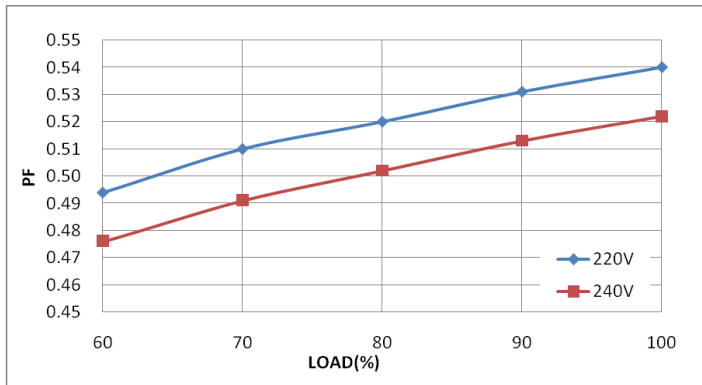
Lifetime vs. Ambient Temperature Curve



Efficiency vs. Load



Power Factor Characteristics



### Operating window

