

32W Constant Current -CS Series

CS-32-XXX LB



■ Approve

SELV



■ Features

- Class II, SELV, Built-in
- Input Voltage 220-240VAC
- Protections: SCP/OLP/OVP
- Power Factor >0.9
- Efficiency ≥86%
- 3 years warranty

■ Applications(Typ.)

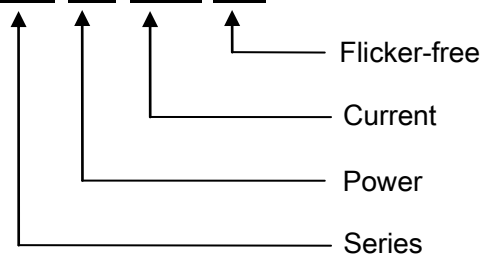
- Spot light
- Wall light
- COB light

■ Description

CS-32-XXX LB is a 32W constant current LED driver that operates from 176-264Vac input with 700/750/800mA output current. With it's compact dimensions from $\Phi 65 \times 28\text{mm}$ it is easy to integrate in spot light, wall light and COB light products. To ensure trouble-free operation, protection is provided against output short circuit and over Load.

■ Model code

CS-32-800 LB



32W Constant Current -CS Series

CS-32-XXX LB

■ Specification

Input	Rated input voltage	220-240VAC		
	Range of input voltage	176-264VAC		
	DC input voltage	176-280V		
	Frequency(Hz)	0/50/60 Hz		
	Power Factor	> 0.9@Full Load,240VAC		
	Input Current max @Full Load,176VAC	0.22A MAX.	0.24A MAX.	0.25A MAX.
	Start-up time	< 0.5S		
	Unload Power Consumption	≤0.5W		
	Inrush Current	20A Max.		
	Leakage Current	< 0.7mA(240VAC)		
	Output	Constant Current Max.	700mA	750mA
Unload voltage Max.		50VDC	50VDC	50VDC
Voltage Range(VDC)		28-42VDC	28-42VDC	28-40VDC
Rated power		29.4W Max.	31.5W Max.	32W Max.
Current Accuracy		±5%@220-240VAC		
Voltage Regulation		±5% @Full Load, 220-240VAC		
Load Regulation		±5%@220-240VAC		
Hold-up Time		1s max.@Full Load		
Ripple& Noise *Note.2		≤±3%		
Efficiency(Typ.)		≥86%		
Protection	Over Load Protection	103-120% Protection type: Auto Resume		
	Over Voltage Protection	> 50VDC Protection type: Auto Resume		
	Short circuit Protection	Protection type: Auto Resume		
Environment	Operating Temperature	-20°C...+60°C		
	tc	90°C		
	Storage Temperature	-25°C...+60°C		
	Life time	> 30,000h@60°C		
	Humidity	20%-90%RH		
Others	Dimension	Φ65X28(DXH)mm		
Safety & EMC	Safety standards	EN 61347-1; EN61347-2-13; EN62384		
	Withstand voltage	Input-Output : 3750V/5mA/1min		
	Isolation resistance	Input-Output : ≥4MΩ@500VDC		
	EMI	EN55015; EN61000-3-2 Class C; EN61000-3-3		
	EMS	EN 61547; EN 61000-4-2; EN 61000-4-5 —1000V;		
Note	1.All parameters NOT specially mentioned are measured at 240VAC input , full load and 25°C of ambient temperature. 2.Ripple & Noise are measured at 20MHz of bandwidth by using a 300mm twisted pair-wire terminated with a 0.1uF & 47 uF parallel capacitor. 3.Output current can be from 700mA to 800mA and increasing in multiples of 50mA. Please see Model list below and contact EAGLERISE for details.			

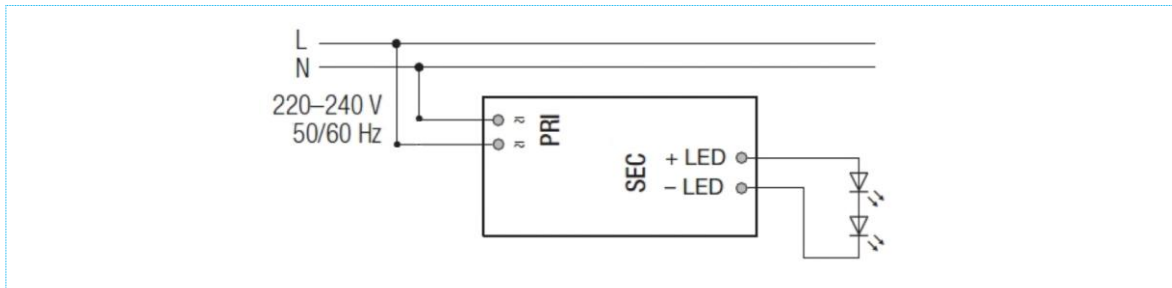
32W Constant Current -CS Series

CS-32-XXX LB

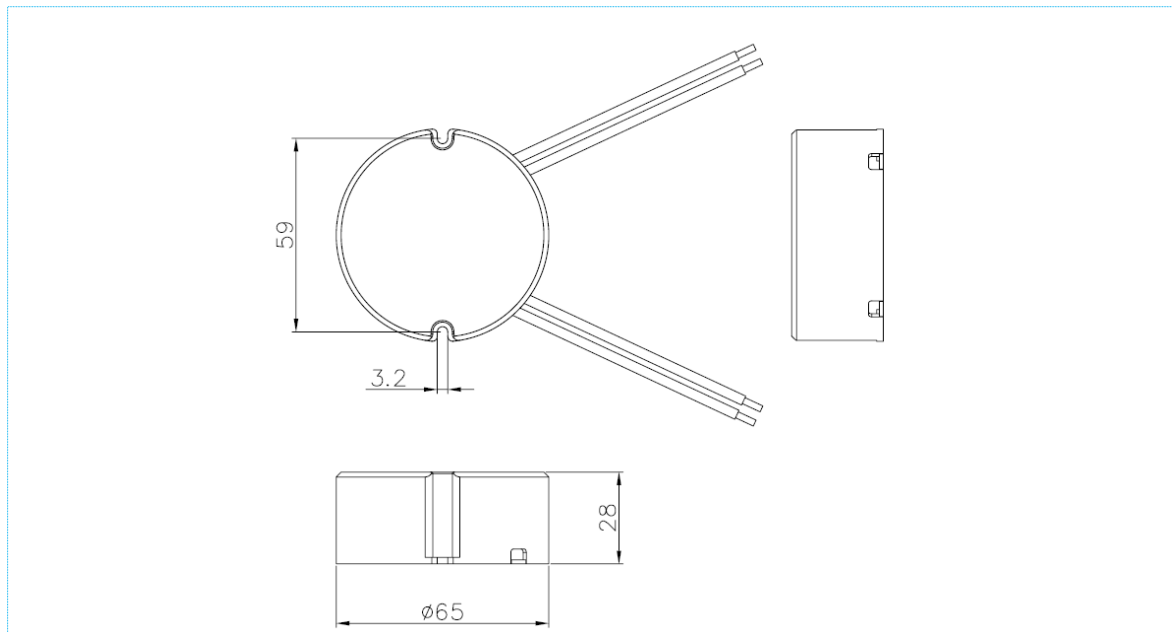
Model list

NO.	Model number	Input			Output			Max. Prated(W)
		Voltage (VAC)	Current (A)	Frequency (Hz)	Constant current (mA)	Normal working voltage (VDC)	No load working voltage (VDC)	
1	CS-32-700 LB	220-240	0.22	50/60	700	28-42	50	29.4
2	CS-32-750 LB	220-240	0.24	50/60	750	28-42	50	31.5
3	CS-32-800 LB	220-240	0.25	50/60	800	28-40	50	32

Wiring diagram



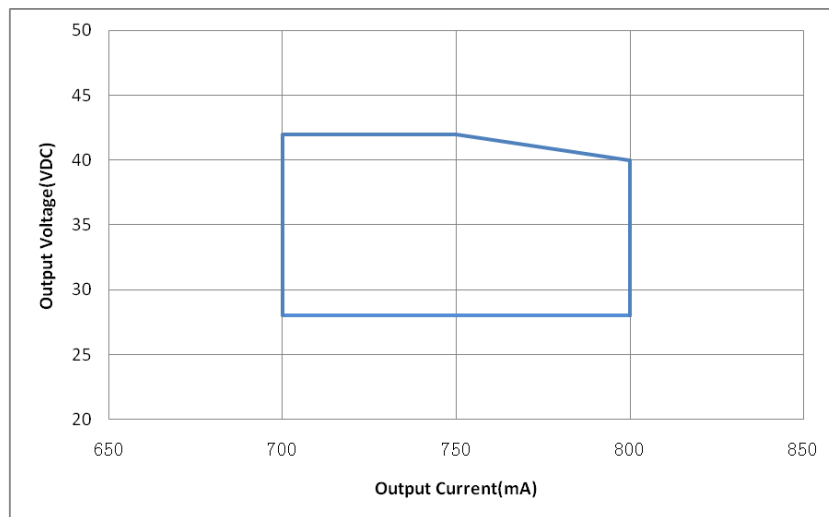
2D diagram



32W Constant Current -CS Series

CS-32-XXX LB

■ Operating window



— Operating window 100%