

40W Constant Current -CS Series

CS-40-1050 LB



■ Approve

SELV CE

■ Features

- Class II, SELV, Built-in
- Input Voltage 220-240VAC
- Protections: SCP/OLP/OVP
- Power Factor 0.95
- Efficiency $\geq 87\%$
- 5 years warranty

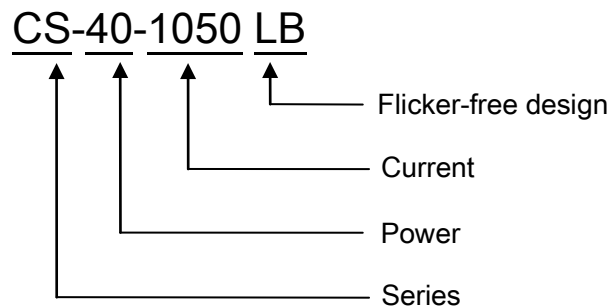
■ Applications(Typ.)

- Spot light
- Wall light
- COB light

■ Description

CS-40-1050 LB is a 40W constant current LED driver that operates from 198-264Vac input with 1050mA output current. With its compact dimensions from $\Phi 75 \times 26$ mm it is easy to integrate in spot light, wall light and COB light products. To ensure trouble-free operation, protection is provided against output short circuit and over Load.

■ Model code



40W Constant Current -CS Series

CS-40-1050 LB

■ Specification

Input	Rated input voltage	220-240VAC
	Range of input voltage	198-264VAC
	Frequency(Hz)	50/60 Hz
	Power Factor	0.95 Typ.@230VAC, Full Load,
	Input Current max	0.29A MAX. @Full load, 198Vac
	Start-up time	< 0.5S for ERP, Full Load
	Unload Power Consumption	≤0.5W
	Inrush Current	30A Max./180μs@230V, Full Load , 50%Ipk-50%Ipk
	THD	< 10%@230V, Full Load
	Leakage Current	< 0.7mA(240VAC)
Output	Constant Current Max.	1050mA
	Unload voltage Max.	50VDC
	Voltage Range(VDC)	30-40VDC
	Rated power	42W Max.
	Current Accuracy	±5%@220-240VAC
	Voltage Regulation	±5% @Full Load, 220-240VAC
	Load Regulation	±5%@220-240VAC
	Hold-up Time	1s max.@Full Load
	Ripple& Noise *Note.2	≤±3%
	Efficiency(Typ.)	≥87%@230VAC, Full Load
Protection	Over Load Protection	103-120% Protection type: Auto Resume
	Over Voltage Protection	> 50VDC Protection type: Auto Resume
	Short circuit Protection	Protection type: Auto Resume
Environment	Operating Temperature	-20°C...+50°C
	tc	85°C
	Storage Temperature	-25°C...+60°C
	Life time	≥44,000h@50°C,230VAC
	Humidity	20%-90%RH
Others	Dimension	Φ75X26(DXH)mm
Safety & EMC	Safety standards	EN 61347-1; EN61347-2-13; EN62384
	Withstand voltage	Input-Output : 3750V/5mA/1min
	Isolation resistance	Input-Output : ≥4MΩ@500VDC
	EMI	EN55015; EN61000-3-2 Class C; EN61000-3-3
	EMS	EN 61547; EN 61000-4-2; EN 61000-4-5 —1000V;
Note	1.All parameters NOT specially mentioned are measured at 230VAC input , full load and 25°C of ambient temperature. 2.Ripple & Noise are measured at 20MHz of bandwidth by using a 300mm twisted pair-wire terminated with a 0.1uF & 47 uF parallel capacitor.	

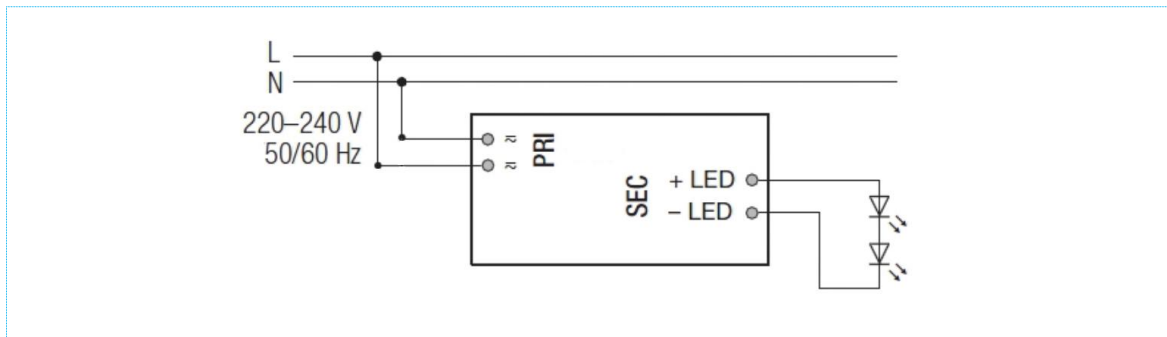
40W Constant Current -CS Series

CS-40-1050 LB

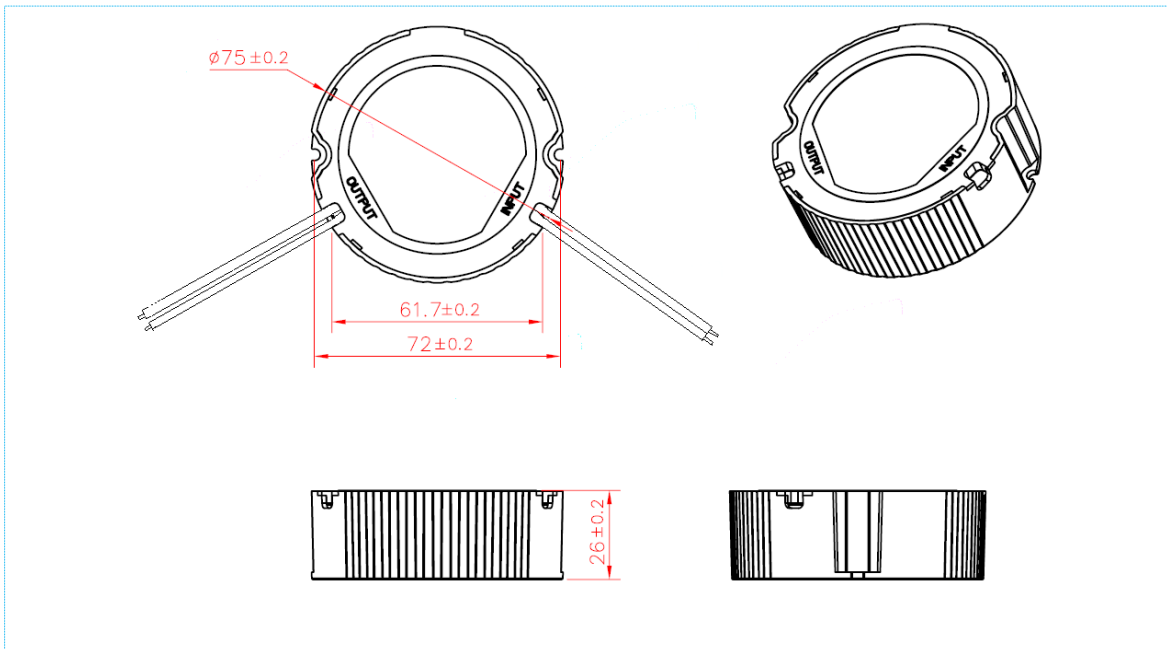
Model list

NO.	Model number	Input			Output			Max.Prated(W)
		Voltage (VAC)	Current (A)	Frequency (Hz)	Constant current (mA)	Normal working voltage (VDC)	No load working voltage (VDC)	
1	CS-40-1050 LB	220-240	0.29	50/60	1050	30-40	50	42

Wiring diagram



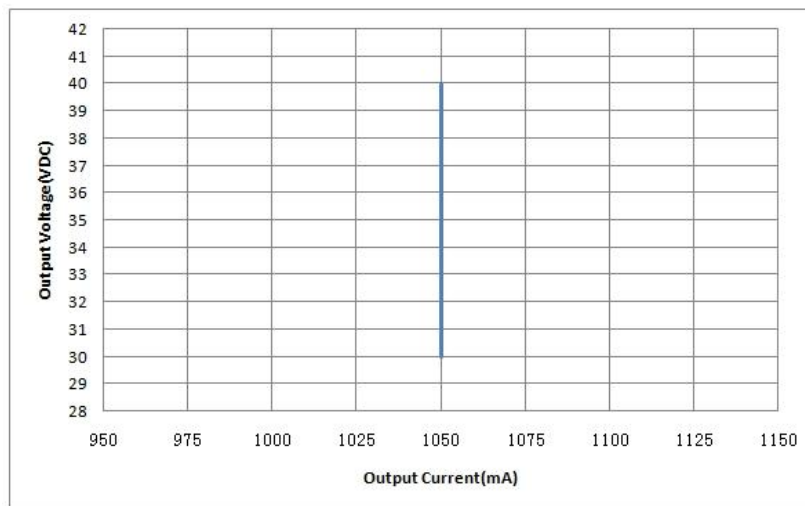
2D diagram



40W Constant Current -CS Series

CS-40-1050 LB

■ Operating window



— Operating window 100%