

44W Constant Current DALI-FLS Series

FLS-40-1050 DALI2 LA



■ Approve



■ Features

- Class II, SELV, independent
- Input Voltage 220-240VAC
- Protections: SCP/OLP/OVP/OTP
- Power Factor >0.95
- Efficiency ≥87%
- Support DALI II, Push Dimming
- 5 years warranty

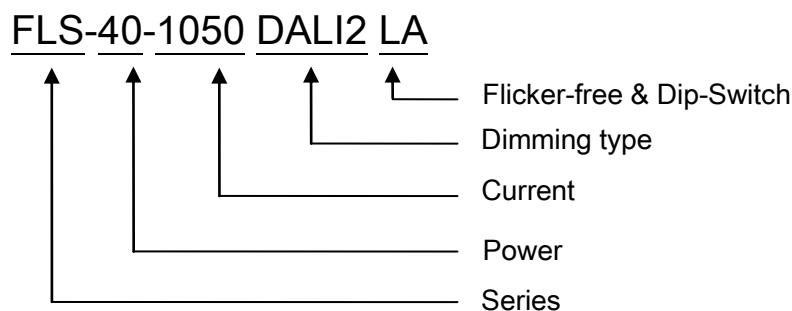
■ Applications(Typ.)

- LED strips
- LED panel
- Spot light
- Down light

■ Description

FLS-40-1050 DALI2 LA is a 44W constant current LED driver with 700 to 1050mA output current and a forward voltage range from 9 to 52Vdc. The output current is selectable by DIP Switch. With its dimensions from 187 x 45 x 30.5mm it is easy to integrate in LED Panel, spot and down light products. To ensure trouble-free operation, protection is provided against output short circuit and over Load.

■ Model code



44W Constant Current DALI-FLS Series

FLS-40-1050 DALI2 LA

■ Specification

Input	Rated input voltage	220-240VAC
	Range of input voltage	176-264VAC
	DC voltage range	176-280V
	Frequency(Hz)	0/50/60 Hz
	Power Factor	> 0.95@220-240VAC, full load
	Input Current max	0.34A MAX. @Full Load,176VAC
	Start-up time	< 1S
	Unload Power Consumption	≤0.5W
	Inrush Current	30A Max.
	THD	10% Typ. @Full Load,240VAC, Io=1050mA
	Leakage Current	< 0.7mA(240VAC)
	Output	Constant Current
Unload voltage Max.		60 VDC
Voltage Range(VDC)		9-52VDC
Rated power		44.1W Max.
Current Accuracy		±5% @220-240VAC
Voltage Regulation		±5% @220-240VAC, full load
Load Regulation		±5% @220-240VAC
Hold-up Time		1s max.@Full Load
Output HF current ripple *Note.2		≤±10% @Full Load,240VAC
Output LF current ripple(<120Hz)		≤±3% @Full Load,240VAC
Efficiency(Typ.)		≥87%
Dimming		Dimmable
	Dimming mode	DALI II, Push
	Dimming current range	1%~100%
Protection	Over Load Protection	103-120% Protection type: Latch off
	Over Voltage Protection	> 60VDC Protection type: Latch off
	Short circuit Protection	Protection type: Latch off
	Over Temperature protection	Protection type: Auto Resume
Environment	Operating Temperature	-20°C...+45°C
	tc	75°C
	Storage Temperature	-25°C...+60°C
	Life time	> 44,000h@45°C
	Humidity	20%-90%RH
Others	Dimension(LXWXH)	187X45X30.5mm
Safety & EMC	Safety standards	EN 61347-1; EN61347-2-13; EN62384
	Withstand voltage	Input-Output : 3750V/5mA/1min
	Isolation resistance	Input-Output : ≥4MΩ@500VDC
	EMI	EN55015; EN61000-3-2 Class C; EN61000-3-3
	EMS	EN 61547; EN 61000-4-2; EN 61000-4-5 —1000V;
Note	1.All parameters NOT specially mentioned are measured at 240VAC input , full load and 25°C of ambient temperature. 2.Ripple & Noise are measured at 20MHz of bandwidth by using a 300mm twisted pair-wire terminated with a 0.1uF & 47 uF parallel capacitor.	

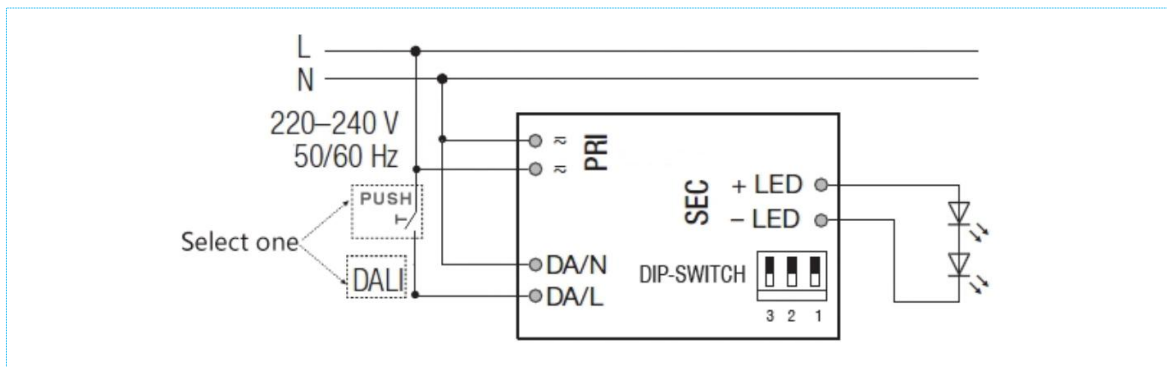
44W Constant Current DALI-FLS Series

FLS-40-1050 DALI2 LA

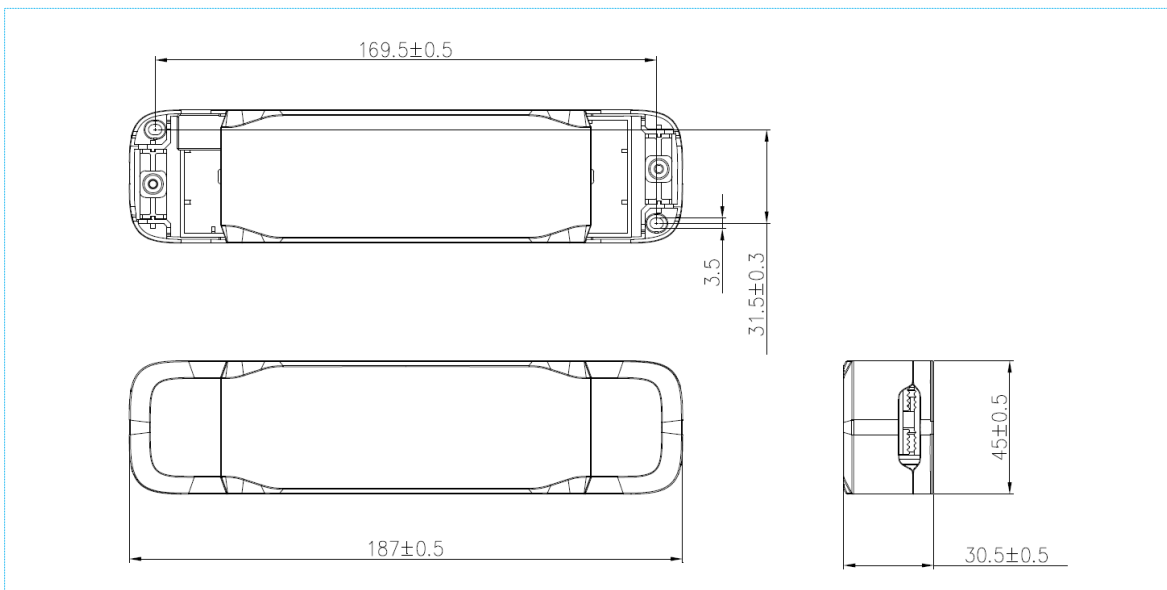
Adjustable Output Current with dip-switch

Vo	Po	Io	3	2	1
9-52VDC	36.4W	700mA	--	--	--
9-52VDC	39W	750mA	--	--	ON
9-52VDC	41.6W	800mA	--	ON	--
9-49VDC	41.7W	850mA	--	ON	ON
9-49VDC	44.1W	900mA	ON	--	--
9-46VDC	43.7W	950mA	ON	--	ON
9-44VDC	44W	1000mA	ON	ON	--
9-42VDC	44.1W	1050mA	ON	ON	ON

Wiring diagram



2D diagram

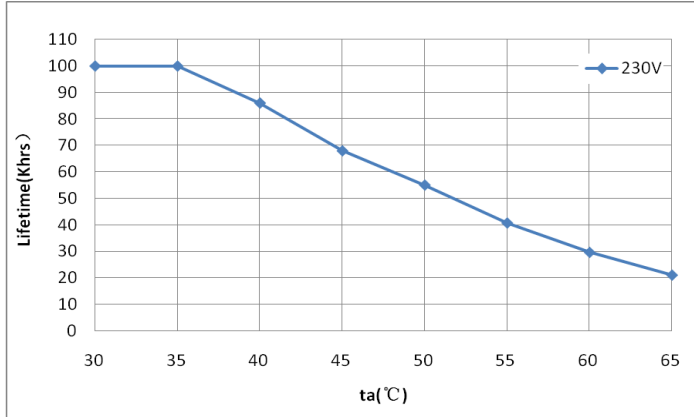


Curve for FLS-40-1050 DALI2 LA , Io=1050mA

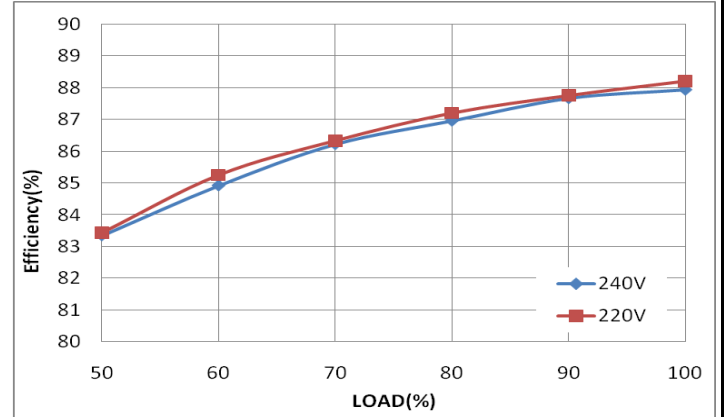
44W Constant Current DALI-FLS Series

FLS-40-1050 DALI2 LA

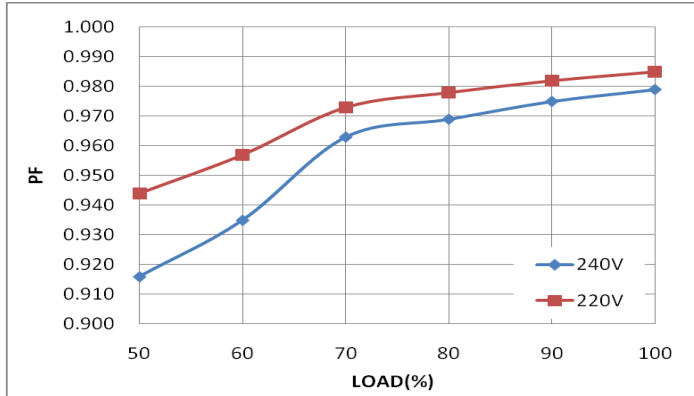
Lifetime vs. Ambient Temperature Curve



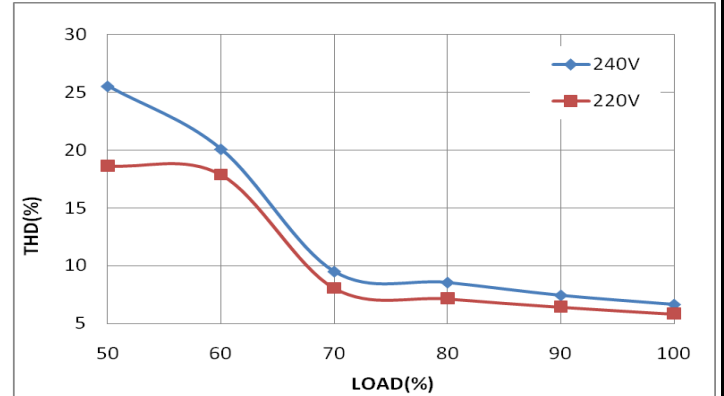
Efficiency vs. Load



Power Factor Characteristics



THD vs. Load



■ Operating window

