

## 20W Constant Current 0-10V-FLS Series

FLS-20-700 0-10 LA



■ Approve

SELV CE



### ■ Features

- Class II, SELV, independent
- Input Voltage 220-240VAC
- Protections: SCP/OLP/OVP
- Power Factor 0.9C
- Efficiency ≥84%
- Support 0-10V Dimming
- 5 years warranty

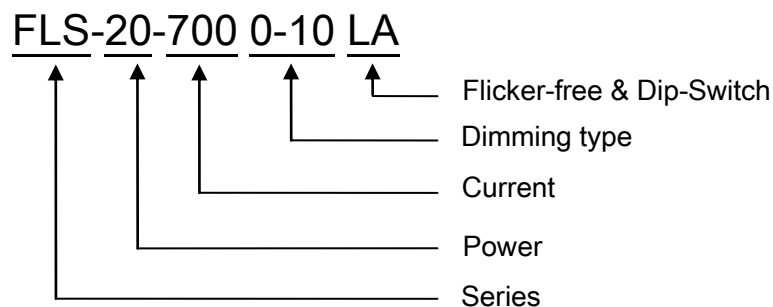
### ■ Applications

- Down light
- LED panel light

### ■ Description

FLS-20-700 0-10 LA is an 20W constant current LED driver that operates from 176-264Vac input with 400 to 700mA output current and a forward voltage range from 12 to 40Vdc. The output current is selectable by DIP Switch. With it's compact dimensions from 125 x 45 x 27.5mm it is easy to integrate in LED Panel and down light products. To ensure trouble-free operation, protection is provided against output short circuit and over Load.

### ■ Model code



## 20W Constant Current 0-10V-FLS Series

FLS-20-700 0-10 LA

### ■ Specification

Input	Rated input voltage	220-240VAC
	Range of input voltage	176-264VAC
	DC voltage range	176-280V
	Frequency(Hz)	0/50/60 Hz
	Power Factor	0.9C@220-240VAC, full load
	Input Current max	0.17A MAX. @Full Load,176VAC
	Start-up time	< 0.5S
	Unload Power Consumption	≤0.5W
	Inrush Current	20A Max.
	THD	9% Typ.
	Leakage Current	< 0.5mA(240VAC)
Output	Constant Current Max.	700mA
	Unload voltage Max.	50 VDC
	Voltage Range(VDC)	12-40VDC
	Rated power	20.3W Max.
	Current Accuracy	±5%
	Voltage Regulation	±5% @Full Load
	Load Regulation	≤5%
	Hold-up Time	1s max.@Full Load
	Ripple & Noise *Note.2	≤42mAp-p@Full Load,240VAC
	Efficiency(Typ.)	≥84%
Dimming	Dimmable	YES
	Dimming mode	0-10V
	Dimming current range	5%~100%
Protection	Over Load Protection	103-120% Protection type: Auto Resume
	Over Voltage Protection	> 50VDC Protection type: Auto Resume
	Short circuit Protection	Protection type: Auto Resume
Environment	Operating Temperature	-20°C...+45°C
	tc	80°C
	Storage Temperature	-25°C...+60°C
	Life time	> 30,000h@45°C
Others	Humidity	20%-95%RH
	Dimension	125X45X27.5(LXWXH)mm
Safety & EMC	Weight	0.125kg/PC
	Safety standards	EN 61347-1; EN61347-2-13; EN62384
Safety & EMC	Withstand voltage	Input-Output : 3750V/5mA/1min
	Isolation resistance	Input-Output : ≥4MΩ@500VDC
	EMI	EN55015; EN61000-3-2 Class C; EN61000-3-3
	EMS	EN 61547; EN 61000-4-2; EN 61000-4-5 —1000V;
Note	1.All parameters NOT specially mentioned are measured at 240VAC input , full load and 25°C of ambient temperature. 2.Ripple & Noise are measured at 20MHz of bandwidth by using a 300mm twisted pair-wire terminated with a 0.1uF & 47 uF parallel capacitor.	

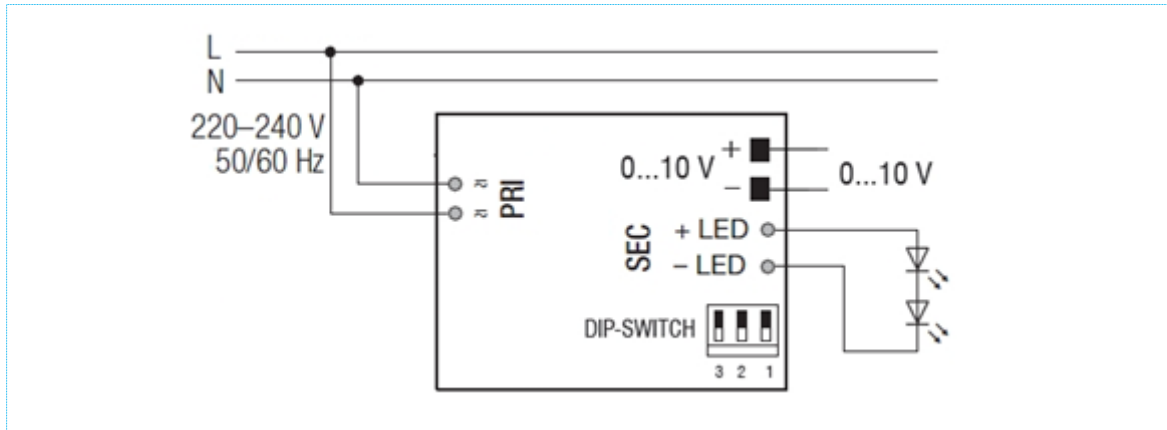
## 20W Constant Current 0-10V-FLS Series

FLS-20-700 0-10 LA

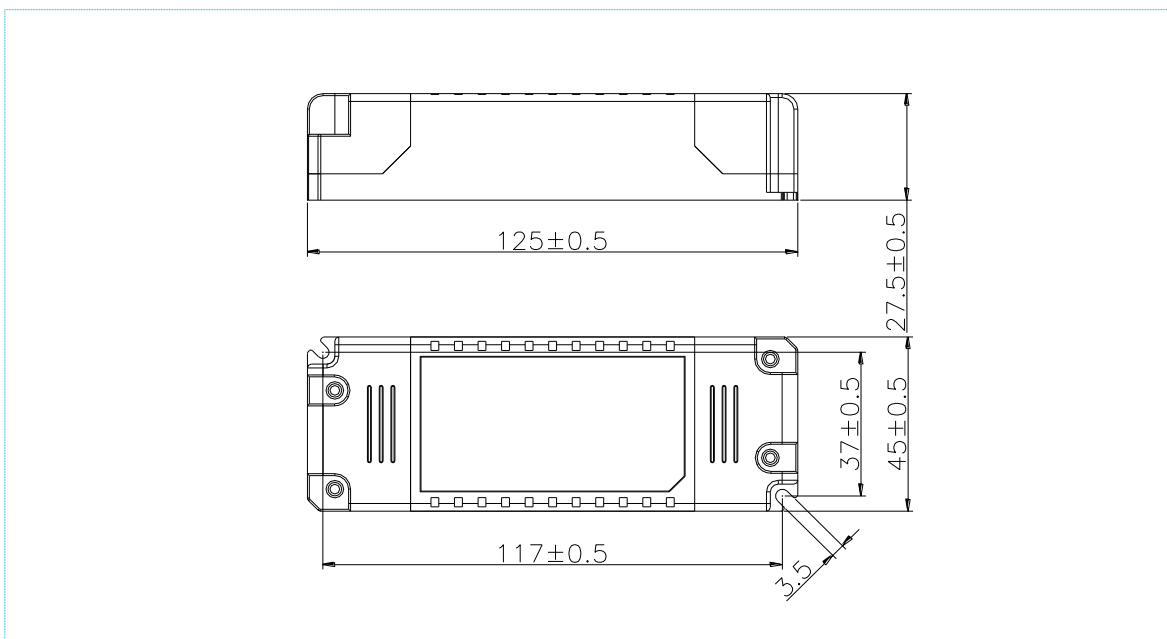
### ■ Adjustable Output Current with dip-switch

Vo	Po	Io	1	2	3
12-40VDC	16W	400mA	--	--	--
12-40VDC	18W	450mA	--	--	ON
12-40VDC	20 W	500mA	ON	--	--
12-36.5VDC	20.1 W	550mA	--	ON	--
12-33.5VDC	20.1W	600mA	--	ON	ON
12-31VDC	20.2 W	650mA	ON	ON	--
12-29VDC	20.3W	700mA	ON	ON	ON

### ■ Wiring diagram



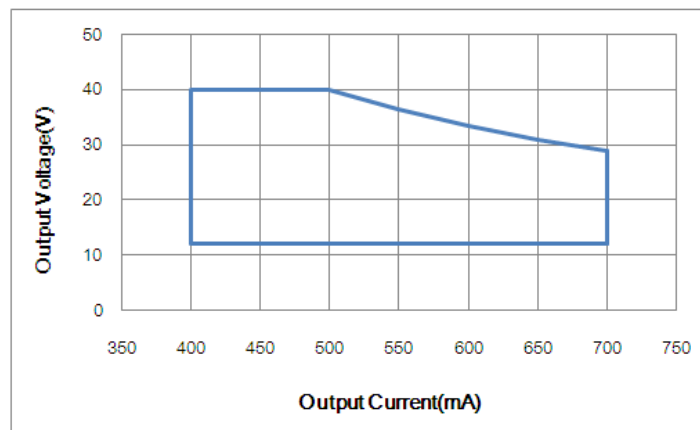
### ■ 2D diagram



## 20W Constant Current 0-10V-FLS Series

FLS-20-700 0-10 LA

### ■ Operating window



— Operating window 100%