

Driver LC 24W 500-600mA flexC R ADV2

advanced round series

**Product description**

- _ Fixed output built-in LED Driver
- _ Constant current LED Driver
- _ For luminaires of protection class I and protection class II
- _ Adjustable output current 500 or 600 mA
- _ Up to 90 % efficiency
- _ For ambient temperatures up to 60 °C
- _ Nominal lifetime up to 50,000 h (at ta 50 °C)
- _ 5 years guarantee

Housing properties

- _ Casing: polycarbonate, white
- _ Type of protection IP20

Functions

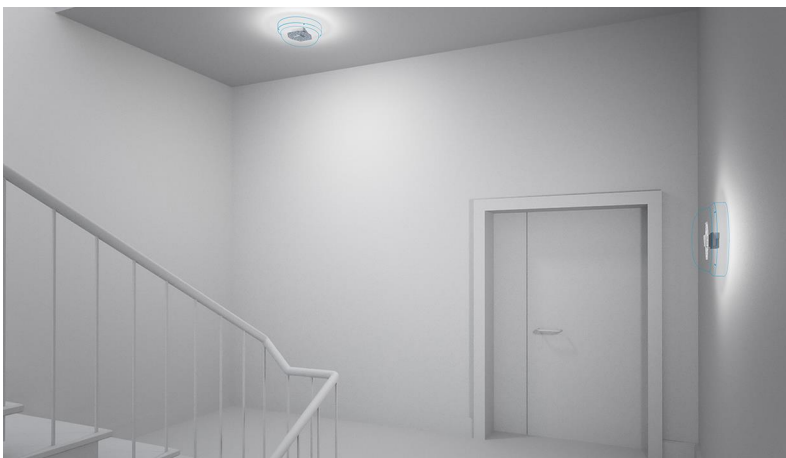
- _ Overload protection
- _ Short-circuit protection
- _ No-load protection

Typical applications

- _ For spot light, track light and wall light in retail and hospitality application

Website

<http://www.tridonic.com/28003211>



Spotlights



Downlights



Linear



Area



Floor | Wall



Free-standing



Street



Decorative

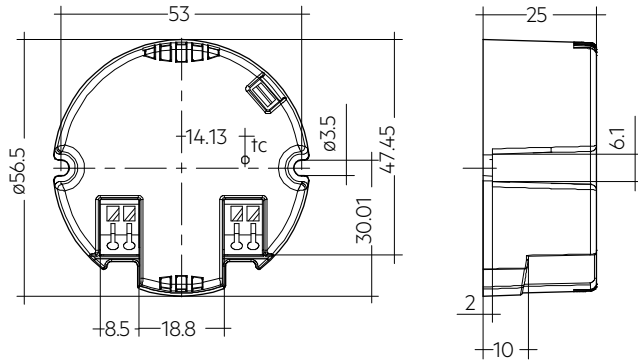


High bay

Driver LC 24W 500-600mA flexC R ADV2

advanced round series

The complete data sheet for this product is available in the Downloads section.

**Ordering data**

| Type | Article number | Packaging, carton | Packaging, pallet | Weight per pc. |
|-------------------------------|----------------|-------------------|-------------------|----------------|
| LC 24/500-600/40 flexC R ADV2 | 28003211 | 200 pc(s). | 4,800 pc(s). | 0.069 kg |

Technical data

| | |
|---|-----------------|
| Rated supply voltage | 220 – 240 V |
| AC voltage range | 198 – 264 V |
| Mains frequency | 50 / 60 Hz |
| Typ. efficiency (at 230 V, 50 Hz, full load) ^① | 90 % |
| λ (at 230 V, 50 Hz, full load) ^① | 0.95 |
| Output current tolerance ^② | $\pm 7.5 \%$ |
| Max. output peak current | 614 mA |
| Max. output voltage (U-OUT) | 50 V |
| THD (at 230 V, 50 Hz, full load) ^① | < 15 % |
| Typ. current ripple (at 230 V, 50 Hz, full load) | $\pm 5 \%$ |
| Output P_ST_LM (at full load) | ≤ 1 |
| Output SVM (at full load) | ≤ 0.4 |
| Starting time (at 230 V, 50 Hz, full load) | ≤ 0.5 s |
| Turn off time (at 230 V, 50 Hz, full load) | ≤ 0.5 s |
| Hold on time at power failure (output) | 0 s |
| Ambient temperature t_a (at lifetime 50,000 h) | 50 °C |
| Storage temperature t_s | -20 ... +60 °C |
| Mains burst capability | 1 kV |
| Mains surge capability (between L - N) | 1 kV |
| Mains surge capability (between L/N - PE) | 2 kV |
| Lifetime | up to 50,000 h |
| Guarantee | 5 Year(s) |
| Dimensions L x W x H | 56 x 56 x 25 mm |

Approval marks**Standards**

EN 55015, EN 61000-3-2, EN 61000-3-3, EN 61347-1, EN 61347-2-13, EN 61547, EN 62384

Specific technical data

| Type | Output current ^② | Min. forward voltage | Max. forward voltage | Max. output power | Typ. power consumption (at 230 V, 50 Hz, full load) | Typ. current consumption (at 230 V, 50 Hz, full load) | tc point max. | Ambient temperature t_a | Iout select |
|-------------------------------|-----------------------------|----------------------|----------------------|-------------------|---|---|---------------|---------------------------|-------------|
| LC 24/500-600/40 flexC R ADV2 | 500 mA | 24 V | 40 V | 20 W | 24 W | 110 mA | 90 °C | -20 ... +60 °C | open |
| LC 24/500-600/40 flexC R ADV2 | 600 mA | 24 V | 40 V | 24 W | 28 W | 130 mA | 90 °C | -20 ... +60 °C | short |

① Test result at 600 mA.

② Output current is mean value.