

Driver LC 25W 350-600mA ϕ 4a NFC T EXC3

excite NFC in-track series



Black (RAL 9005)

Product description

- _ Dimmable constant current / in-track LED Driver
- _ Optional accessory ACU ALU NIPPLE M10x1 for mounting the luminaire head
- _ Compatible with Global Trac PULSE from Nordic Aluminum and OneTrack from Stucchi, see data sheet chapter 3.8
- _ Dimming range 1 to 100 % (min. 3.5 mA)
- _ For luminaires of protection class II
- _ Temperature protection as per EN 61347-2-13 C5e
- _ Adjustable output current between 350 and 600 mA via near field communication (NFC)
- _ Max. output power 25 W
- _ Up to 83 % efficiency
- _ Power input on stand-by < 0,5 W
- _ Nominal lifetime up to 100,000 h
- _ 5 years guarantee

Housing properties

- _ Casing: polycarbonat, black, white or grey
- _ Type of protection IP20

Interfaces

- _ Near field communication (NFC)
- _ one4all (DALI-2, switchDIM, corridorFUNCTION)

Functions

- _ Adjustable output current in 1-mA-steps (NFC, DALI-2)
- _ Overtemperature protection
- _ Overload protection
- _ Short-circuit protection
- _ No-load protection
- _ Burst protection voltage 2 kV
- _ Surge protection voltage 1 kV (L to N)

Benefits

- _ Flexible configuration via companionSUITE (NFC, DALI-2)
- _ Support NFC multiple programming (full carton box)

Typical applications

- _ For spot light in retail and hospitality application

Website
<http://www.tridonic.com/87500896>


Spotlights



Downlights



Linear



Area



Floor | Wall



Free-standing



Street



Decorative

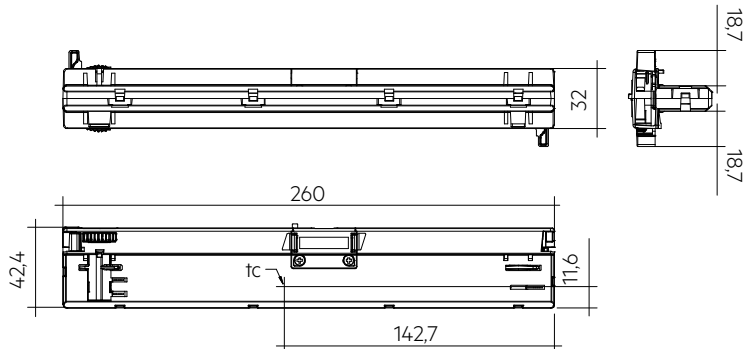


High bay

Driver LC 25W 350-600mA ϕ 4a NFC T EXC3

excite NFC in-track series

The complete data sheet for this product is available in the Downloads section.

**Ordering data**

Type	Article number	Colour	Packaging, carton	Packaging, low volume	Packaging, high volume	Weight per pc.
LC 25/350-600/42 ϕ 4a NF T-B EXC3	87500896	Black	10 pc(s).	130 pc(s).	1,170 pc(s).	0.165 kg

Technical data

Rated supply voltage	220 – 240 V
AC voltage range	198 – 264 V
Max. input current (at 230 V, 50 Hz, full load)	0.13 A
Leakage current (at 230 V, 50 Hz, full load)	< 700 μ A
Mains frequency	50 / 60 Hz
Overvoltage protection	320 V AC, 48 h
Max. input power	29.6 W
Typ. power consumption (at 230 V, 50 Hz, full load) ^①	29.7 W
Min. output power	0.049 W
Max. output power	25 W
Typ. power input on stand-by	< 0.5 W
Typ. efficiency (at 230 V, 50 Hz, full load) ^①	83 %
λ (at 230 V, 50 Hz, full load) ^①	0.95
Output current tolerance ^②	\pm 5 %
Max. output current peak ^③	\leq output current + 20 %
Max. output voltage (U-OUT)	60 V
THD (at 230 V, 50 Hz, full load) ^①	< 10 %
Output LF current ripple (< 120 Hz)	\pm 3 %
Output P_ST_LM (at full load)	\leq 1
Output SVM (at full load)	\leq 0.4
Starting time (at 230 V, 50 Hz, full load)	< 0.66 s
Turn off time (at 230 V, 50 Hz, full load)	\leq 0.03 s
Hold on time at power failure (output)	0 s
Dimming range	1 – 100 % (min. 3.5 mA)
Ambient temperature t_a (at lifetime 100,000 h)	25 °C
Storage temperature t_s	-40 ... +80 °C
Mains surge capability (between L - N)	1 kV
Lifetime	up to 100,000 h
Guarantee	5 Year(s)
Dimensions L x W x H	260 x 42.4 x 32 mm

Approval marks

Standards

EN 55015, EN 61000-3-2, EN 61000-3-3, EN 61347-1, EN 61347-2-13, EN 61547, EN 62384

Specific technical data

Type	Output current ^②	Min. forward voltage ^③	Max. forward voltage	Max. output power	Typ. power consumption (at 230 V, 50 Hz, full load)	Typ. current consumption (at 230 V, 50 Hz, full load)	Tc point max.	Ambient temperature T _a
LC 25/350-600/42 o4a NF T-B EXC3	350 mA	14 V	42.0 V	14.7 W	18.0 W	81 mA	70 °C	-20 ... +35 °C
LC 25/350-600/42 o4a NF T-B EXC3	400 mA	14 V	42.0 V	16.8 W	20.3 W	91 mA	70 °C	-20 ... +35 °C
LC 25/350-600/42 o4a NF T-B EXC3	450 mA	14 V	42.0 V	18.9 W	22.6 W	101 mA	70 °C	-20 ... +35 °C
LC 25/350-600/42 o4a NF T-B EXC3	500 mA	14 V	42.0 V	21.0 W	24.9 W	110 mA	70 °C	-20 ... +35 °C
LC 25/350-600/42 o4a NF T-B EXC3	550 mA	14 V	42.0 V	23.1 W	27.3 W	121 mA	70 °C	-20 ... +35 °C
LC 25/350-600/42 o4a NF T-B EXC3	600 mA	14 V	41.7 V	25.0 W	29.7 W	130 mA	70 °C	-20 ... +35 °C

① Test result at 600 mA.

② Output current is mean value.

③ Test result at 25 °C.

④ Device operates down to 4 V output voltage. It cannot be guaranteed that harmonics and EMI stay inside the limits. This has to be checked individually.