

Driver LC 40W 500-1050mA o4a NFC T EXC3

excite NFC in-track series



Black (RAL 9005)

Product description

- _ Dimmable constant current / in-track LED Driver
- _ Optional accessory ACU ALU NIPPLE M10x1 for mounting the luminaire head
- _ Compatible with Global Trac PULSE from Nordic Aluminum and OneTrack from Stucchi, see data sheet chapter 3.8
- _ Dimming range 1 to 100 % (min. 5 mA)
- _ For luminaires of protection class II
- _ Temperature protection as per EN 61347-2-13 C5e
- _ Adjustable output current between 500 and 1,050 mA via near field communication (NFC)
- _ Max. output power 40 W
- _ Up to 85 % efficiency
- _ Power input on stand-by < 0,5 W
- _ Nominal lifetime up to 100,000 h
- _ 5 years guarantee

Housing properties

- _ Casing: polycarbonat, black, white or grey
- _ Type of protection IP20

Interfaces

- _ Near field communication (NFC)
- _ one4all (DALI-2, switchDIM, corridorFUNCTION)

Functions

- _ Adjustable output current in 1-mA-steps (NFC, DALI-2)
- _ Overtemperature protection
- _ Overload protection
- _ Short-circuit protection
- _ No-load protection
- _ Burst protection voltage 2 kV
- _ Surge protection voltage 1 kV (L to N)

Benefits

- _ Flexible configuration via companionSUITE (NFC, DALI-2)
- _ Support NFC multiple programming (full carton box)

Typical applications

- _ For spot light in retail and hospitality application

Website
<http://www.tridonic.com/87500899>


Spotlights



Downlights



Linear



Area



Floor | Wall



Free-standing



Street



Decorative

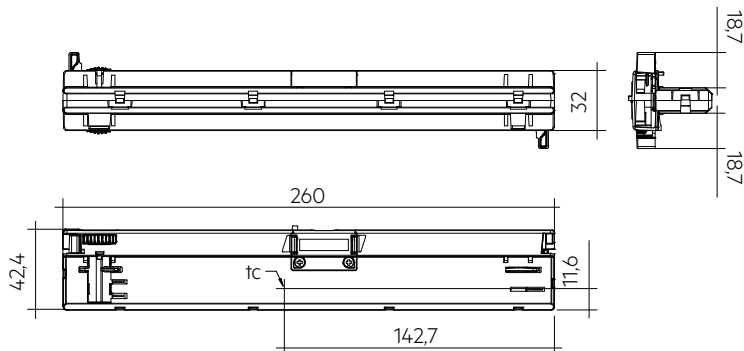


High bay

Driver LC 40W 500-1050mA o4a NFC T EXC3

excite NFC in-track series

The complete data sheet for this product is available in the Downloads section.

**Ordering data**

Type	Article number	Colour	Packaging, carton	Packaging, low volume	Packaging, high volume	Weight per pc.
LC 40/500-1050/42 o4a NF T-B EXC3	87500899	Black	10 pc(s).	130 pc(s).	1,170 pc(s).	0.164 kg

Technical data

Rated supply voltage	220 – 240 V
AC voltage range	198 – 264 V
Max. input current (at 230 V, 50 Hz, full load)	0.23 A
Leakage current (at 230 V, 50 Hz, full load)	< 700 µA
Mains frequency	50 / 60 Hz
Overvoltage protection	320 V AC, 48 h
Max. input power	49 W
Typ. power consumption (at 230 V, 50 Hz, full load) ^①	46,6 W
Min. output power	0.07 W
Max. output power	40 W
Typ. efficiency (at 230 V, 50 Hz, full load) ^①	83 %
λ (at 230 V, 50 Hz, full load) ^①	0.95
Output current tolerance ^②	± 5 %
Max. output current peak ^③	≤ output current + 20 %
Max. output voltage (U-OUT)	60 V
THD (at 230 V, 50 Hz, full load) ^①	< 10 %
Output LF current ripple (< 120 Hz)	± 3 %
Output P_ST_LM (at full load)	≤ 1
Output SVM (at full load)	≤ 0.4
Starting time (at 230 V, 50 Hz, full load)	< 0.66 s
Turn off time (at 230 V, 50 Hz, full load)	≤ 0.03 s
Hold on time at power failure (output)	0 s
Dimming range	1 – 100 %
Ambient temperature t _a (at lifetime 100,000 h)	35 °C
Storage temperature t _s	-40 ... +80 °C
Mains surge capability (between L - N)	1 kV
Lifetime	up to 100,000 h
Guarantee	5 Year(s)
Dimensions L x W x H	260 x 42.4 x 32 mm

Approval marks

Standards

EN 55015, EN 61000-3-2, EN 61000-3-3, EN 61347-1, EN 61347-2-13, EN 61547, EN 62384

Specific technical data

Type	Output current ^①	Min. forward voltage ^②	Max. forward voltage	Max. output power	Typ. power consumption (at 230 V, 50 Hz, full load)	Typ. current consumption (at 230 V, 50 Hz, full load)	tc point max.	Ambient temperature ta
LC 40/500-1050/42 o4a NF T-B EXC3	500 mA	14 V	42.0 V	21.0 W	25.0 W	99 mA	80 °C	-20 ... +35 °C
LC 40/500-1050/42 o4a NF T-B EXC3	600 mA	14 V	42.0 V	25.2 W	30.0 W	117 mA	80 °C	-20 ... +35 °C
LC 40/500-1050/42 o4a NF T-B EXC3	700 mA	14 V	42.0 V	29.4 W	34.6 W	134 mA	80 °C	-20 ... +35 °C
LC 40/500-1050/42 o4a NF T-B EXC3	800 mA	14 V	42.0 V	33.6 W	38.9 W	150 mA	80 °C	-20 ... +35 °C
LC 40/500-1050/42 o4a NF T-B EXC3	900 mA	14 V	42.0 V	37.8 W	43.5 W	167 mA	80 °C	-20 ... +35 °C
LC 40/500-1050/42 o4a NF T-B EXC3	1,050 mA	14 V	38.1 V	40.0 W	46.6 W	179 mA	80 °C	-20 ... +35 °C

① Test result at 600 mA.

② Output current is mean value.

③ Test result at 25 °C.

④ Device operates down to 4 V output voltage. It cannot be guaranteed that harmonics and EMI stay inside the limits. This has to be checked individually.