

Driver LC 35W 150–700mA 54V o4a NFC Ip PRE3
premium NFC SELV series



Product description

- _ NEW: lumDATA (DALI-2 part ext. 251, 252 and 253)
- _ Dimmable built-in constant current LED Driver
- _ Dimming range 1 to 100 %
- _ For luminaires of protection class I and protection class II
- _ Adjustable output current between 100 and 700 mA
- _ Max. output power 35 W
- _ Up to 89 % efficiency
- _ Power input on stand-by < 0.16 W
- _ 5 years guarantee

Housing properties

- _ Low profile metal casing with white cover
- _ Type of protection IP20

Interfaces

- _ Near field communication (NFC)
- _ one4all (DALI-2 DT 6, DSI, switchDIM, corridorFUNCTION)
- _ ready2mains (configuration and dimming via mains)
- _ Terminal blocks: 0° push terminals

Functions

- _ Adjustable output current in 1-mA-steps (NFC, DALI, ready2mains) or with resistor plug (I-SELECT 2)
- _ Fulfills DALI-2 parts: 251 (Luminaire data), 252 (Energy reporting and 253 (Diagnostics & Maintenance)
- _ Constant light output function (CLO)
- _ Power-up fading at AC
- _ Switch off the Driver with fade2zero
- _ Protective features (overtemperature, short-circuit, overload, no-load, input voltage range, reduced surge amplification)
- _ Suitable for emergency escape lighting systems acc. to EN 50172

Benefits

- _ Flexible configuration via companionSUITE
- _ Application-oriented operating window for maximum compatibility
- _ Best energy savings due to low stand-by losses and high efficiency
- _ Reliability proven by lifetime up to 100,000 h and 5 years guarantee

Typical applications

- _ For linear/area lighting in office applications

Website

<http://www.tridonic.com/28003201>



Spotlights



Downlights



Linear



Area



Floor | Wall



Free-standing



Street



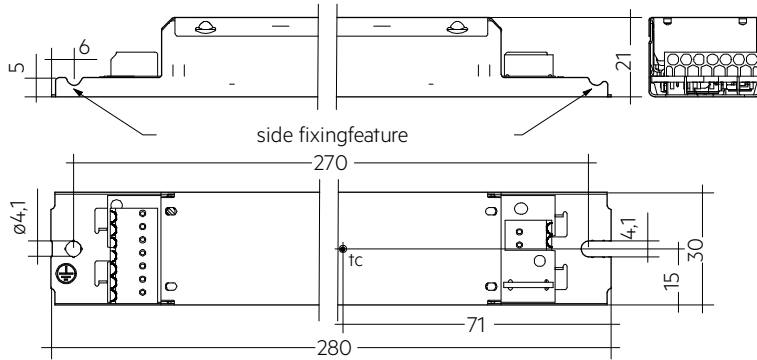
Decorative



High bay

Driver LC 35W 150–700mA 54V o4a NFC Ip PRE3
premium NFC SELV series

The complete data sheet for this product is available in the Downloads section.



Ordering data

Type	Article number	Packaging, carton	Packaging, pallet	Weight per pc.
LC 35/150-700/54 o4a NF Ip PRE3	28003201	10 pc(s).	720 pc(s).	0.187 kg

Technical data

Rated supply voltage	220 – 240 V
AC voltage range	198 – 264 V
DC voltage range	176 – 280 V
Mains frequency	0 / 50 / 60 Hz
Overvoltage protection	320 V AC, 48 h
Typ. rated current (at 230 V, 50 Hz, full load) ^{①②}	187 mA
Typ. current (220 V, 0 Hz, full load, 15 % dimming level) ^②	32.1 mA
Leakage current (PE)	< 400 µA
Max. input power	40 W
Typ. efficiency (at 230 V, 50 Hz, full load) ^②	88.7 %
λ (at 230 V, 50 Hz, full load) ^①	0.97
Typ. power consumption on stand-by ^③	< 0.16 W
Typ. input current in no-load operation	15.5 mA
Typ. input power in no-load operation	0.41 W
In-rush current (peak / duration)	13.84 A / 282 µs
THD (at 230 V, 50 Hz, full load) ^①	< 7 %
Starting time (at 230 V, 50 Hz, full load)	< 0.7 s
Starting time (DC mode)	< 0.3 s
Switchover time (AC/DC) ^④	< 0.4 s
Turn off time (at 230 V, 50 Hz, full load)	< 60 ms
Output current tolerance ^⑤	± 3 %
Max. output current peak (non-repetitive)	≤ output current + 25 %
Output LF current ripple (< 120 Hz)	± 2 %
Output P_ST_LM (at full load)	≤ 1
Output SVM (at full load)	≤ 0.4
Max. output voltage (U-OUT)	60 V
Dimming range	1 – 100 %
Mains surge capability (between L - N)	1 kV
Mains surge capability (between L/N - PE)	2 kV
Surge voltage at output side (against PE)	< 0.5 kV
Type of protection	IP20
Lifetime	up to 100,000 h
Guarantee	5 Year(s)
Dimensions L x W x H	280 x 30 x 21 mm

Approval marks**Standards**

EN 55015, EN 61000-3-2, EN 61000-3-3, EN 61000-4-4, EN 61000-4-5, EN 61347-1, EN 61347-2-13, EN 62384, EN 61547, EN 62386-101 (DALI-2), EN 62386-102 (DALI-2), EN 62386-207 (DALI-2), IEC 15963, according to EN 50172, according to EN 60598-2-22

Specific technical data

Type	Output current ^⑥	Min. forward voltage	Max. forward voltage	Max. output power	Typ. power consumption n (at 230 V, 50 Hz, full load)	Typ. current consumption n (at 230 V, 50 Hz, full load)	tc point max.	Ambient temperature ta	I-SELECT 2 resistor value
LC 35/150-700/54 o4a NF Ip PRE3	150 mA	20 V	54 V	8.1 W	11.2 W	63 mA	75 °C	-25 ... +60 °C	-
LC 35/150-700/54 o4a NF Ip PRE3	300 mA	20 V	54 V	16.2 W	19.7 W	96 mA	75 °C	-25 ... +60 °C	16.67 kΩ
LC 35/150-700/54 o4a NF Ip PRE3	400 mA	20 V	54 V	21.6 W	25.4 W	117 mA	77 °C	-25 ... +60 °C	12.50 kΩ
LC 35/150-700/54 o4a NF Ip PRE3	500 mA	20 V	54 V	27.0 W	31.1 W	141 mA	77 °C	-25 ... +60 °C	10.00 kΩ
LC 35/150-700/54 o4a NF Ip PRE3	648 mA	20 V	54 V	35.0 W	39.9 W	178 mA	72 °C	-25 ... +55 °C	7.69 kΩ
LC 35/150-700/54 o4a NF Ip PRE3	700 mA	20 V	50 V	35.0 W	39.9 W	178 mA	72 °C	-25 ... +55 °C	0.00 kΩ

① Valid at 100 % dimming level. Output current is mean value.

② Depending on the selected output current.

③ Depending on the DALI traffic at the interface.

④ Valid for immediate change of power supply type otherwise the starting time is valid.

⑤ The table only lists a number of possible operating points but does not cover each single point. The output current can be set within the total value range in 1-mA-steps. Output current is mean value.

⑥ Not compatible with I-SELECT (generation 1). Calculated resistor value.