

**Driver LC 25W 350/500/600/700mA fixC SC SNC2**

ESSENCE series

**Product description**

- \_ Fixed output LED Driver
- \_ Can be either used built-in or independent with clip-on strain-relief (see accessory)
- \_ Constant current LED Driver
- \_ Output current 350, 500, 600 or 700 mA
- \_ Max. output power 25 W
- \_ For luminaires of protection class I and protection class II
- \_ Temperature protection as per EN 61347-2-13 C5e
- \_ Independent LED Driver with cable clamps
- \_ Nominal life-time up to 50,000 h
- \_ 5-year guarantee

**Properties**

- \_ Casing: polycarbonate, white
- \_ Type of protection IP20

**Functions**

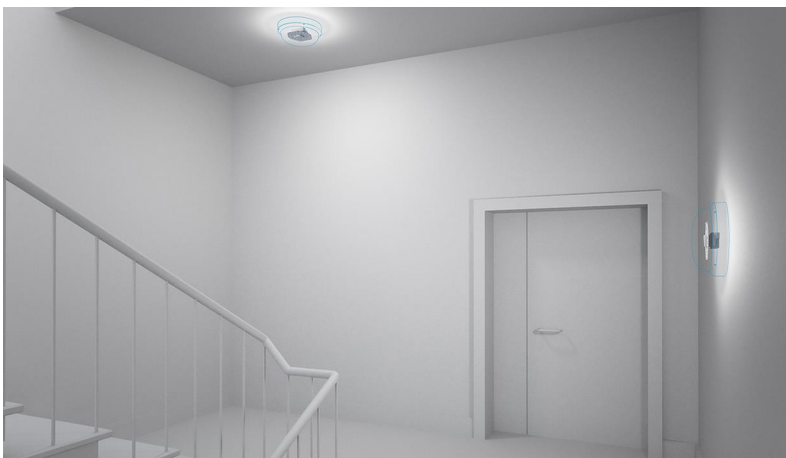
- \_ Overload protection
- \_ Short-circuit protection
- \_ No-load protection
- \_ Burst protection voltage 1 kV
- \_ Surge protection voltage 1 kV (L to N)
- \_ Surge protection voltage 2 kV (L/N to earth)

**Typical applications**

- \_ For spot light and downlight in retail and hospitality applications
- \_ For panel light and area light in office and education application

**Website**

<http://www.tridonic.com/87500734>



Spotlights



Downlights



Linear



Area



Floor | Wall



Free-standing



Street



Decorative

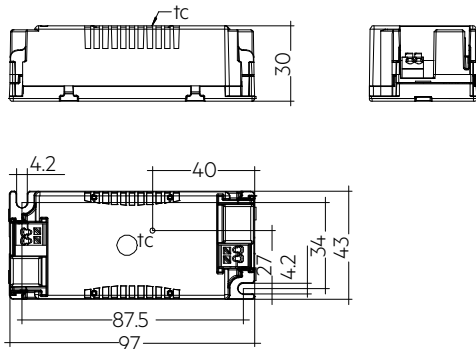


High bay

## Driver LC 25W 350/500/600/700mA fixC SC SNC2

ESSENCE series

The complete data sheet for this product is available in the Downloads section.



## Ordering data

Type	Article number	Packaging, carton	Packaging, low volume	Packaging, high volume	Weight per pc.
LC 25/600/42 fixC SC SNC2	87500734	15 pc(s).	555 pc(s).	4,440 pc(s).	0.078 kg

## Technical data

Rated supply voltage	220 – 240 V
AC voltage range	198 – 264 V
Mains frequency	50 / 60 Hz
Overvoltage protection	320 V AC, 1 h
Leakage current (at 230 V, 50 Hz, full load)	< 450 $\mu$ A
THD (at 230 V, 50 Hz, full load)	< 20 %
Output current tolerance <sup>①</sup>	$\pm$ 7.5 %
Typical output LF current ripple at full load <sup>②</sup>	$\pm$ 25 %
Turn on time (at 230 V, 50 Hz, full load)	$\leq$ 0.5 s
Turn off time (at 230 V, 50 Hz, full load)	$\leq$ 0.5 s
Hold on time at power failure (output)	0 s
Ambient temperature $t_a$	-20 ... +50 °C
Ambient temperature $t_a$ (at life-time 50,000 h)	40 °C
Storage temperature $t_s$	-40 ... +80 °C
Dimensions L x W x H	97 x 43 x 30 mm

## Approval marks

IP20 SELV      RoHS

## Standards

EN 55015, EN 61000-3-2, EN 61000-3-3, EN 61347-1, EN 61347-2-13, EN 61547, EN 60598-1, EN 62384

## Specific technical data

Type	Output current <sup>①</sup>	Input current (at 230 V, 50 Hz, full load)	Max. input power	Typ. power consumption (at 230 V, 50 Hz, full load)	Output power range	$\lambda$ at full load	Efficiency at full load <sup>②</sup>	$\lambda$ at min. load	Efficiency at min. load	Min. forward voltage	Max. forward voltage	Max. output voltage (U-OUT)	Max. output peak current at full load <sup>③</sup>	Max. output peak current at min. load <sup>④</sup>	Max. casing temperature $t_c$
LC 25/600/42 fixC SC SNC2	600 mA	0.135 A	29 W	27.5 W	16.2 – 25.2 W	0.93C	90 %	0.88C	88 %	27 V	42 V	60 V	840 mA	970 mA	70 °C

① Output current is mean value.

② Typical value at full load, depend on load's V-I character.

③ Test result at 230 V, 50 Hz.

④ The trend between min. and full load is linear and depend on load's V-I character.