

40W Constant Current -LS Series

LS-40-XXX LI3



■Approve

SELV CE

■Features

- Class II, SELV, independent
- Input Voltage 220-240VAC
- Protections: SCP/OLP/OVP
- Power Factor >0.95
- Efficiency ≥88%
- 5 years warranty

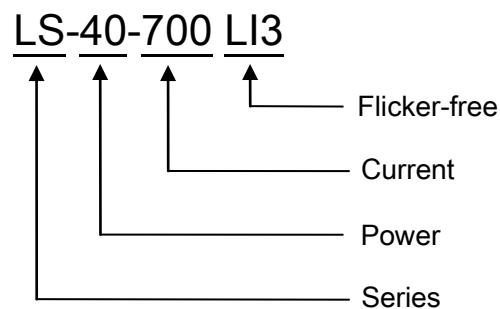
■Applications

- LED panel
- LED spot light
- LED down light

■Description

LS-40-XXX LI3 is a 40W constant current LED driver with 350 to 1200mA output current. With it's compact dimensions from 116 x 42.5 x 28mm it is easy to integrate in LED Panel, spot and down lights product. To ensure trouble-free operation, protection is provided against output short circuit and over Load.

■Model code



40W Constant Current -LS Series

LS-40-XXX LI3

■ Specification

Input	Rated input voltage	220-240VAC				
	Range of input voltage	176-264VAC				
	DC voltage range	176-280V				
	Frequency(Hz)	0/50/60 Hz				
	Power Factor	> 0.95@240VAC, full Load				
	Input Current max	0.32A MAX. @Full Load,176VAC				
	Start-up time	< 0.5S				
	Unload Power Consumption	≤0.5W				
	Inrush Current	40A Max.				
	THD	< 10% @240VAC, full Load				
	Leakage Current	< 0.7mA(240VAC)				
Output	Constant Current Max. *Note.3	350mA	700mA	1050mA	...	1200mA
	Unload voltage Max.	120VDC	67VDC	50VDC	...	43VDC
	Voltage Range(VDC)	69-112VDC	34.5-57.5VD	23-40VDC	...	20-33.5VDC
	Rated power	39.2W Max.	40.3W Max.	42 W Max.	...	40.2W Max.
	Current Accuracy	±5%@220-240VAC				
	Voltage Regulation	±5% @Full Load, 220-240VAC				
	Load Regulation	±5%@220-240VAC				
	Hold-up Time	1s max.@Full Load				
	Ripple& Noise *Note.2	≤±3%				
	Efficiency(Typ.)	≥88%				
Protection	Over Load Protection	103-120% Protection type: Auto Resume				
	Over Voltage Protection	> 120VDC	> 67VDC	> 50VDC	...	> 43VDC
		Protection type: Auto Resume				
	Short circuit Protection	Protection type: Auto Resume				
Environment	Operating Temperature	-20°C...+45°C				
	tc	85°C				
	Storage Temperature	-25°C...+60°C				
	Life time	> 50,000h@45°C				
	Humidity	20%-90%RH				
Others	Dimension	116X42.5X28(LXWXH)mm				
Safety & EMC	Safety standards	EN 61347-1; EN61347-2-13; EN62384				
	Withstand voltage	Input-Output : 3750V/5mA/1min				
	Isolation resistance	Input-Output : ≥4MΩ@500VDC				
	EMI	EN55015; EN61000-3-2 Class C; EN61000-3-3				
	EMS	EN 61547; EN 61000-4-2; EN 61000-4-5 —1000V;				
Note	1.All parameters NOT specially mentioned are measured at 240VAC input , full load and 25°C of ambient temperature. 2.Ripple & Noise are measured at 20MHz of bandwidth by using a 300mm twisted pair-wire terminated with a 0.1uF & 47 uF parallel capacitor. 3.Output current can be from 350mA to 1200mA and increasing in multiples of 50mA. Please see Model list below and contact EAGLERISE for details.					

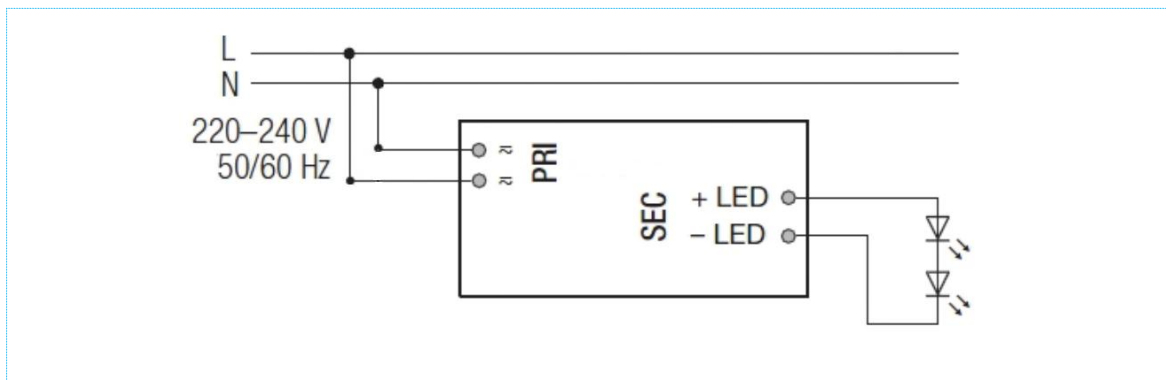
40W Constant Current -LS Series

LS-40-XXX LI3

Model list

No.	Model number	Input			Output			
		Voltage (VAC)	Current (A)	Frequency (Hz)	Constant current (mA)	Normal working voltage (VDC)	No load working voltage (VDC)	P _{rated} (W)
1	LS-40-350 LI3	220-240	0.32	50/60	350	69-112	120	39.2
2	LS-40-400 LI3	220-240	0.32	50/60	400	60-100	110	40
3	LS-40-450 LI3	220-240	0.32	50/60	450	54-90	100	40.5
4	LS-40-500 LI3	220-240	0.32	50/60	500	48-80	90	40
5	LS-40-550 LI3	220-240	0.32	50/60	550	43.5-73	83	40.2
6	LS-40-600 LI3	220-240	0.32	50/60	600	40-67	77	40.2
7	LS-40-650 LI3	220-240	0.32	50/60	650	37-62	72	40.3
8	LS-40-700 LI3	220-240	0.32	50/60	700	34.5-57.5	67	40.3
9	LS-40-750 LI3	220-240	0.32	50/60	750	32-53.5	63	40.1
10	LS-40-800 LI3	220-240	0.32	50/60	800	30-50	60	40
11	LS-40-850 LI3	220-240	0.32	50/60	850	28-47	57	40
12	LS-40-900 LI3	220-240	0.32	50/60	900	26.5-44.5	54	40.1
13	LS-40-950 LI3	220-240	0.32	50/60	950	25.5-42.5	52	40.4
14	LS-40-1000 LI3	220-240	0.32	50/60	1000	24-40	50	40
15	LS-40-1050 LI3	220-240	0.32	50/60	1050	23-40	50	42
16	LS-40-1100 LI3	220-240	0.32	50/60	1100	21.5-36.5	46	40.2
17	LS-40-1150 LI3	220-240	0.32	50/60	1150	21-35	45	40.3
18	LS-40-1200 LI3	220-240	0.32	50/60	1200	20-33.5	43	40.2

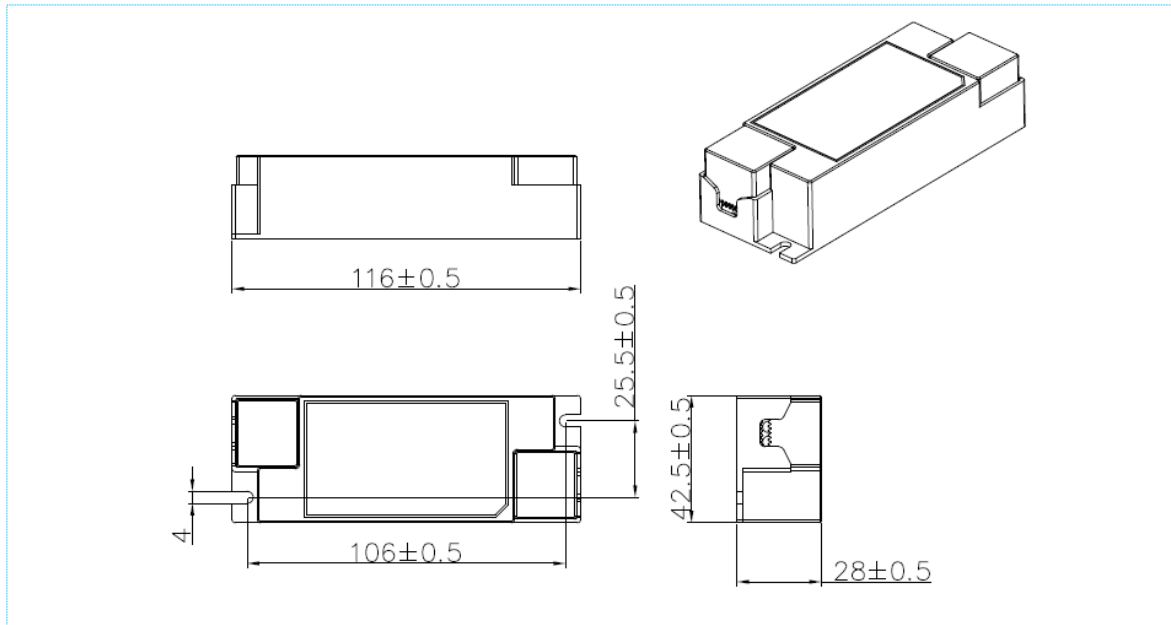
Connection diagram



40W Constant Current -LS Series

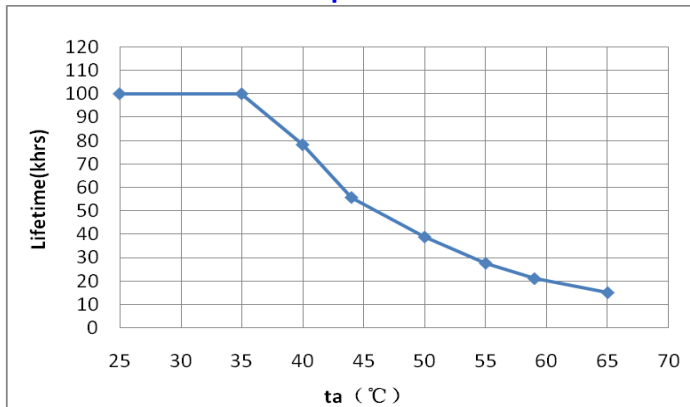
LS-40-XXX LI3

2D diagram

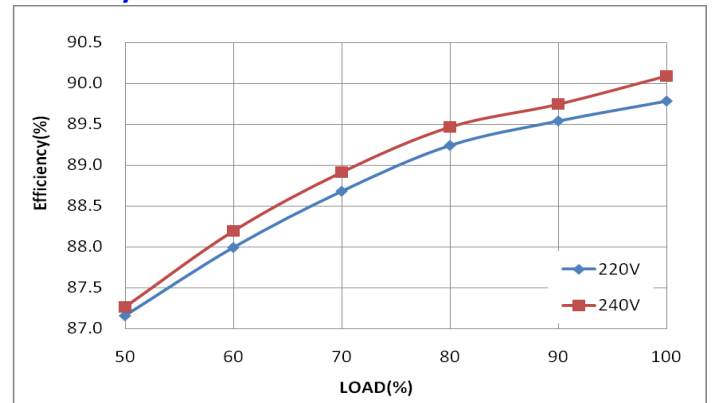


Curve for LS-40-1050 LI3

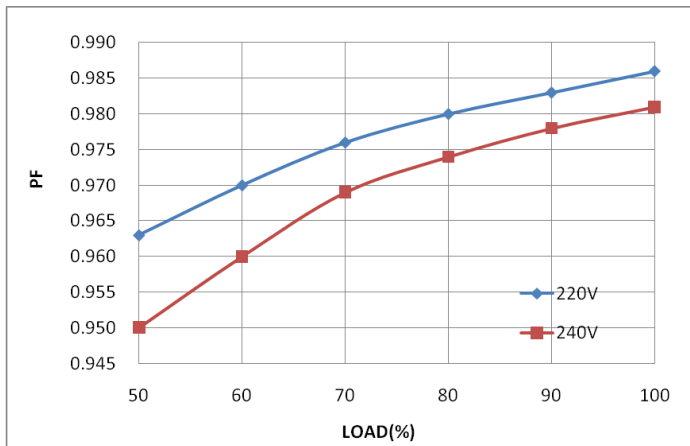
Lifetime vs. Ambient Temperature Curve



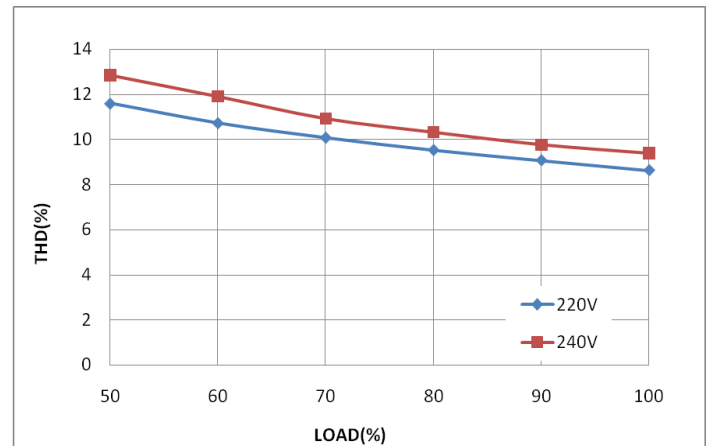
Efficiency vs. Load



Power Factor Characteristics



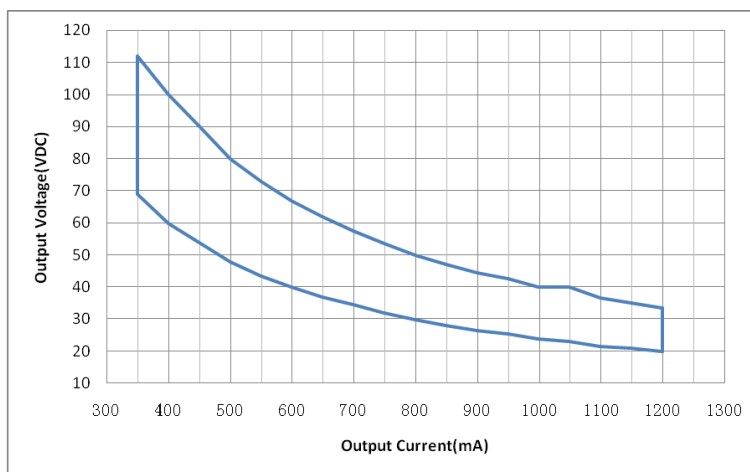
THD vs. Load



40W Constant Current -LS Series

LS-40-XXX LI3

■ Operating window



— Operating window 100%