

Product Description

LF-GIR040YM is a 40W isolated constant current LED driver. It has an active PFC, high efficiency and low THD.

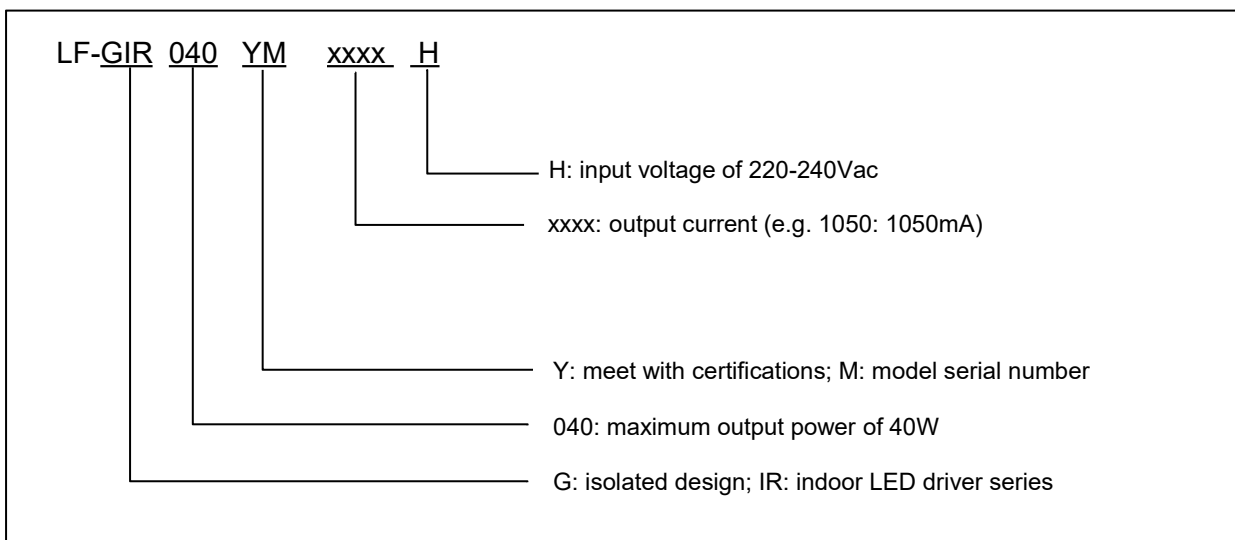
Feature

- Suitable for Class II light fixtures
- 5-year warranty (Please refer to the warranty condition.)
- TUV, CE, CB, RCM, CCC

Application

- Indoor office lighting
- Decoration lighting
- Commercial lighting
- Residential lighting

Product Naming



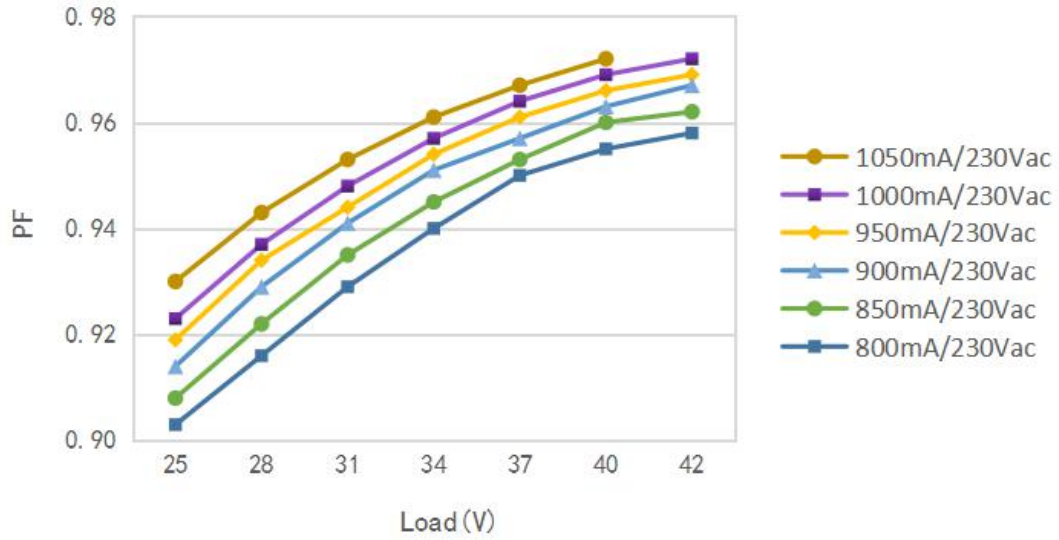
Electrical Characteristic

Model		LF-GIR040YMxxxxH(G2)					
Output	Output Voltage	25-42Vdc					25-40V
	Output Current	800mA	850mA	900mA	950mA	1000mA	1050mA
	Current Tolerance	±5%					
	Temperature Drift	±10%					
	Start-up Time	<0.5S@230Vac					
Input	Input Voltage	220-240Vac (Limit Input Voltage: 200-264Vac)					
	Input Frequency	47Hz-63Hz					
	Input Current	0.3A Maximum					
	Power Factor	≥0.95					
	Total Harmonic Distortion	≤15%@230Vac					
	Efficiency (full load)	≥89.5%					
	Inrush Current	≤60A&350uS@230Vac					
	Load Quantity of what a Circuit Breaker can support	Circuit Breaker Model	B10	C10	B16	C16	
		Quantity (pcs)	32	32	51	51	
	Leakage Current	≤0.7mA					
Standby Power Consumption	≤0.5W						
Protective Feature	Open-Circuit Protection	<55V					
	Short-Circuit Protection	Hiccup mode (restore by itself)					
Environment Condition	Operating Temperature	-30°C ~ +50°C					
	Operating Humidity	20-90%RH (no condensation)					
	Storage Temperature/Humidity	-40°C ~ +80°C (six months under class I environment); 10-90%RH (no condensation)					
	Atmospheric Pressure	86KPa-106KPa					

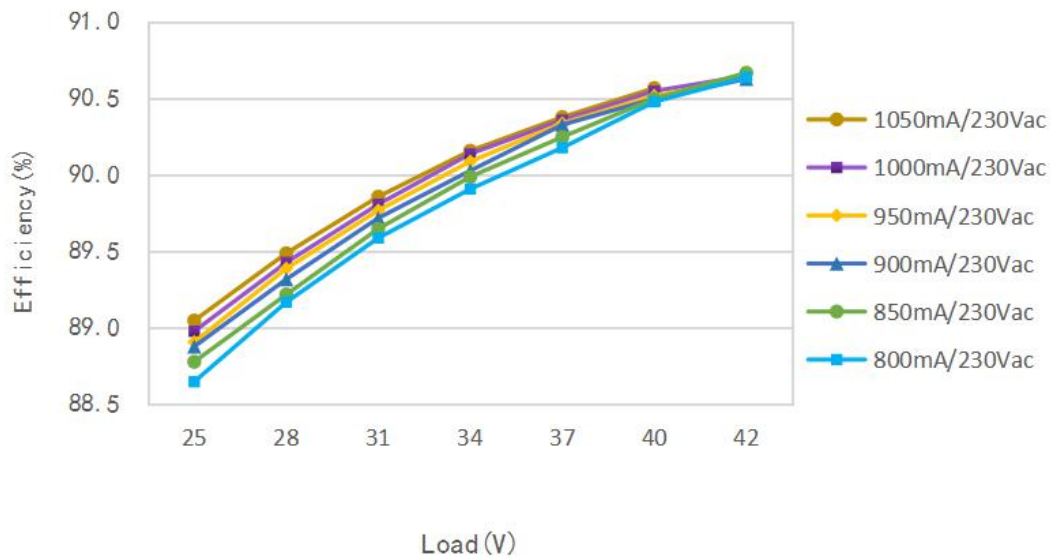
Safety & Norm	Certification	TUV, CE, CB, RCM, CCC
	Withstand Voltage	I/P-O/P: 3.75KVac/ 5mA/ 60S;
	Insulation Resistance	I/P-O/P: >100MΩ@500VDC
	Safety Standard	CE-LVD: EN 61347-2-13:2014/A1:2017, EN 61347-1:2015, EN 62493:2015 CB:IEC 61347-1:2015, IEC61347-2-3:2014, IEC 61347-2-13:2014/AMD1:2016 RCM:AS 61347.2-13:2018 CCC:GB19510.1-2009, GB19510.14-2009
	EMI	CE-EMC/RCM:EN55015, EN61000-3-2, EN61000-3-3 CCC:GB/T17743, GB17625.1, GB17625.2
	EMS	CE-EMC/RCM: EN61000-4-2,3,4,5 (lightning strike: 1KV),6,11 CCC: GB/T17626.2,3,4,5 (lightning strike: 1KV),6,11
Others	IP Rating	IP20
	RoHS	RoHS 2.0 (EU) 2015/863
	Warranty Condition	5 years (Tc ≤ 85°C)
Test Equipment	AC power source: CHROMA6530, digital power meter: CHROMA66202, Oscilloscope: Tektronix DPO3014, DC electronic load: M9712B, LED board, constant temperature and humidity chamber, lightning surge generator: Everfine EMS61000-5B, rapid group pulse generator: Everfine EMS61000-4A, spectroanalyzer: KH3935, hi-pot tester: TH9201B, flicker-free tester (flicker-free coefficient tester) 60N-01, etc.	
Remark	<p>1. It is recommended that customer should install over voltage and under voltage protection devices and surge protection devices in the power supply circuits of the light fixtures to ensure safety before connecting to electricity.</p> <p>2. As an accessory, the LED driver is not the only factor determining the EMC performance of the LED light fixture. The structure and the wiring of the light fixture are also relevant. Thus it's strongly recommended the LED light fixture manufacturer re-confirms the EMC of the whole LED light fixture.</p> <p>3. The test conditions of the circuit breaker configuration quantity are the same as that of the inrush current test.</p> <p>4. The PC cover, shell and plug for LED driver in the lamps must meet the UL94-V0 and above.</p> <p>5. Unless otherwise stated, the parameters of the power factor, harmonic and efficiency were test results under the ambient temperature of 25°C, humidity of 50%, input voltage of 230V(50Hz) and full load.</p>	

Product Feature Curve

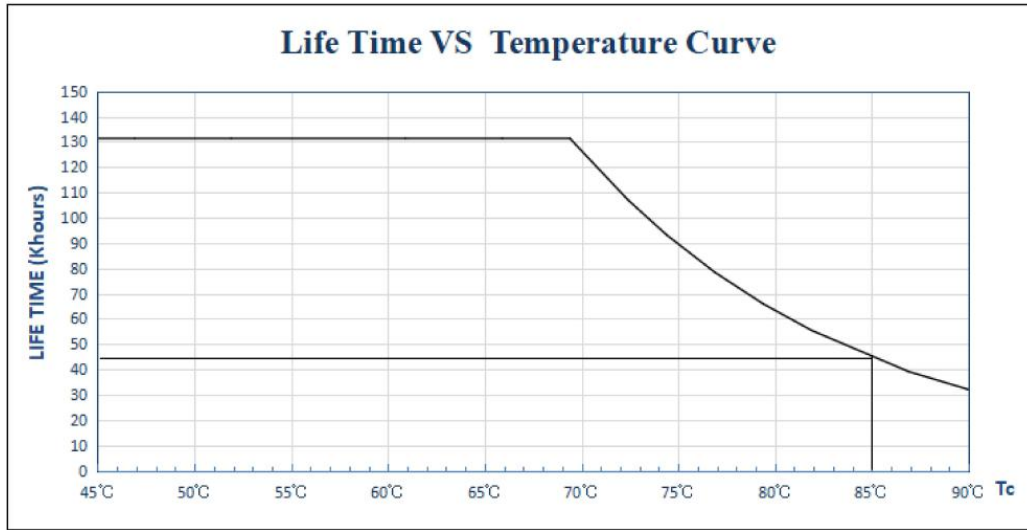
■ PF curve



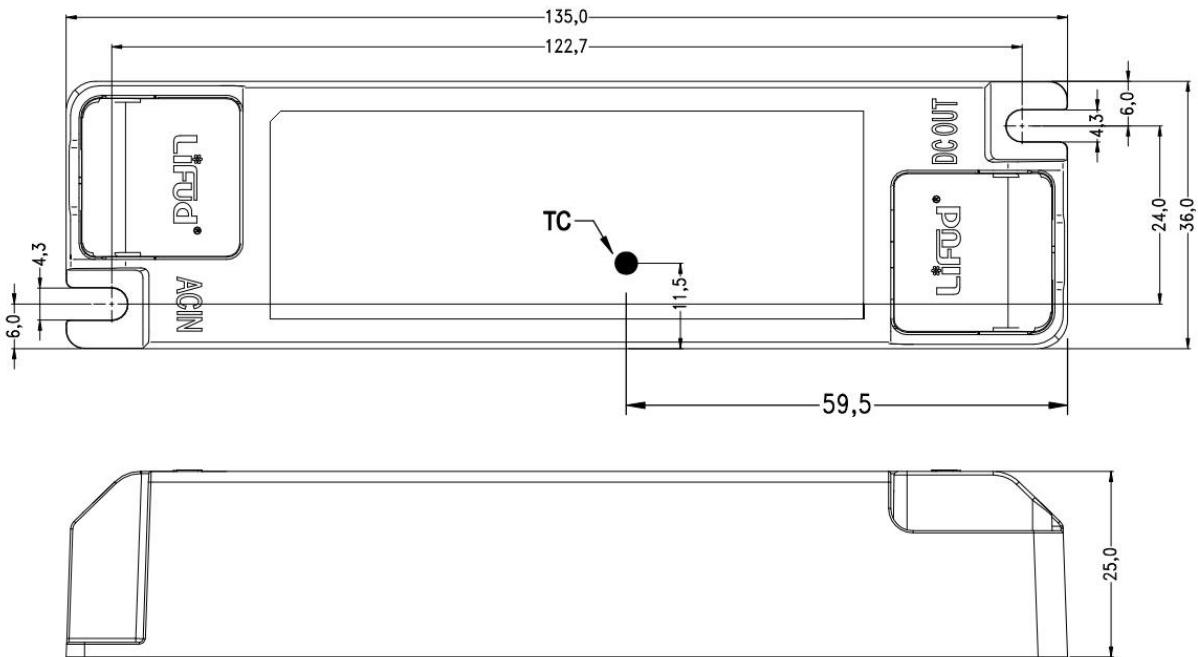
■ Efficiency curve



■ 1) Lifetime curve



■ 2) Tc Test Schematic Diagram



Definition of the Driver's Terminals

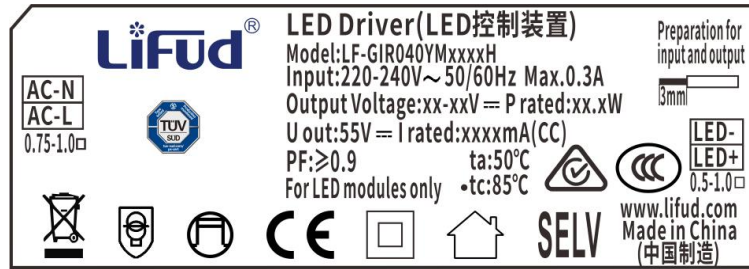
INPUT

AC-L	Input terminal of AC live wire
AC-N	Input terminal of AC neutral wire

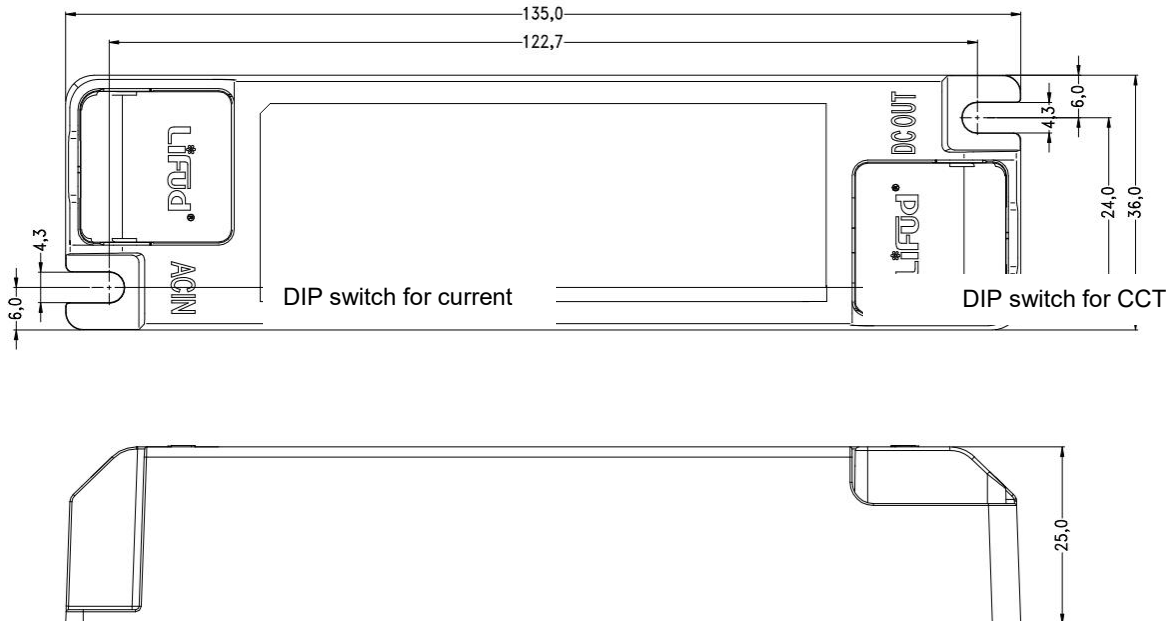
OUTPUT

LED+	The driver's positive electrode output
LED-	The driver's negative electrode output

Label



Dimensions (unit: mm)



Packaging Specification

Model	LF-GIR030YM
Packaging dimensions	385*285*210 mm (L*W*H)
Quantities	14 pcs/layer; 7 layers/ctn; 98 pcs/ctn
Weights	0.09kg \pm 5%/pcs; 9kg \pm 5%/ctn

Transportation & Storage

■ Transportation

- Suitable transportation means: vehicles, boats and aircraft.
- During transportation, there should be awnings for rain protection and sun protection. Civilized loading and unloading are required. There should be no severe vibration or impact.

■ Storage

- Storage in accordance with the provisions of the Class I environment. For products which have been stored for more than six months, they mustn't be used until they pass the re-inspection.

Attention

- Please use this product according to its specifications otherwise there may be malfunction.
- Use light fixtures that have not been certified or are not compatible with the LED drivers may cause fire or other hazards.
- Man-made damage, any use beyond the specification and non-original-factory modification are not covered by warranty.

Remark: The final interpretation right of the contents of this data sheet belongs to Lifud Technology Co., Ltd.

Change Resume

Version	Content of Change	Date	Remark
V1.0	Formal release	30 JUL 2021	

Confirmed by Lifud:

