

## Product Description



**Electrical type:** Isolated LED driver, suitable for Class II light fixtures

**Category:** AC220-240V, flicker free

**Product feature:** active PFC, high performance, high efficiency, low THD

**Application:** indoor office lighting, commercial lighting, residential lighting & decorative lighting

**Warranty:** 5 years (please refer to the warranty condition)

**Certification:** ENEC, CE, CB, RCM, CCC

## Technical Data (1)

Model		LF-GIF040YA(H) 1050H	LF-GIF040YA(H) 1000H	LF-GIF040YA(H) 0950H	LF-GIF040YA(H) 0900H
Output	Output Voltage	33-40VDC			
	Output Current	1050mA	1000mA	950mA	900mA
	Ripple Voltage	≤2V			
	Current Tolerance	±5%			
	Start-up Time	230VAC ≤0.5s			
	Temperature Drift	±10%			
	Line Regulation	±5%			
	Percent Flicker	≤0.5%			
Input	Line Regulation	±5%			
	Input Voltage	220-240VAC (voltage limit: 200-264VAC)			
	Input Frequency	47Hz-63Hz			
	Input Current	0.35A Maximum			
	Power Factor	≥0.95/230VAC	≥0.95/230VAC	≥0.95/230VAC	≥0.94/230VAC
	Total Harmonic Distortion	≤20%			
	Efficiency	≥90%/230VAC	≥90%/230VAC	≥90%/230VAC	≥90%/230VAC
	Inrush Current	<60A/350uS @ 230VAC			
	Standby Power Consumption	≤0.3W			
Protective Feature	Open-Circuit Protection	Open-circuit voltage ≤ 55VDC			
	Short-Circuit Protection	Hiccup mode (auto-recovery)			
Environment Condition	Working Temperature	-30°C ~ +50°C			
	Working Humidity	20-90%RH (no condensation)			
	Storage Temperature/Humidity	-40°C ~ 80°C (six months under class I environment); 10-90%RH (no condensation)			
	Atmospheric Pressure	86KPa-106KPa			

Safety & Norm	Certification	ENEC, CE, CB, RCM, CCC
	Withstand Voltage	I/P-O/P: 3.75KVAC, ≤5mA, 60s
	Insulation Resistance	I/P-O/P: 500VDC, >100MΩ
	Surge Rating	IEC61000-4-5 (L-N: 1KV )
	Electromagnetic Interference	EN55015, EN61000-3-2
	Electromagnetic Susceptibility	EN61000-4-2, 3, 4, 5, 6, 8, 11; EN61547
Others	Package (Weight)	Carton size: 385*285*210mm (L*W*H); Weight: 0.1 Kg ±5%/pc, 8.72Kg ±5%/ctn; Quantity: 14 pcs/layer, 6 layers/ctn, 84 pcs/ctn
	IP Rating	IP20
	Warranty	5 years (Tc≤ 82℃)
Testing Equipment	AC power source: CHROMA6530, digital power meter: CHROMA66202, Oscilloscope: Tektronix DPO3014, DC electronic load: M9712B, LED board, constant temperature and humidity chamber, lightning surge generator: Everfine EMS61000-5B, rapid group pulse generator: Everfine EMS61000-4A, spectrum analyzer: KH3935, hi-pot tester: TH9201B, stroboscope (flicker index tester) 60N-01, etc.	
Testing Condition	Unless otherwise stated, the parameters of the power factor, THD and efficiency are the test results under the ambient temperature of 25℃ and humidity of 50%, AC input of 230V and 90% load.	
Remark	<ol style="list-style-type: none"> <li>It is recommended that customer should install overvoltage and undervoltage protection devices and surge protection devices to ensure safety before connecting to electricity.</li> <li>The PC cover, housing, end caps and other parts of the LED driver inside the LED light fixture must conform to UL94-V0 flammability standard or above.</li> <li>As an accessory, the LED driver is not the only factor determining the EMC performance of the LED light fixture. The structure and the wiring of the light fixture are also relevant. Thus it's strongly recommended the LED light fixture manufacturer re-confirms the EMC of the whole LED light fixture.</li> </ol>	

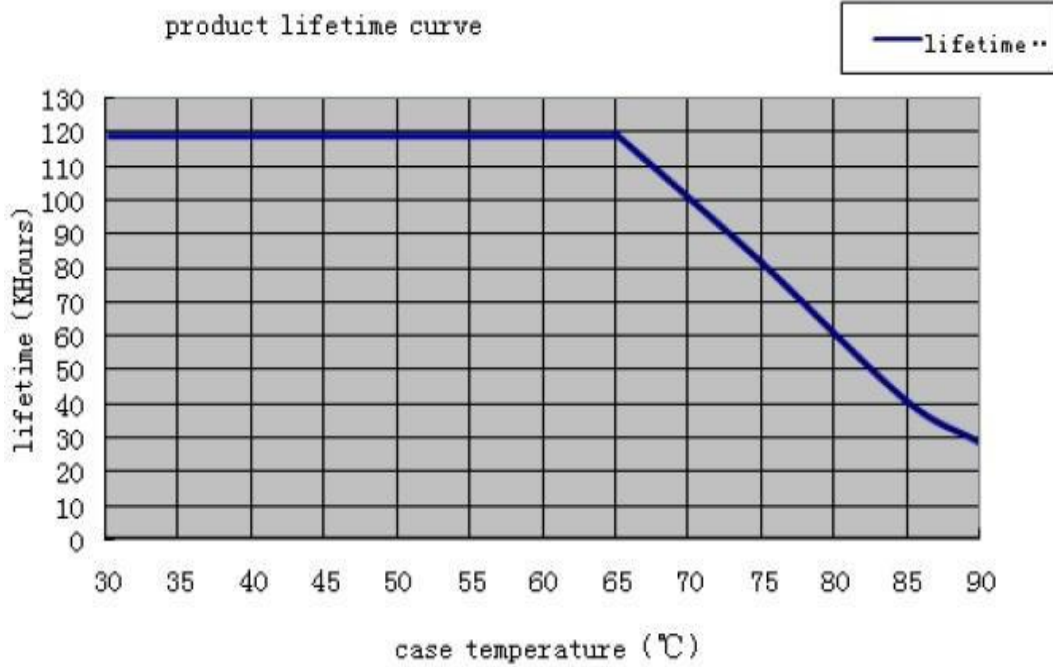
## Technical Data (2)

Model		LF-GIF040YA(H)0850H	LF-GIF040YA(H)0800H
Output	Output Voltage	33-40VDC	
	Output Current	850mA	800mA
	Ripple Voltage	≤2V	
	Current Tolerance	±5%	
	Start-up Time	230VAC ≤0.5s	
	Temperature Drift	±10%	
	Line Regulation	±5%	
	Percent Flicker	≤0.5%	
Input	Line Regulation	±5%	
	Input Voltage	220-240VAC (voltage limit: 200-264VAC)	

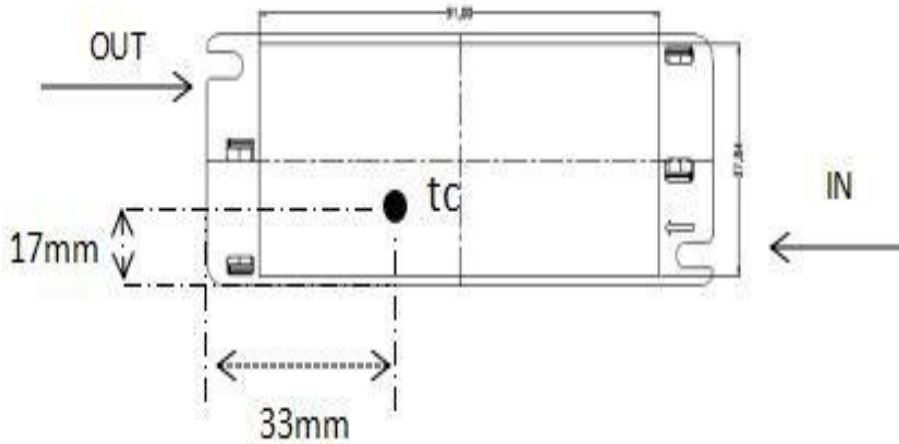
Input	Input Frequency	47Hz-63Hz	
	Input Current	0.35A Maximum	
	Power Factor	≥0.94/230VAC	≥0.93/230VAC
	Total Harmonic Distortion	≤20%	
	Efficiency	≥90%/230VAC	≥90%/230VAC
	Inrush Current	<60A/350uS @ 230VAC	
	Standby Power Consumption	≤0.3W	
Protective Feature	Open-Circuit Protection	Open-circuit voltage ≤ 55VDC	
	Short-Circuit Protection	Hiccup mode (auto-recovery)	
Environment Condition	Working Temperature	-30°C ~ +50°C	
	Working Humidity	20-90%RH (no condensation)	
	Storage Temperature/Humidity	-40°C ~ 80°C (six months under class I environment); 10-90%RH (no condensation)	
	Atmospheric Pressure	86KPa-106KPa	
Safety & Norm	Certification	ENEC, CE, CB, RCM, CCC	
	Withstand Voltage	I/P-O/P: 3.75KVAC, ≤5mA, 60s	
	Insulation Resistance	I/P-O/P: 500VDC, >100MΩ	
	Surge Rating	IEC61000-4-5 (L-N: 1KV )	
	Electromagnetic Interference	EN55015, EN61000-3-2	
	Electromagnetic Susceptibility	EN61000-4-2, 3, 4, 5, 6, 8, 11; EN61547	
Others	Package (Weight)	Carton size: 385*285*210mm (L*W*H); Weight: 0.1 Kg ±5%/pc, 8.72Kg ±5%/ctn; Quantity: 14 pcs/layer, 6 layers/ctn, 84 pcs/ctn	
	IP Rating	IP20	
	Warranty	5 years (Tc≤ 82°C)	
Testing Equipment	AC power source: CHROMA6530, digital power meter: CHROMA66202, Oscilloscope: Tektronix DPO3014, DC electronic load: M9712B, LED board, constant temperature and humidity chamber, lightning surge generator: Everfine EMS61000-5B, rapid group pulse generator: Everfine EMS61000-4A, spectrum analyzer: KH3935, hi-pot tester: TH9201B, stroboscope (flicker index tester) 60N-01, etc.		
Testing Condition	Unless otherwise stated, the parameters of the power factor, THD and efficiency are the test results under the ambient temperature of 25°C and humidity of 50%, AC input of 230V and 90% load.		
Remark	<ol style="list-style-type: none"> <li>1. It is recommended that customer should install overvoltage and undervoltage protection devices and surge protection devices to ensure safety before connecting to electricity.</li> <li>2. The PC cover, housing, end caps and other parts of the LED driver inside the LED light fixture must conform to UL94-V0 flammability standard or above.</li> <li>3. As an accessory, the LED driver is not the only factor determining the EMC performance of the LED light fixture. The structure and the wiring of the light fixture are also relevant. Thus it's strongly recommended the LED light fixture manufacturer re-confirms the EMC of the whole LED light fixture.</li> </ol>		

**Lifetime Curve**

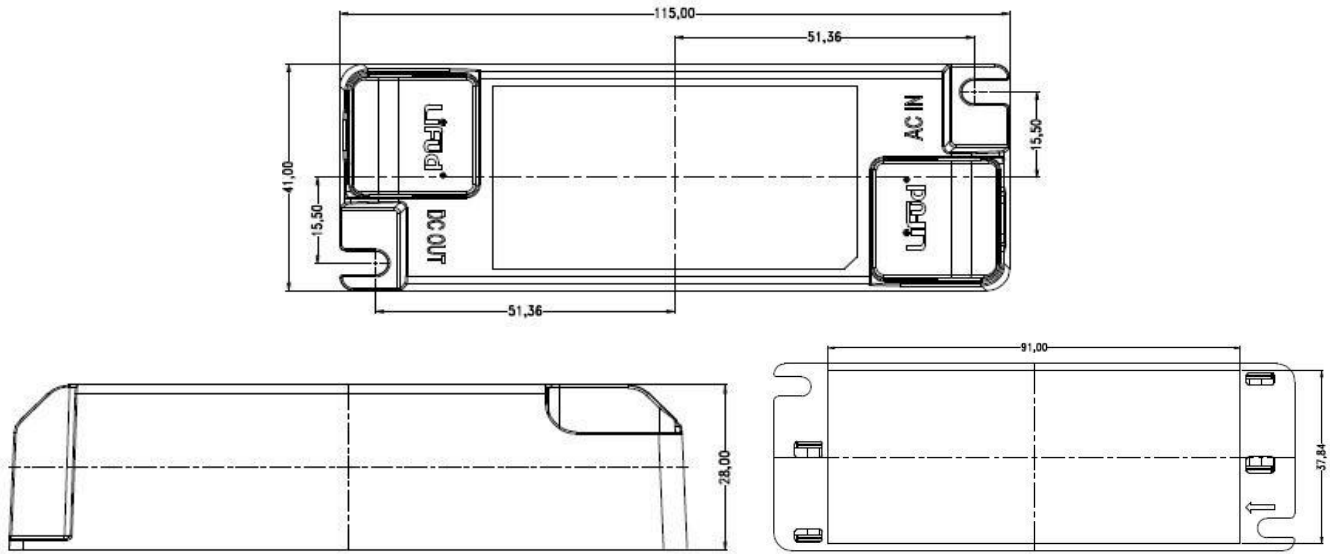
1. This curve illustrates the driver's lifetime data when its maximum casing temperature in an airtight space reaches 40°C, 50°C, 60°C, 70°C, 80°C, 85°C and 90°C.



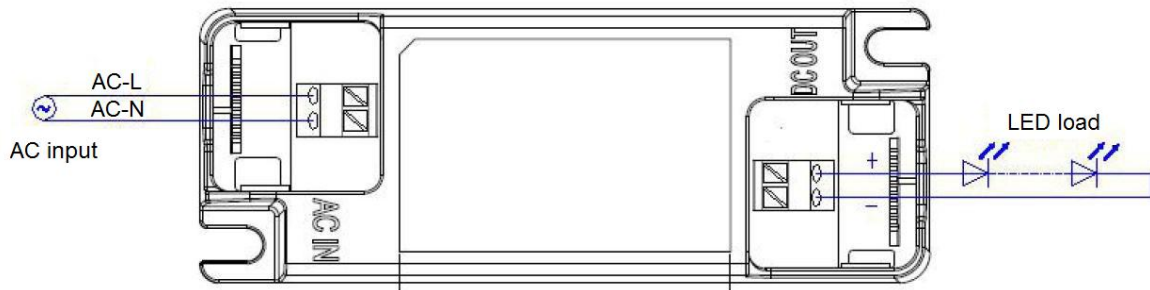
2. TC test spot at the bottom cover



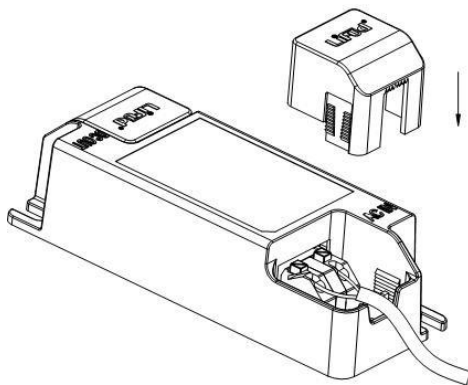
**Dimension (unit: mm, tolerance: +0.5mm )**



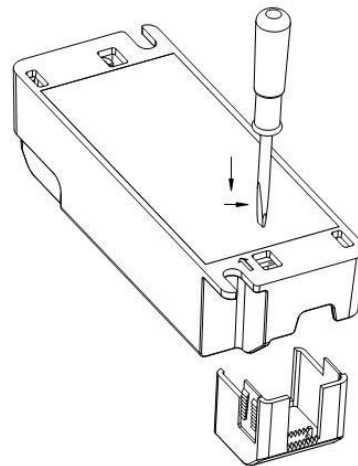
**Wiring Diagram**



**Assembly Diagram**



Assemble the dust-proof terminal cover



Disassemble the dust-proof terminal cover

Remark: The final interpretation right of the contents of this data sheet belongs to Lifud Technology Co., Ltd.