

**Driver LC 200W 24V SC SNC**

essence series 24 V – not dimmable (IP20)

**Product description**

- \_ Constant voltage LED driver
- \_ Can be either used built-in or independent with clip-on strain-relief (see data sheet chapter: 1. Standards)
- \_ Output voltage 24 V
- \_ Max. output power 200 W
- \_ Dimmable via external PWM LED dimmers attached on output side
- \_ Nominal lifetime up to 50,000 h
- \_ 5 years guarantee

**Typical applications**

- \_ Cove lighting, facade accent lighting, ceiling integration, refrigerated displays

**Technical details**

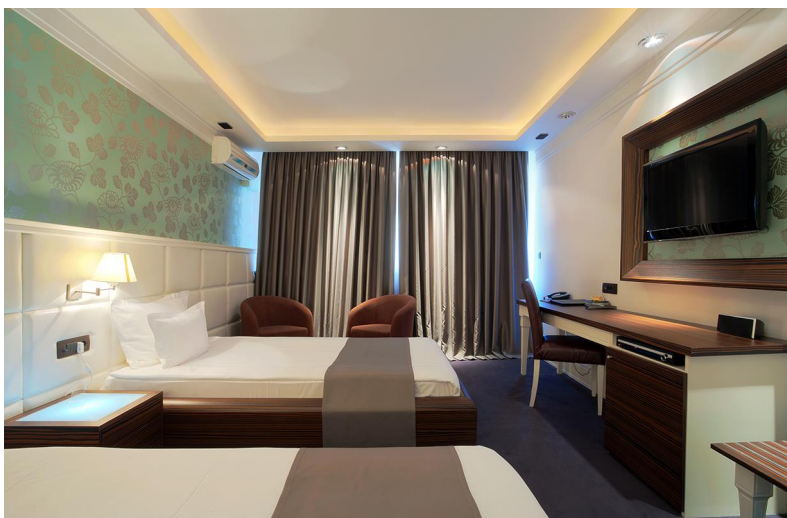
- \_ 24 V, 200 W
- \_ Small design (325 x 43 x 30 mm) with stretched-compact strain relief
- \_ Output LF voltage ripple (< 120 Hz)  $\pm 1.5\%$
- \_ Push terminals for simple wiring

**System solution**

- \_ Tridonic LLE-FLEX ADV G2 600, 1,200, 1,800 lm/m
- \_ Tridonic LLE-FLEX EXC 600, 1,200, 1,800, 2,500 lm/m
- \_ In connection with Flex accessories wire to PCB plug

**Website**

<http://www.tridonic.com/87500855>



Spotlights



Downlights



Linear



Area



Floor | Wall



Free-standing



Street



Decorative

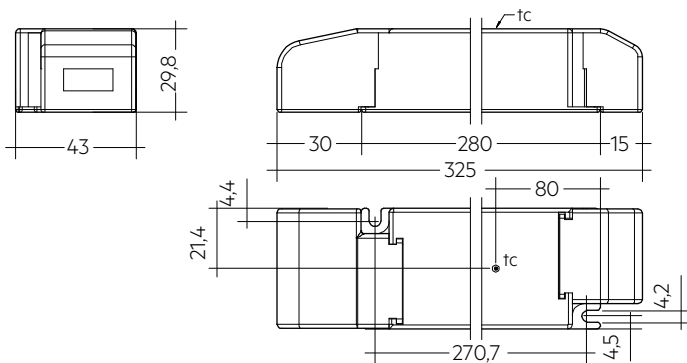


High bay

**Driver LC 200W 24V SC SNC**

essence series 24 V – not dimmable (IP20)

The complete data sheet for this product is available in the Downloads section.

**Ordering data**

Type	Article number	Packaging, carton <sup>2)</sup>	Packaging, pallet	Packaging, high volume	Weight per pc.
<b>Multi packaging</b>					
LC 200W 24V SC SNC	87500855	10 pc(s).	80 pc(s).	1,040 pc(s).	0.356 kg

**Technical data**

Rated supply voltage	220 – 240 V
AC voltage range	198 – 264 V
Mains frequency	50 / 60 Hz
Overvoltage protection	320 V AC, 1 h
Typ. rated current (at 230 V, 50 Hz, full load) <sup>1)</sup>	940 mA
Max. input power	215 W
Typ. efficiency (at 230 V, 50 Hz, full load)	93 %
$\lambda$ (at 230 V, 50 Hz, full load) <sup>1)</sup>	0.98
Typ. input current in no-load operation	87 mA
Typ. input power in no-load operation	2 W
In-rush current (peak / duration)	125 A / 121 $\mu$ s
THD (at 230 V, 50 Hz, full load) <sup>1)</sup>	< 5 %
Output P <sub>ST_LM</sub> (at full load)	$\leq$ 1
Output SVM (at full load)	$\leq$ 0.4
Starting time (at 230 V, 50 Hz, full load) <sup>1)</sup>	< 0.5 s
Turn off time (at 230 V, 50 Hz, full load)	< 0.5 s
Hold on time at power failure (output)	0 s
Output voltage tolerance	$\pm$ 1 V
Output LF voltage ripple (< 120 Hz)	$\pm$ 1.5 %
Max. output voltage (U-OUT)	25 V
Burst capability	1 kV
Mains surge capability (between L - N)	1 kV
Mains surge capability (between L/N - PE)	2 kV
Type of protection	IP20
Lifetime	up to 50,000 h
Guarantee	5 Year(s)
Dimensions L x W x H	325 x 43 x 29.8 mm

**Approval marks**

**Standards**

EN 55015, EN 61000-3-2, EN 61000-3-3, EN 61347-1, EN 61347-2-13, EN 62384, EN 61547, IEC 60335-1, IEC 60335-2-89

**Specific technical data**

Type	Load	Forward voltage	Output current	Max. Ausgangsleistung	Typ. power consumption	Typ. current consumption	tc point max.	Ambient temperature ta
LC 200W 24V SC SNC	30 %	24 V	2,500 mA	60 W	65.0 W	302 mA	70 °C	-20 ... +50 °C
LC 200W 24V SC SNC	40 %	24 V	3,333 mA	80 W	85.6 W	387 mA	70 °C	-20 ... +50 °C
LC 200W 24V SC SNC	50 %	24 V	4,167 mA	100 W	107.0 W	477 mA	70 °C	-20 ... +50 °C
LC 200W 24V SC SNC	60 %	24 V	5,000 mA	120 W	128.2 W	568 mA	75 °C	-20 ... +50 °C
LC 200W 24V SC SNC	70 %	24 V	5,833 mA	140 W	150.0 W	660 mA	75 °C	-20 ... +50 °C
LC 200W 24V SC SNC	80 %	24 V	6,667 mA	160 W	171.0 W	750 mA	75 °C	-20 ... +50 °C
LC 200W 24V SC SNC	90 %	24 V	7,500 mA	180 W	193.0 W	845 mA	80 °C	-20 ... +50 °C
LC 200W 24V SC SNC	100 %	24 V	8,333 mA	200 W	215.0 W	940 mA	80 °C	-20 ... +45 °C

① Valid at 100 % dimming level.

② The strain relief is included in both packaging variants. In the single packaging each Driver has also an individual packaging.