

**Driver LC 50W 1200mA fixC SC SNC2**

ESSENCE series

**Product description**

- \_ Fixed output LED Driver
- \_ Can be either used built-in or independent with clip-on strain-relief (see accessory)
- \_ Constant current LED Driver
- \_ Output current 1,200 mA
- \_ For luminaires of protection class I and protection class II
- \_ Temperature protection as per EN 61347-2-13 C5e
- \_ Independent LED Driver with cable clamps
- \_ Nominal life-time up to 50,000 h
- \_ 5-year guarantee

**Properties**

- \_ Casing: polycarbonate, white
- \_ Type of protection IP20

**Functions**

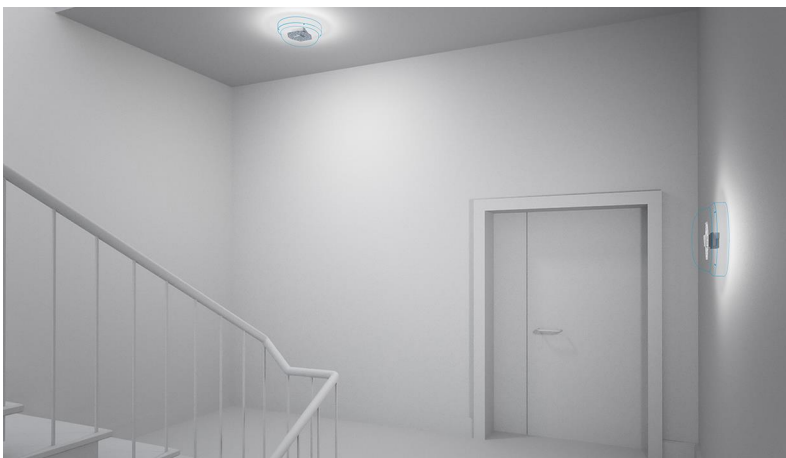
- \_ Overload protection
- \_ Short-circuit protection
- \_ No-load protection
- \_ Burst protection voltage 1 kV
- \_ Surge protection voltage 1 kV (L to N)
- \_ Surge protection voltage 2 kV (L/N to earth)

**Typical applications**

- \_ For spot light and downlight in retail and hospitality applications
- \_ For panel light and area light in office and education application

**Website**

<http://www.tridonic.com/87500766>



Spotlights



Downlights



Linear



Area



Floor | Wall



Free-standing



Street



Decorative

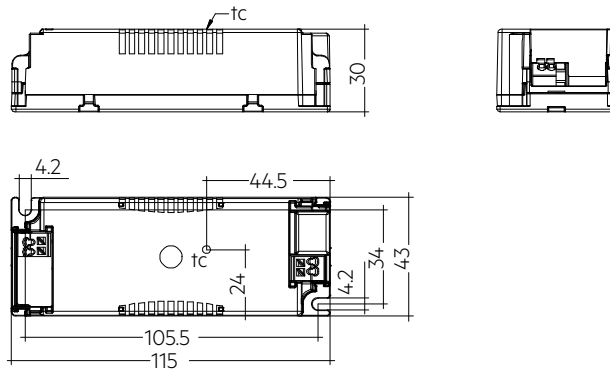


High bay

## Driver LC 50W 1200mA fixC SC SNC2

ESSENCE series

The complete data sheet for this product is available in the Downloads section.



## Ordering data

Type	Article number	Packaging, carton	Packaging, low volume	Packaging, high volume	Weight per pc.
LC 50/1200/42 fixC SC SNC2	87500766	15 pc(s).	450 pc(s).	3,600 pc(s).	0.108 kg

## Technical data

Rated supply voltage	220 – 240 V
AC voltage range	198 – 264 V
Mains frequency	50 / 60 Hz
Overvoltage protection	320 V AC, 1 h
Leakage current (at 230 V, 50 Hz, full load)	< 450 $\mu$ A
THD (at 230 V, 50 Hz, full load)	< 20 %
Output current tolerance <sup>①</sup>	$\pm$ 7.5 %
Typical output LF current ripple at full load <sup>②</sup>	$\pm$ 25 %
Turn on time (at 230 V, 50 Hz, full load)	$\leq$ 0.5 s
Turn off time (at 230 V, 50 Hz, full load)	$\leq$ 0.5 s
Hold on time at power failure (output)	0 s
Ambient temperature $t_a$	-20 ... +50 °C
Ambient temperature $t_a$ (at life-time 50,000 h)	40 °C
Storage temperature $t_s$	-40 ... +80 °C
Dimensions L x W x H	115 x 43 x 30 mm

## Approval marks

IP20 SELV      RoHS

## Standards

EN 55015, EN 61000-3-2, EN 61000-3-3, EN 61347-1, EN 61347-2-13, EN 61547, EN 60598-1, EN 62384

## Specific technical data

Type	Output <sup>①</sup> current	Input current (at 230 V, 50 Hz, full load)	Max. input power	Typ. power consumption (at 230 V, 50 Hz, full load)	Output power range	$\lambda$ at full load <sup>③</sup>	Efficiency at full load <sup>④</sup>	$\lambda$ at min. load <sup>④</sup>	Efficiency at min. load <sup>④</sup>	Min. forward voltage	Max. forward voltage	Max. output voltage (U-OUT)	Max. peak output current <sup>④</sup>	Max. casing temperature $t_c$
LC 50/1200/42 fixC SC SNC2	1,200 mA	0.26 A	55.5 W	55 W	31.2 – 50.4 W	0.95C	91%	0.9C	90 %	26 V	42 V	60 V	1,590 mA	85 °C

① Output current is mean value.

② Typical value at full load, depend on load's V-I character.

③ Test result at 230 V, 50 Hz.

④ The trend between min. and full load is linear and depend on load's V-I character.