

Driver LC 35W 24V IP67 L EXC UNV

excite series 24 V – not dimmable (IP67)



Product description

- _ Constant voltage LED driver
- _ Universal input voltage range
- _ Max. output power 35 W
- _ Nominal lifetime up to 50,000 h
- _ 5 years guarantee

Housing properties

- _ Casing: aluminium, grey
- _ Type of protection IP67
- _ Dry, damp and wet location
- _ Potted version: higher protection against corrosion

Functions

- _ Overtemperature protection
- _ Overload protection
- _ Short-circuit protection
- _ No-load protection

Website

<http://www.tridonic.com/28003295>



Spotlights



Downlights



Linear



Area



Floor | Wall



Free-standing



Street



Decorative

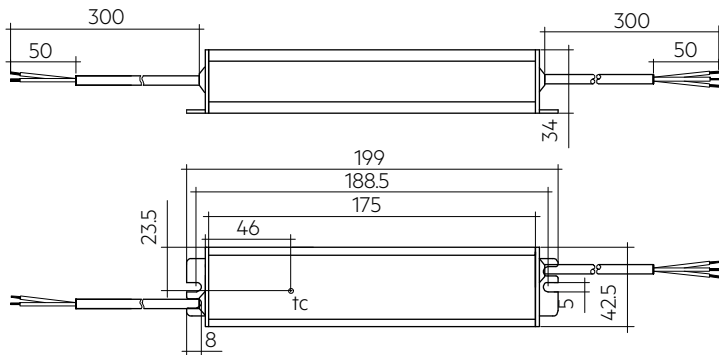


High bay

Driver LC 35W 24V IP67 L EXC UNV

excite series 24 V – not dimmable (IP67)

The complete data sheet for this product is available in the Downloads section.

**Ordering data**

Type	Article number	Packaging, carton	Packaging, pallet	Weight per pc.
LC 35 24V IP67 L EXC UNV	28003295	15 pc(s).	540 pc(s).	0.56 kg

Technical data

Rated supply voltage	100 – 277 V
AC voltage range	90 – 305 V
Mains frequency	50 / 60 Hz
Rated current (at 120 V, 60 Hz, full load)	0.5 A
Rated current (at 230 V, 50 Hz, full load)	0.5 A
Rated current (at 277 V, 60 Hz, full load)	0.2 A
Leakage current (at 120 V, 60 Hz, full load)	< 750 µA
Leakage current (at 230 V, 50 Hz, full load)	< 750 µA
Leakage current (at 277 V, 60 Hz, full load)	< 750 µA
Efficiency (at 120 V 60 Hz, full load)	> 85 %
Efficiency (at 230 V, 50 Hz, full load)	> 85 %
Efficiency (at 277 V 60 Hz, full load)	> 85 %
λ (at 120 V, 60 Hz, full load)	0.98
λ (at 230 V, 50 Hz, full load)	0.95
λ (at 277 V, 60 Hz, full load)	0.9C
Typ. input power in no-load operation	2.21 W
Output voltage tolerance	22.8 – 25.2 V
Max. output power	35 W
Output LF voltage ripple (< 120 Hz)	± 5 %
Starting time (output)	≤ 500 ms
Hold on time at power failure (output)	≤ 1 ms
Mains burst capability	1 kV
Mains surge capability (between L - N)	4 kV
Mains surge capability (between L/N - PE)	6 kV
Surge voltage at output side (against PE)	< 0.5 kV
Max. casing temperature tc	85 °C
Ambient temperature ta (at lifetime 50,000 h)	50 °C
Storage temperature ts	-40 ... +85 °C
Type of protection	IP67
Lifetime	up to 50,000 h
Guarantee	5 Year(s)
Dimensions L x W x H	175 x 31 x 42.5 mm
Hole spacing D	188.5 mm

Approval marks**Standards**

EN 55015, EN 61000-3-2, EN 61000-3-3, EN 61347-1, EN 61347-2-13, EN 62384, EN 60598-1, UL 8750

Specific technical data

Type	Load	Forward voltage	Output current	Max. output power (at full load)	Typ. power consumption n (at 120 V, 60 Hz, full load)	Typ. current consumption n (at 120 V, 60 Hz, full load)	Typ. power consumption n (at 230 V, 50 Hz, full load)	Typ. current consumption n (at 230 V, 50 Hz, full load)	Typ. power consumption n (at 277 V, 60 Hz, full load)	Typ. current consumption n (at 277 V, 60 Hz, full load)	Ambient temperature ta
LC 35 24V IP67 L EXC UNV	10 %	23.8 V	146 mA	3.5 W	5.2 W	51 mA	4.9 W	51 mA	4.8 W	52 mA	-40 ... +60 °C
LC 35 24V IP67 L EXC UNV	20 %	23.8 V	292 mA	7.0 W	9.2 W	83 mA	9.1 W	65 mA	8.9 W	69 mA	-40 ... +60 °C
LC 35 24V IP67 L EXC UNV	30 %	23.8 V	438 mA	10.4 W	13.2 W	114 mA	13.3 W	78 mA	13.1 W	83 mA	-40 ... +60 °C
LC 35 24V IP67 L EXC UNV	40 %	23.8 V	584 mA	13.9 W	17.0 W	145 mA	17.2 W	89 mA	16.8 W	90 mA	-40 ... +60 °C
LC 35 24V IP67 L EXC UNV	50 %	23.8 V	730 mA	17.4 W	20.7 W	176 mA	20.9 W	103 mA	20.7 W	102 mA	-40 ... +60 °C
LC 35 24V IP67 L EXC UNV	60 %	23.8 V	876 mA	20.8 W	24.6 W	208 mA	24.6 W	118 mA	24.6 W	111 mA	-40 ... +60 °C
LC 35 24V IP67 L EXC UNV	70 %	23.8 V	1,022 mA	24.3 W	28.4 W	239 mA	28.4 W	133 mA	28.5 W	119 mA	-40 ... +60 °C
LC 35 24V IP67 L EXC UNV	80 %	23.8 V	1,168 mA	27.8 W	32.2 W	271 mA	32.1 W	148 mA	32.2 W	130 mA	-40 ... +60 °C
LC 35 24V IP67 L EXC UNV	90 %	23.8 V	1,314 mA	31.2 W	36.1 W	303 mA	35.9 W	164 mA	36.0 W	143 mA	-40 ... +60 °C
LC 35 24V IP67 L EXC UNV	100 %	23.8 V	1,460 mA	34.7 W	40.0 W	336 mA	40.0 W	180 mA	39.8 W	156 mA	-40 ... +60 °C