

Driver LC 75W 24V IP67 L EXC UNV

excite series 24 V – not dimmable (IP67)



Product description

- _ Constant voltage LED driver
- _ Universal input voltage range
- _ Max. output power 75 W
- _ Nominal lifetime up to 50,000 h
- _ 5 years guarantee

Housing properties

- _ Casing: aluminium, grey
- _ Type of protection IP67
- _ Dry, damp and wet location
- _ Potted version: higher protection against corrosion

Functions

- _ Overtemperature protection
- _ Overload protection
- _ Short-circuit protection
- _ No-load protection

Website

<http://www.tridonic.com/28003296>



Spotlights



Downlights



Linear



Area



Floor | Wall



Free-standing



Street



Decorative

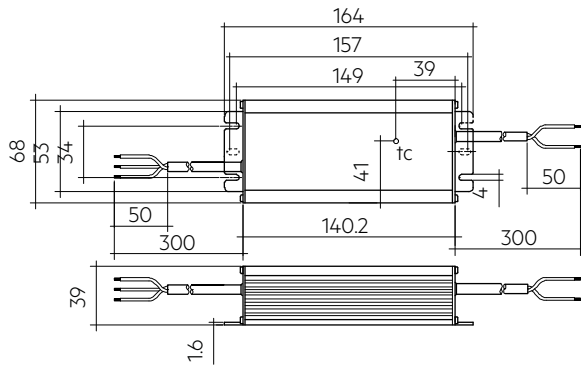


High bay

Driver LC 75W 24V IP67 L EXC UNV

excite series 24 V – not dimmable (IP67)

The complete data sheet for this product is available in the Downloads section.

**Ordering data**

Type	Article number	Packaging, carton	Packaging, pallet	Weight per pc.
LC 75 24V IP67 L EXC UNV	28003296	10 pc(s).	240 pc(s).	0.73 kg

Technical data

Rated supply voltage	100 – 277 V
AC voltage range	90 – 305 V
Mains frequency	50 / 60 Hz
Rated current (at 120 V, 60 Hz, full load)	1 A
Rated current (at 230 V, 50 Hz, full load)	1 A
Rated current (at 277 V, 60 Hz, full load)	1 A
Leakage current (at 120 V, 60 Hz, full load)	< 750 µA
Leakage current (at 230 V, 50 Hz, full load)	< 750 µA
Leakage current (at 277 V, 60 Hz, full load)	< 750 µA
Efficiency (at 120 V 60 Hz, full load)	> 84 %
Efficiency (at 230 V, 50 Hz, full load)	> 86 %
Efficiency (at 277 V 60 Hz, full load)	> 86 %
λ (at 120 V, 60 Hz, full load)	0.98
λ (at 230 V, 50 Hz, full load)	0.95
λ (at 277 V, 60 Hz, full load)	0.9C
Typ. input power in no-load operation	1.08 W
Output voltage tolerance	22.8 – 25.2 V
Max. output power	75 W
Output LF voltage ripple (< 120 Hz)	± 5 %
Starting time (output)	≤ 500 ms
Hold on time at power failure (output)	≤ 1 ms
Mains burst capability	1 kV
Mains surge capability (between L - N)	4 kV
Mains surge capability (between L/N - PE)	10 kV
Surge voltage at output side (against PE)	< 0.5 kV
Max. casing temperature tc	85 °C
Ambient temperature ta (at lifetime 50,000 h)	50 °C
Storage temperature ts	-40 ... +85 °C
Type of protection	IP67
Lifetime	up to 50,000 h
Guarantee	5 Year(s)
Dimensions L x W x H	164 x 68 x 39 mm
Hole spacing D	149 mm

Approval marks**Standards**

EN 55015, EN 61000-3-2, EN 61000-3-3, EN 61347-1, EN 61347-2-13, EN 62384, EN 60598-1, UL 8750

Specific technical data

Type	Load	Forward voltage	Output current	Max. output power (at full load)	Typ. power consumption n (at 120 V, 60 Hz, full load)	Typ. current consumption n (at 120 V, 60 Hz, full load)	Typ. power consumption n (at 230 V, 50 Hz, full load)	Typ. current consumption n (at 230 V, 50 Hz, full load)	Typ. power consumption n (at 277 V, 60 Hz, full load)	Typ. current consumption n (at 277 V, 60 Hz, full load)	Ambient temperature ta
LC 75 24V IP67 L EXC UNV	10 %	23.9 V	314 mA	7.5 W	10.3 W	95 mA	10.6 W	69 mA	10.1 W	70 mA	-40 ... +60 °C
LC 75 24V IP67 L EXC UNV	20 %	23.9 V	627 mA	15.0 W	19.3 W	168 mA	19.6 W	103 mA	19.5 W	96 mA	-40 ... +60 °C
LC 75 24V IP67 L EXC UNV	30 %	23.8 V	939 mA	22.4 W	27.4 W	234 mA	27.5 W	136 mA	27.7 W	121 mA	-40 ... +60 °C
LC 75 24V IP67 L EXC UNV	40 %	23.8 V	1,252 mA	29.9 W	35.6 W	301 mA	35.5 W	170 mA	35.9 W	161 mA	-40 ... +60 °C
LC 75 24V IP67 L EXC UNV	50 %	23.8 V	1,565 mA	37.3 W	43.8 W	369 mA	43.4 W	201 mA	43.6 W	188 mA	-40 ... +60 °C
LC 75 24V IP67 L EXC UNV	60 %	23.8 V	1,878 mA	44.8 W	52.3 W	439 mA	51.5 W	235 mA	51.6 W	208 mA	-40 ... +60 °C
LC 75 24V IP67 L EXC UNV	70 %	23.8 V	2,191 mA	52.2 W	60.8 W	509 mA	59.7 W	270 mA	59.6 W	234 mA	-40 ... +60 °C
LC 75 24V IP67 L EXC UNV	80 %	23.8 V	2,503 mA	59.7 W	69.2 W	580 mA	67.7 W	304 mA	67.6 W	259 mA	-40 ... +60 °C
LC 75 24V IP67 L EXC UNV	90 %	23.8 V	2,816 mA	67.1 W	77.8 W	651 mA	75.9 W	339 mA	75.7 W	287 mA	-40 ... +60 °C
LC 75 24V IP67 L EXC UNV	100 %	23.8 V	3,130 mA	74.5 W	86.3 W	722 mA	85.0 W	373 mA	83.8 W	316 mA	-40 ... +60 °C